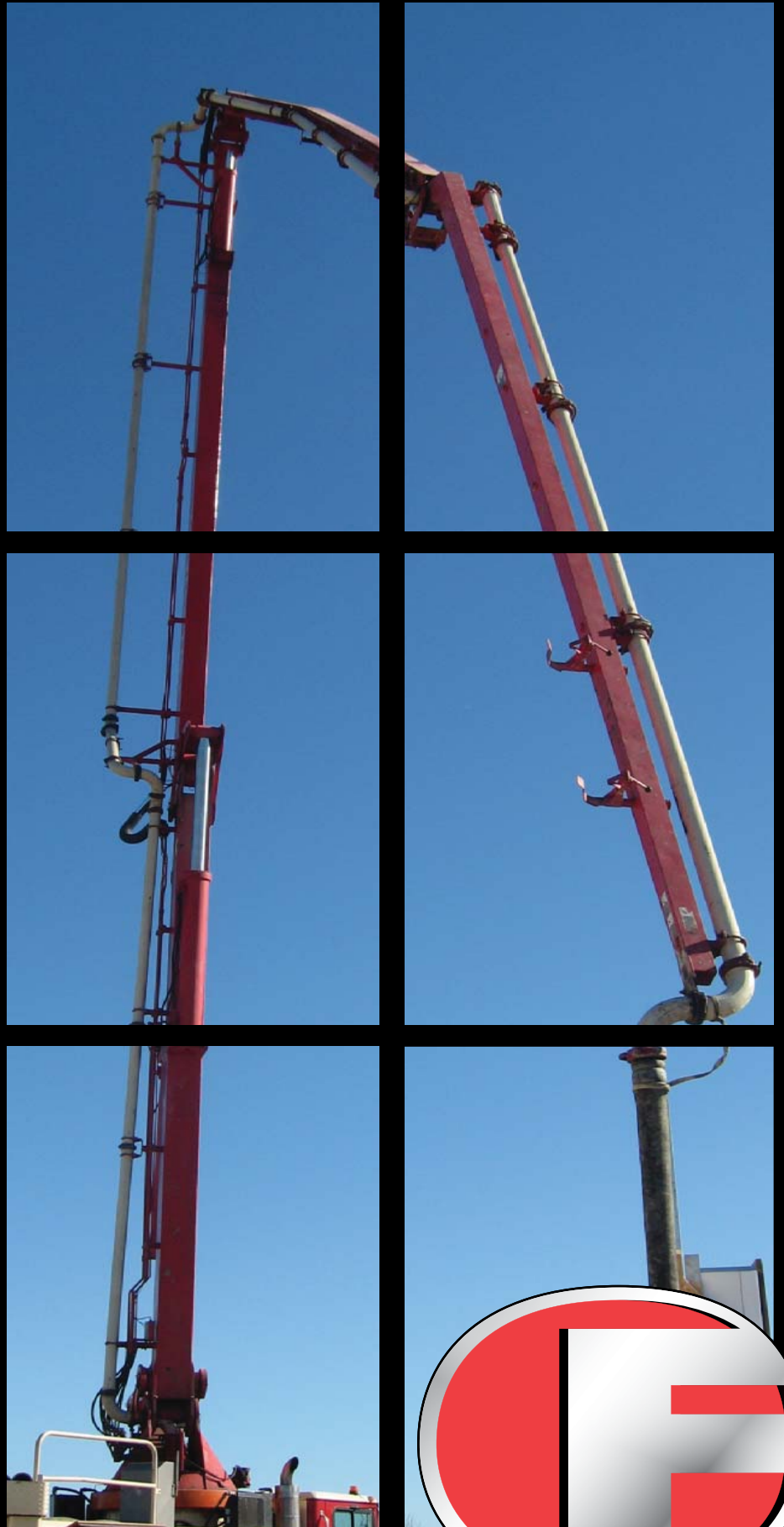


# CONFORMS



LEADING THE WAY IN CONCRETE PUMPING SYSTEMS

## Our Mission

- To be the world leader and highest quality manufacturer of concrete pumping systems and accessories.
- To be the leading provider of abrasion resistant piping systems by developing, producing and marketing engineered products and services; focusing on satisfying the needs of selected markets including concrete pumping, mining, pulp & paper, power generation, and wastewater treatment.
- To provide consistent customer service, quality products, and timely delivery resulting in total customer satisfaction.
- To maintain a motivating and safe work environment for our employees.



## About Us

For over 40 years, Construction Forms, Inc. has been a leader in the development and manufacture of concrete pumping systems and accessories. The company was founded in 1969, with the goal of engineering and producing a complete line of concrete pumping systems and accessories for the rapidly growing concrete pumping market. A dedication to excellence in product performance and customer service has positioned Con Forms as an industry leader in the U.S. and around the world. Construction Forms has grown into a worldwide presence, with headquarters in Port Washington, Wisconsin and additional locations in California, Florida, United Kingdom, Asia and South America.

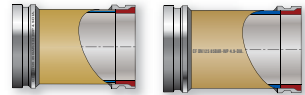
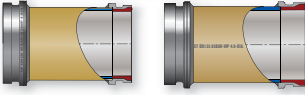



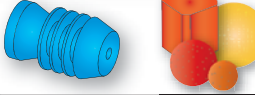
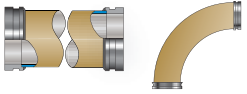
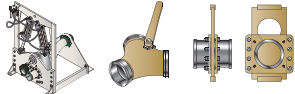


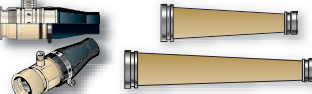
Construction Forms has remained true to its founding principles of providing the highest quality systems, customer service and on-time delivery.

## The Catalog

This catalog has been designed to help the end user with all concrete pumping system needs. Whether for a boom truck, trailer pump or lay down system or if the decision is based on performance requirements, purchase cost, or some combination . . . Con Forms has the ideal system!

Your concrete pumping system is only as strong as its parts. So be sure that every component – from the backend kit to the tip hose - is consistent Con Forms quality.



	<b>BOOM PIPE</b>	<b>Page 3-6</b>
	<b>DECK PIPE</b>	<b>Page 7-10</b>
	<b>BOOM ELBOWS</b>	<b>Page 11-13</b>
	<b>BOOM REDUCERS</b>	<b>Page 14-16</b>
	<b>BACKEND KITS</b>	<b>Page 17-20</b>
	<b>COUPLINGS &amp; ACCESSORIES</b>	<b>Page 21-24</b>
	<b>HOSE &amp; ACCESSORIES</b>	<b>Page 25-30</b>
	<b>CLEAN OUT ACCESSORIES</b>	<b>Page 31</b>
	<b>LAY DOWN SYSTEM</b>	<b>Page 32-40</b>
	<b>SYSTEM VALVES</b>	<b>Page 41-44</b>
	<b>WELD ENDS &amp; ADAPTORS</b>	<b>Page 45-46</b>
	<b>KRETE PLACERS</b>	<b>Page 47-49</b>
	<b>SMALL LINE</b>	<b>Page 50-51</b>
	<b>REFERENCE DATA</b>	<b>Page 52-54</b>

## TW/325

### PRODUCT FEATURES

Our longest lasting DN125/5 Twin-Wall™ System features a 3.25mm wear resistant pipe liner and 1.5mm steel shell, with the ends having a chrome carbide liner to protect the pipe against excessive wear

### KEY PIPE SPECIFICATIONS AT A GLANCE

Heat Treatment System	Induction Hardened DN125/5
Wall Thickness	3.25mm + 1.5mm
Hardness	Up to 68HRC
Working Pressure (max):	85 bar-1233 psi
Pipe Weight (net):	10.0 lbs/ft (14.9 kg/m)
Pipe Weight (filled with concrete):	29.5 lbs/ft (43.9 kg/m)*

Meets weight requirements for standard booms.

\*Maximum spec per industry standard CF supplies at or below this figure

### OTHER RECOMMENDED COMPONENTS

#### FOR A COMPLETE TW325 SYSTEM

- Twin-Wall™ Deck Pipe
- CCI-Lined Deck Pipe
- CCI-Lined Elbows
- CCI-Lined Reducers
- CCI-Lined Backend Kit

## TW/275

### PRODUCT FEATURES

Our most versatile DN125/5 Twin-Wall™ System features a 2.50mm wear resistant pipe liner and 2.0mm steel shell, with the ends having a hardened steel liner to protect the pipe against excessive wear

### KEY PIPE SPECIFICATIONS AT A GLANCE

Heat Treatment System	Induction Hardened DN125/5
Wall Thickness	2.5mm + 2.0mm
Hardness	Up to 68HRC
Working Pressure (max):	85 bar (1233 psi)
Pipe Weight (net):	9.7 lbs/ft (14.4 kg/m)
Pipe Weight (filled with concrete):	29.5 lbs/ft (43.9 kg/m)*

Meets weight requirements for standard booms.

\*Maximum spec per industry standard CF supplies at or below this figure

### OTHER RECOMMENDED COMPONENTS

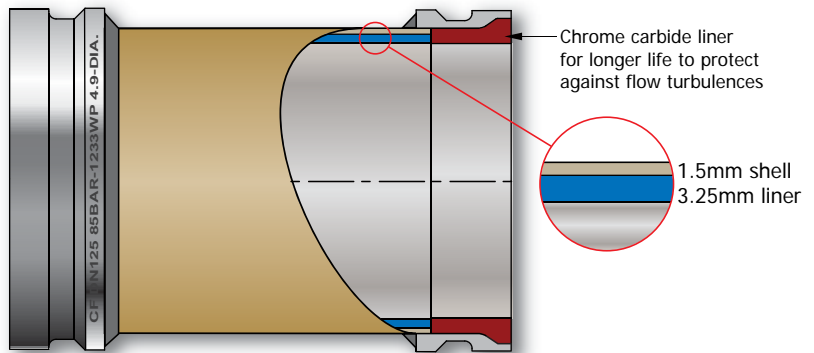
#### FOR A COMPLETE TW275 SYSTEM

- Twin-Wall™ Deck Pipe
- CCI-Lined Deck Pipe
- TW275 Elbows
- CCI-Lined Reducers
- CCI-Lined Backend Kit

### TWIN-WALL™ BOOM TUBE (3.25mm + 1.5mm) with 148mm chrome carbide insert (CCI) weld ends

Length (in)	Length (mm)	Approx. Shipping Weight (lbs. / Kg.)	Part Number
39.37	1000	37 / 17	B48TW3937M
78.75	2000	70 / 32	B48TW7875M
118.12	3000	103 / 47	B48TWB812M
157.50	4000	135 / 61	B48TWF750M
Make up length (consult factory)			B48TW____M

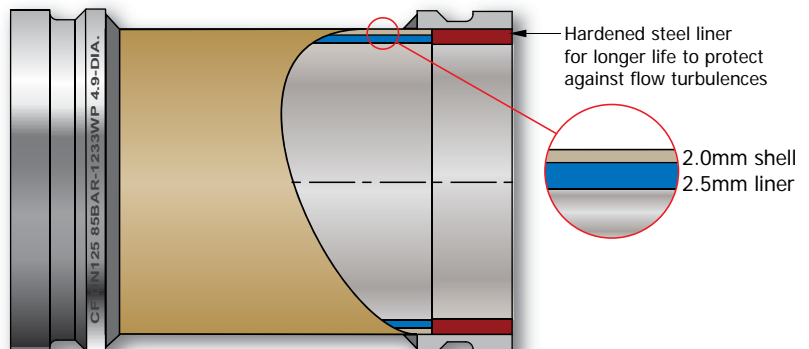
Other lengths are available upon request. Consult factory.



### TWIN-WALL™ BOOM TUBE (2.50mm + 2.0mm) with 148mm hardened steel insert weld ends

Length (in)	Length (mm)	Approx. Shipping Weight (lbs. / Kg.)	Part Number
39.37	1000	36 / 16	B48TWL3937M
78.75	2000	68 / 31	B48TWL7875M
118.12	3000	100 / 45	B48TWLB812M
157.50	4000	132 / 60	B48TWLF750M
Make up length (consult factory)			B48TWL____M

Other lengths are available upon request. Consult factory.



For additional information or to place an order, please call **800.223.3676**



# TW462

**PRODUCT FEATURES**

Our most versatile DN117/4.6 Twin-Wall™ System features a 2.5mm wear resistant pipe liner and 1.5mm steel shell, with the ends having a chrome carbide liner to protect the pipe against excessive wear.

**KEY PIPE SPECIFICATIONS AT A GLANCE**

- Heat Treatment: Induction Hardened
- System: DN117/4.6
- Wall Thickness: 2.5mm + 1.5mm
- Hardness: Up to 68HRc
- Working Pressure (max): 85 bar (1233 psi)
- Pipe Weight (net): 8.04 lbs/ft (12 kg/m)
- Pipe Weight (filled with concrete): 24.9 lbs/ft (37.0 kg/m)\*
- Meets weight requirements for 4.6 weight restricted booms.
- \*Maximum spec per industry standard
- CF supplies at or below this figure

**OTHER RECOMMENDED COMPONENTS**

**FOR A COMPLETE TW462 SYSTEM**

- Twin-Wall™ Deck Pipe
- CCI-Lined Reducers
- CCI-Lined Deck Pipe
- CCI-Lined Backend Kit
- CCI-Lined Elbows

# TW250

**PRODUCT FEATURES**

The industry's thickest liner in a DN112/4.4 Twin-Wall™ System, a 2.50mm wear resistant pipe liner and 1.5mm steel shell, with the ends having a chrome carbide liner to protect the pipe against excessive wear.

**KEY PIPE SPECIFICATIONS AT A GLANCE**

- Heat Treatment: Induction Hardened
- System: DN112/4.4
- Wall Thickness: 2.5mm + 1.5mm
- Hardness: Up to 68HRc
- Working Pressure (max): 85 bar (1233 psi)
- Pipe Weight (net): 7.8lbs/ft (11.6 kg/m)
- Pipe Weight (filled with concrete): 24.5lbs/ft (36.5 kg/m)\*
- Meets weight requirements for 4.4 weight restricted booms.
- \*Maximum spec per industry standard
- CF supplies at or below this figure

**OTHER RECOMMENDED COMPONENTS**

**FOR A COMPLETE TW250 SYSTEM**

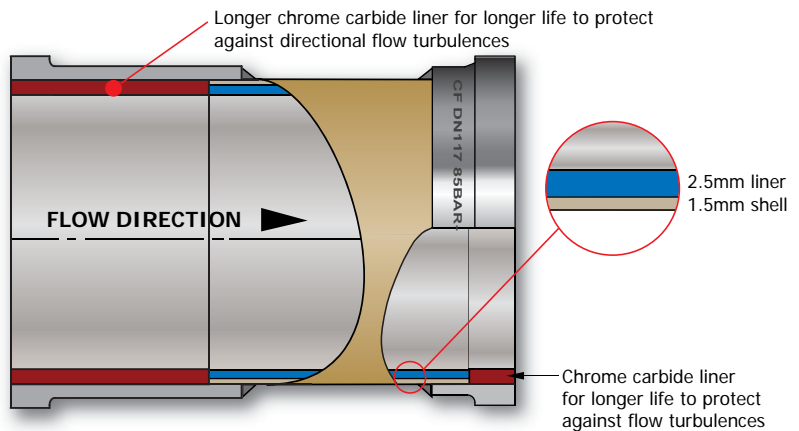
- Twin-Wall™ Deck Pipe
- CCI-Lined Reducers
- CCI-Lined Deck Pipe
- CCI-Lined Backend Kit
- CCI-Lined Elbows



**TWIN-WALL™ BOOM TUBE (2.5mm + 1.5mm) with 148mm chrome carbide insert (CCI) weld ends**

Length (in)	Length (mm)	Approx. Shipping Weight (lbs. / Kg.)	Part Number
39.37	1000	38 / 17	B46TW3937M
78.75	2000	64 / 29	B46TW7875M
118.12	3000	91 / 41	B46TWB812M
157.50	4000	117 / 53	B46TWF750M
Make up length (consult factory)			B46TW____M

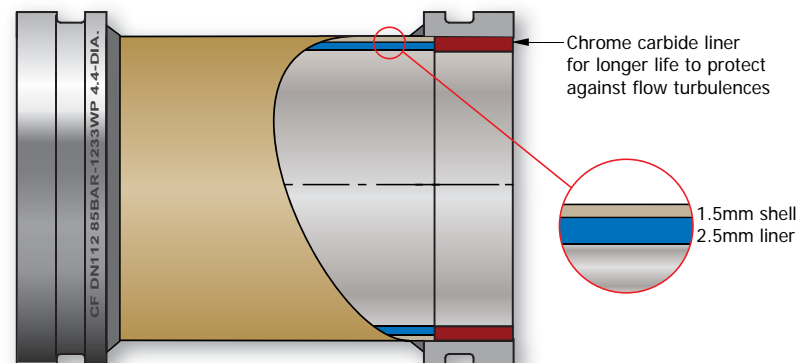
Other lengths are available upon request. Consult factory. Lengths are available without extended ends. Consult factory.



**TWIN-WALL™ BOOM TUBE (2.50mm + 1.5mm) with 148mm chrome carbide insert (CCI) weld ends**

Length (in)	Length (mm)	Approx. Shipping Weight (lbs. / Kg.)	Part Number
39.37	1000	33 / 15	B44TW3937M
78.75	2000	57 / 27	B44TW7875M
118.12	3000	84 / 38	B44TWB812M
157.50	4000	110 / 50	B44TWF750M
Make up length (consult factory)			B44TW____M

Other lengths are available upon request. Consult factory.



## ULTRA PLUS

### PRODUCT FEATURES

Our extended life single-wall system. Ultra Plus boom pipe is hardened through a multiple step heat treating process and offers CCI-lined weld ends.

### KEY PIPE SPECIFICATIONS AT A GLANCE

Heat Treatment System	Multiple step heat treating process
Wall Thickness	4.8mm/.188"
Hardness	Up to 68HRc
Working Pressure (max):	85 bar-1233 psi
Pipe Weight (net):	10.1 lbs/ft - 15 kg/m
Pipe Weight (filled with concrete):	29.5 lbs/ft - 43.9 kg/m*

\*Maximum spec per industry standard  
CF supplies at or below this figure

### OTHER RECOMMENDED COMPONENTS FOR A COMPLETE ULTRA PLUS SYSTEM

- Ultra Plus Deck Pipe
- CCI Lined Reducers
- CCI Lined Deck Pipe
- CCI Backend Kit
- CCI Lined Elbows

## ULTRA III

### PRODUCT FEATURES

Our Ultra III system, is a induction hardened single-wall pipe that utilizes CCI-lined (chrome carbide) weld ends for added pipe end protection. Ultra III systems will match up best with cast manganese elbows, backend kits and hardened steel reducers.

### KEY PIPE SPECIFICATIONS AT A GLANCE

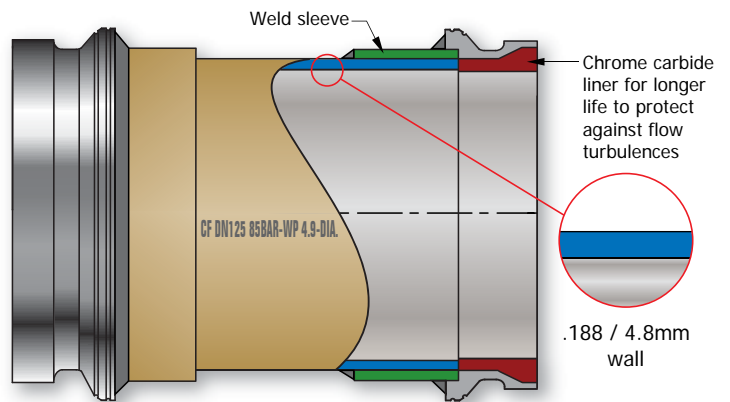
Heat Treatment System	Induction hardened
Wall Thickness	4.8mm/.188"
Hardness	Up to 57HRc
Working Pressure (max):	85 bar-1233 psi
Pipe Weight (net):	10.1 lbs/ft - 15 kg/m
Pipe Weight (filled with concrete):	29.5 lbs/ft - 43.9 kg/m*

\*Maximum spec per industry standard  
CF supplies at or below this figure

### ULTRA PLUS DN125/5 BOOM TUBE with 148mm chrome carbide insert (CCI) weld ends

Length (in)	Length (mm)	Approx. Shipping Weight (lbs. / Kg.)	Part Number
39.37	1000	37 / 17	BC573937MH
78.75	2000	70 / 32	BC577875MH
118.12	3000	103 / 47	BC57B812MH
157.50	4000	136 / 62	BC57F750MH
Make up length (consult factory)			BC57____MH

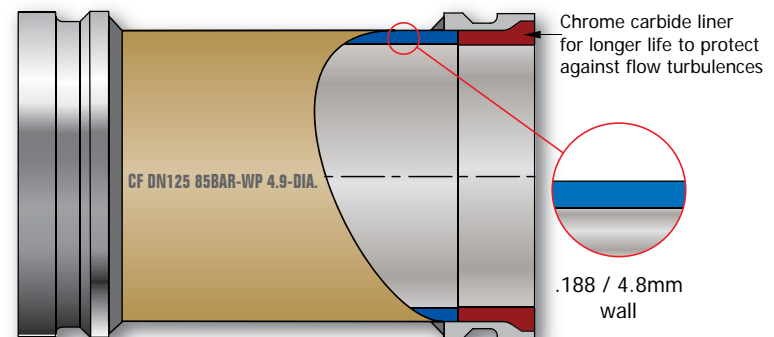
Other lengths are available upon request. Consult factory.



### ULTRA III DN125/5 BOOM TUBE with 148mm chrome carbide insert (CCI) ends

Length (in)	Length (mm)	Approx. Shipping Weight (lbs. / Kg.)	Part Number
39.37	1000	37 / 17	B4873937MH
78.75	2000	70 / 32	B4877875MH
118.12	3000	103 / 47	B487B812MH
157.50	4000	136 / 62	B487F750MH
Make up length (consult factory)			B487____MH

Other lengths are available upon request. Consult factory.



For additional information or to place an order, please call **800.223.3676**

# ULTRA II

**PRODUCT FEATURES**

Our heat treated Single Wall system, utilizing hardened steel lined weld ends with cast manganese elbows, backend kits and hardened steel reducers.

**KEY PIPE SPECIFICATIONS AT A GLANCE**

Heat Treatment System	Induction hardened DN125/5
Wall Thickness	4.8mm/.188"
Hardness	Up to 57HRc
Working Pressure (max):	85 bar (1233 psi)
Pipe Weight (net):	10.1 lbs/ft (15 kg/m)
Pipe Weight (filled with concrete):	29.5 lbs/ft (43.9 kg/m)*

\*Maximum spec per industry standard CF supplies at or below this figure

**OTHER RECOMMENDED COMPONENTS**

**FOR A COMPLETE ULTRA III & ULTRA II SYSTEMS**

- Ultra II Deck Pipe
- Cast Manganese Elbows
- Hardened Steel Reducers
- Hardened, Cast Steel Backend Kit

# XL-92

**PRODUCT FEATURES**

Standard non-heat treated Single Wall system. Not designed for demanding applications.

**KEY PIPE SPECIFICATIONS AT A GLANCE**

Heat Treatment System	Non-heat treated DN125/5
Wall Thickness	4.8mm/.188"
Hardness	None
Working Pressure (max):	85 bar (1233 psi)
Pipe Weight (net):	10.1 lbs/ft (15 kg/m)
Pipe Weight (filled with concrete):	29.5 lbs/ft (43.9 kg/m)*

\*Maximum spec per industry standard CF supplies at or below this figure

**OTHER RECOMMENDED COMPONENTS**

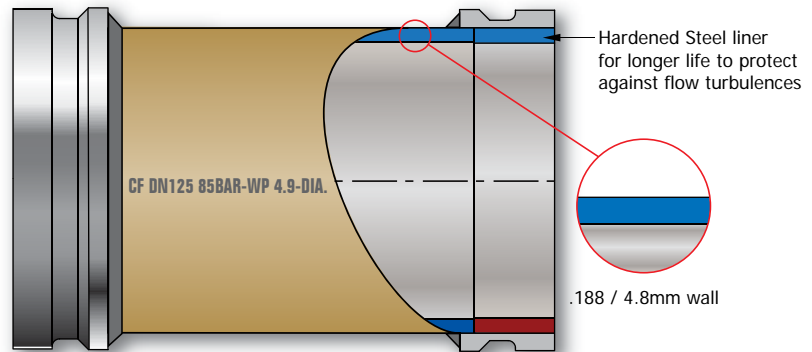
**FOR A COMPLETE XL-92 SYSTEM**

- XL-92 Deck Pipe
- Cast Manganese Elbows
- Single-wall Steel Reducers
- Hardened, Cast Steel Backend Kit

**ULTRA II DN125/5 BOOM TUBE**  
with 148mm hardened steel weld end liners.

Length (in)	Length (mm)	Approx. Shipping Weight (lbs. / Kg.)	Part Number
39.37	1000	37 / 17	B5073937MH
78.75	2000	70 / 32	B5077875MH
118.12	3000	103 / 47	B507B812MH
157.50	4000	136 / 62	B507F750MH
Make up length (consult factory)			B507___MH

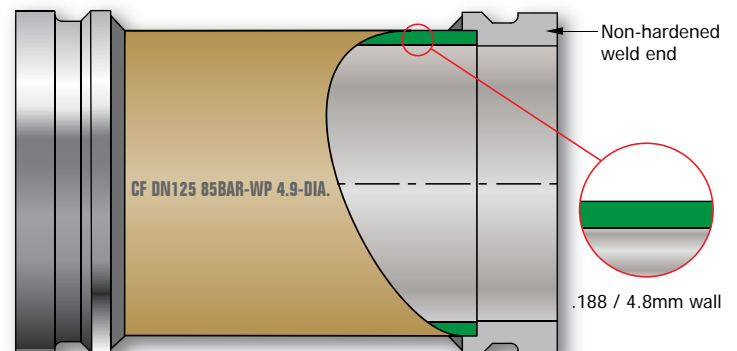
Other lengths are available upon request. Consult factory.



**XL-92 DN125/5 BOOM TUBE**  
with 148mm steel weld ends

Length (in)	Length (mm)	Approx. Shipping Weight (lbs. / Kg.)	Part Number
39.37	1000	37 / 17	B5073937M
78.75	2000	70 / 32	B5077875M
118.12	3000	103 / 47	B507B812M
157.50	4000	136 / 62	B507F750M
Make up length (consult factory)			B507___M

Other lengths are available upon request. Consult factory.



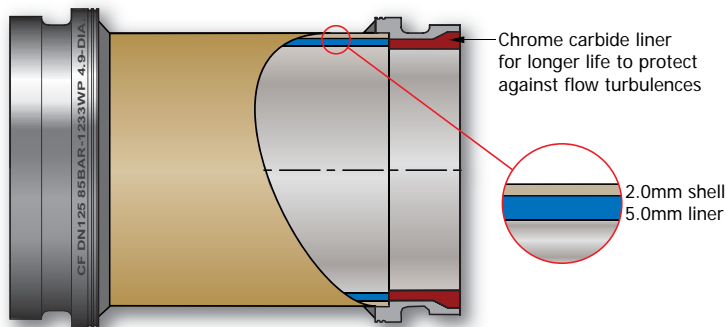
Boom Pipe



# TWIN-WALL™

## KEY PIPE SPECIFICATIONS AT A GLANCE

System / Wall Thickness:	DN150/5.7 - 5.3mm + 3.7mm DN125/4.8 - 5.0mm + 2.0mm DN117/4.6 - 5.1mm + 2.0mm DN112/4.4 - 5.3mm + 1.5mm
Hardness:	Up to 68HRc
Working Pressure (max):	85 bar (1233 psi)
Pipe Weight (net):	DN150/5.7 - 23.2lbs/ft (34.5kg/m) DN125/4.8 - 15.5lbs/ft (23.1kg/m) DN117/4.6 - 14.6lbs/ft (21.7kg/m) DN112/4.4 - 13.6lbs/ft (20.2kg/m)
Pipe Weight (Filled with Concrete):	DN150/5.7 - 50.2lbs/ft (74.7kg/m) DN125/4.8 - 37.0lbs/ft (55.1kg/m) DN117/4.6 - 32.2lbs/ft (47.9kg/m) DN112/4.4 - 29.5lbs/ft (43.9kg/m)



**TW5+2 DN125/5 DECK PIPE (shown)**

### OTHER RECOMMENDED COMPONENTS FOR A COMPLETE TWIN-WALL SYSTEM

- Twin-Wall™ Boom Pipe
- Twin-Wall™ Reducers
- Twin-Wall™ Elbows
- CCI-Lined Reducers
- CCI-Lined Backend Kit
- CCI-Lined Elbows

<b>TW5.3+3.7 DN150/6 DECK PIPE</b>			
<i>Twin-Wall pipe with chrome carbide insert (CCI) ends</i>			
Length (in)	Length (mm)	Approx. Shipping Weight (lbs. / Kg.)	Part Number
39.37	1000	87 / 40	B6XW3937M
78.75	2000	164 / 74	B6XW7875M
118.12	3000	240 / 109	B6XWB812M
157.50	4000	316 / 143	B6XWF750M
Make up length (consult factory)			B6XW____M
Other lengths are available upon request. Consult factory.			

<b>TW5+2 DN125/5 DECK PIPE</b>			
<i>Twin-Wall with 148mm chrome carbide insert (CCI) ends</i>			
Length (in)	Length (mm)	Approx. Shipping Weight (lbs. / Kg.)	Part Number
39.37	1000	53 / 24	B5XW3937M
78.75	2000	104 / 47	B5XW7875M
118.12	3000	155 / 70	B5XWB812M
157.50	4000	205 / 93	B5XWF750M
Make up length (consult factory)			B5XW____M
Other lengths are available upon request. Consult factory.			

<b>TW510 DN117/4.6 DECK PIPE</b>			
<i>Twin-Wall with 148mm chrome carbide insert (CCI) ends</i>			
Length (in)	Length (mm)	Approx. Shipping Weight (lbs. / Kg.)	Part Number
39.37	1000	48 / 22	B46XW3937M
78.75	2000	96 / 44	B46XW7875M
118.12	3000	144 / 65	B46XWB812M
157.50	4000	192 / 87	B46XWF750M
Make up length (consult factory)			B46XW____M
Other lengths are available upon request. Consult factory.			

<b>TW530 DN112/4.4 DECK PIPE</b>			
<i>Twin-Wall with 148mm chrome carbide insert (CCI) ends</i>			
Length (in)	Length (mm)	Approx. Shipping Weight (lbs. / Kg.)	Part Number
39.37	1000	51 / 23	B44XW3937M
78.75	2000	95 / 43	B44XW7875M
118.12	3000	140 / 64	B44XWB812M
157.50	4000	185 / 84	B44XWF750M
Make up length (consult factory)			B44XW____M
Other lengths are available upon request. Consult factory.			

For additional information or to place an order, please call **800.223.3676**







## CCI-LINED

### PRODUCT FEATURES

Our longest lasting deck pipe system. System features a 7.5mm chrome carbide liner and 3.0mm steel shell. The ends are designed with a chrome carbide liner for wear protection at the coupling joint. Ends are designed per pump manufacturers style.

### KEY PIPE SPECIFICATIONS AT A GLANCE

Pipe System	Chrome Carbide Lined DN150/6
Wall Thickness	7.5mm + 3.0mm
Hardness	600 to 650 Brinell
Working Pressure (max):	85 bar (1233 psi)
Pipe Weight (net):	38.3 lbs/ft (57.0kg/m)
Pipe Weight (filled with concrete):	65.3 lbs/ft (97.2kg/m)

### KEY PIPE SPECIFICATIONS AT A GLANCE

Pipe System	Chrome Carbide Lined DN125/5
Wall Thickness	7.5mm + 3.0mm
Hardness	600 to 650 Brinell
Working Pressure (max):	85 bar (1233 psi)
Pipe Weight (net):	23.8 lbs/ft (35.4kg/m)
Pipe Weight (filled with concrete):	42.2 lbs/ft (62.8kg/m)

### KEY PIPE SPECIFICATIONS AT A GLANCE

Pipe System	Chrome Carbide Lined DN117/4.6
Wall Thickness	7.6mm + 3.4mm
Hardness	600 to 650 Brinell
Working Pressure (max):	85 bar (1233 psi)
Pipe Weight (net):	22.5 lbs/ft (33.5kg/m)
Pipe Weight (filled with concrete):	39.8 lbs/ft (59.2kg/m)

### OTHER RECOMMENDED COMPONENTS FOR A COMPLETE TWIN-WALL SYSTEM

- Twin-Wall Boom Pipe
- Twin-Wall Reducers
- Twin-Wall Elbows
- CCI-Lined Reducers
- CCI-Lined Backend Kit
- CCI-Lined Elbows

### DN150/6 Chrome Carbide Lined Deck Pipe with 148mm chrome carbide insert (CCI) ends

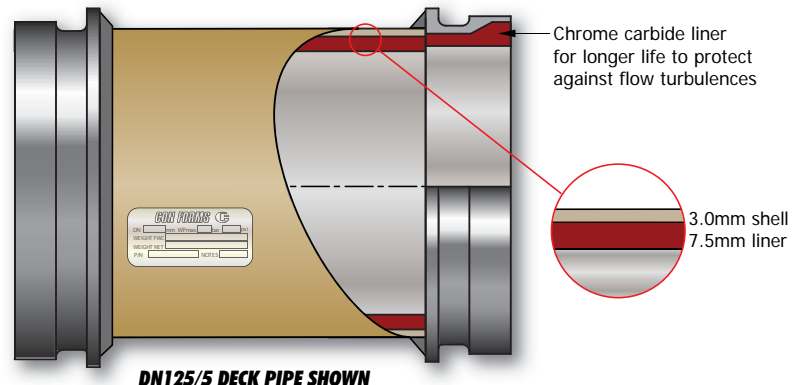
Length (in)	Length (mm)	Approx. Shipping Weight (lbs. / Kg.)	Part Number
39.37	1000	126 / 57	BCC633937_
78.75	2000	251 / 114	BCC637875_
118.12	3000	377 / 171	BCC63B812_
157.50	4000	503 / 228	BCC63F750_
Make up length (consult factory)			BCC63_____
Other lengths and weldends are available upon request. Consult factory.			

### DN125/5 Chrome Carbide Lined Deck Pipe with 148mm chrome carbide insert (CCI) ends

Length (in)	Length (mm)	Approx. Shipping Weight (lbs. / Kg.)	Part Number
39.37	1000	77 / 35	BCC543937M
78.75	2000	156 / 71	BCC547875M
118.12	3000	235 / 107	BCC54B812M
157.50	4000	314 / 142	BCC54F750M
Make up length (consult factory)			BCC54_____M
Other lengths are available upon request. Consult factory.			

### DN117/4.6 Chrome Carbide Lined Deck Pipe with 148mm chrome carbide insert (CCI) ends

Length (in)	Length (mm)	Approx. Shipping Weight (lbs. / Kg.)	Part Number
39.37	1000	74 / 34	BCC463937M
78.75	2000	148 / 67	BCC467875M
118.12	3000	221 / 100	BCC46B812M
157.50	4000	295 / 134	BCC46F750M
Make up length (consult factory)			BCC46_____M
Other lengths are available upon request. Consult factory.			



DN125/5 DECK PIPE SHOWN



## ULTRA PLUS

### PRODUCT FEATURES

Our extended life single-wall system. Ultra Plus boom and deck pipe is hardened through a multiple heat treating process and offers CCI-lined weld ends, elbows, reducers and backend kits.

### KEY PIPE SPECIFICATIONS AT A GLANCE

Heat Treatment	Multiple heat treating process
System	DN125/5
Wall Thickness (nominal)	.261/6.6mm
Hardness	Up to 68HRC
Working Pressure (max):	85 bar (1233 psi)
Pipe Weight (net):	14.2 lbs/ft (21.1 kg/m)
Pipe Weight (filled with concrete):	33.5 lbs/ft (49.8 kg/m)

### OTHER RECOMMENDED COMPONENTS FOR A COMPLETE ULTRA PLUS SYSTEM

- Ultra Plus Boom Pipe
- CCI Lined Reducers
- CCI Lined Elbows
- CCI Backend Kit

## ULTRA III

### PRODUCT FEATURES

Our heat treated single-wall system, utilizing CCI-lined weld ends with cast manganese elbows, backend kits and hardened steel reducers.

### KEY PIPE SPECIFICATIONS AT A GLANCE

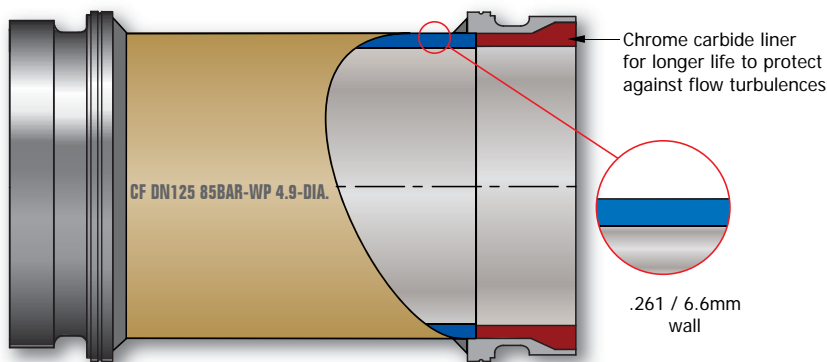
Heat Treatment	Induction hardened
System	DN125/5
Wall Thickness (nominal)	.261/6.6mm
Hardness	Up to 57HRC
Working Pressure (max):	85 bar (1233 psi)
Pipe Weight (net):	14.2 lbs/ft (21.1 kg/m)
Pipe Weight (filled with concrete):	33.5 lbs/ft (49.8 kg/m)

### OTHER RECOMMENDED COMPONENTS FOR A COMPLETE ULTRA III SYSTEM

- Ultra III Boom Pipe
- Hardened Steel Reducers
- Cast Manganese Elbows
- Hardened, Cast Steel Backend Kit

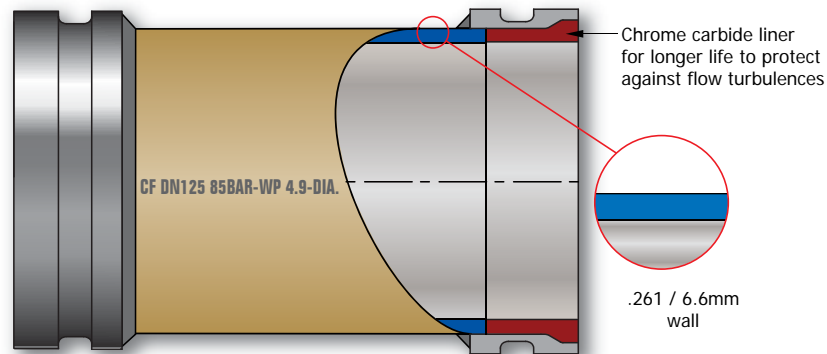
ULTRA PLUS DN125/5 DECK PIPE with 148mm chrome carbide insert (CCI) ends			
Length (in)	Length (mm)	Approx. Shipping Weight (lbs. / Kg.)	Part Number
39.37	1000	49 / 22	BC543937MH
78.75	2000	96 / 44	BC547875MH
118.12	3000	143 / 65	BC54B812MH
157.50	4000	189 / 86	BC54F750MH
Make up length (consult factory)			BC54____MH

Other lengths are available upon request. Consult factory.



ULTRA III DN125/5 DECK PIPE with 148mm chrome carbide insert (CCI) ends			
Length (in)	Length (mm)	Approx. Shipping Weight (lbs. / Kg.)	Part Number
39.37	1000	49 / 22	B4843937MH
78.75	2000	96 / 44	B4847875MH
118.12	3000	143 / 65	B484B812MH
157.50	4000	189 / 86	B484F750MH
Make up length (consult factory)			B484____MH

Other lengths are available upon request. Consult factory.



For additional information or to place an order, please call **800.223.3676**





# ULTRA II

**PRODUCT FEATURES**

Our heat treated single-wall system, utilizing hardened steel weld ends with cast manganese elbows, backend kits and hardened steel reducers.

**KEY PIPE SPECIFICATIONS AT A GLANCE**

Heat Treatment	Induction hardened
System ID	DN125/5
Wall Thickness (nominal)	.261/6.6mm
Hardness	Up to 57HRC
Working Pressure (max):	85 bar (1233 psi)
Pipe Weight (net):	14.2 lbs/ft (21.1 kg/m)
Pipe Weight (filled with concrete):	33.5 lbs/ft (49.8 kg/m)

**OTHER RECOMMENDED COMPONENTS FOR A COMPLETE ULTRA II SYSTEM**

- Ultra II Boom Pipe
- Cast Manganese Elbows
- Hardened Steel Reducers
- Hardened, Cast Steel Backend Kit

# XL-92

**PRODUCT FEATURES**

Our least expensive non-heat treated single-wall system. Not designed for demanding applications or long life requirements.

**KEY PIPE SPECIFICATIONS AT A GLANCE**

Heat Treatment	Non-hardened
System ID	DN125/5
Wall Thickness (nominal)	.261/6.6mm
Hardness	N/A
Working Pressure (max):	85 bar (1233 psi)
Pipe Weight (net):	14.2 lbs/ft ( 21.1 kg/m)
Pipe Weight (filled with concrete):	33.5 lbs/ft (49.8 kg/m)

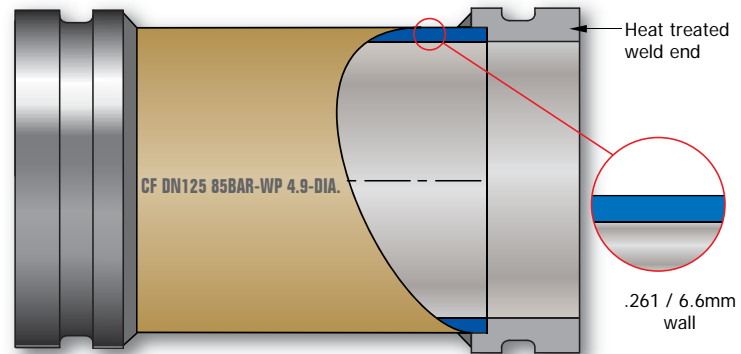
**OTHER RECOMMENDED COMPONENTS FOR A COMPLETE XL-92/ST-52 SYSTEM**

- XL-92 Boom Pipe
- Cast Manganese Elbows
- Hardened Steel Reducers
- Hardened, Cast Steel Backend Kit

**ULTRA II DN125/5 ID DECK PIPE with 148mm Hardened steel weld ends**

Length (in)	Length (mm)	Approx. Shipping Weight (lbs. / Kg.)	Part Number
39.37	1000	49 / 22	B5043937MH
78.75	2000	96 / 44	B5047875MH
118.12	3000	143 / 65	B504B812MH
157.50	4000	189 / 86	B504F750MH
Make up length (consult factory)			B504____MH

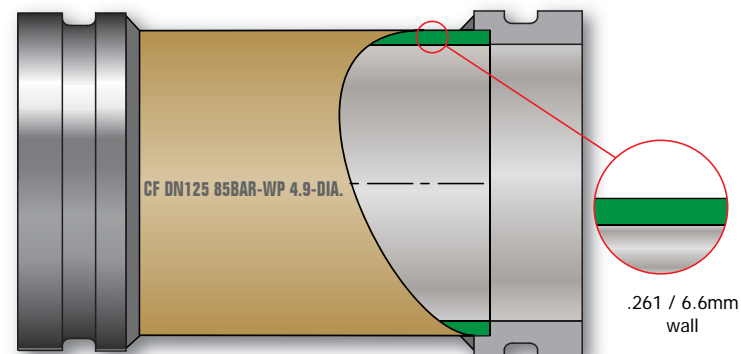
Other lengths are available upon request. Consult factory.



**XL-92 / ST52 DN125/5 ID DECK PIPE with 148mm Non-Hardened weld ends**

Length (in)	Length (mm)	Approx. Shipping Weight (lbs. / Kg.)	Part Number
39.37	1000	49 / 22	B5043937M
78.75	2000	96 / 44	B5047875M
118.12	3000	143 / 65	B504B812M
157.50	4000	189 / 86	B504F750M
Make up length (consult factory)			B504____M

Other lengths are available upon request. Consult factory.



Deck Pipe

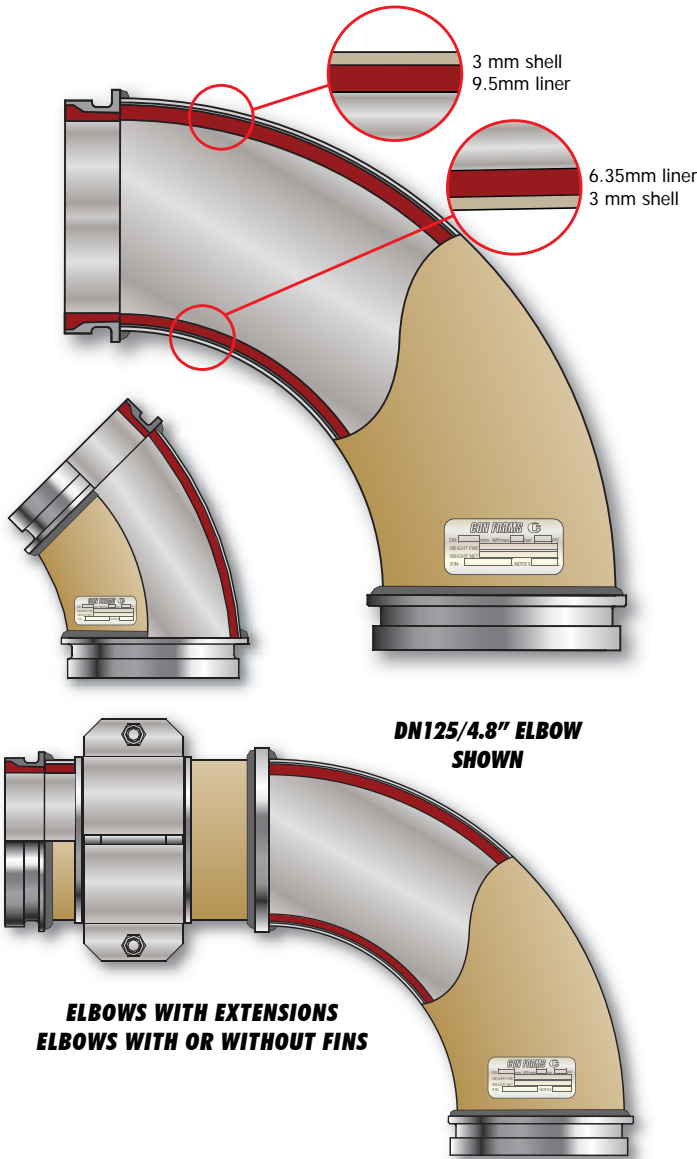


# CHROME CARBIDE LINED BOOM ELBOWS

## CCI-LINED CHROME CARBIDE LINED

### KEY PIPE SPECIFICATIONS AT A GLANCE

Elbow Liner	Chrome Carbide
System	DN125/4.8 DN117/4.6 DN112/4.4
Wall Thickness	4.8" Biased toward highest wear areas
Hardness	600 to 650 Brinell
Working Pressure (max):	85 bar (1233 psi)
Pipe Weight (net):	Varies per degree
Pipe Weight (filled with concrete):	Varies per degree



**DN125/4.8" ELBOW SHOWN**

**ELBOWS WITH EXTENSIONS  
ELBOWS WITH OR WITHOUT FINS**

### DN125/4.8" BOOM ELBOWS with 148mm chrome carbide insert (CCI) weld ends.

Degree of Angle	I.D. (in/mm)	Shipping Weight (lbs. / Kg.)	Part Number
10	4.8 / 125	8 / 3.6	265M11157
15	4.8 / 125	10 / 4.5	265M09564
20	4.8 / 125	11 / 5	265M11123
30	4.8 / 125	13 / 5.9	265M11012
32.5	4.8 / 125	17 / 7.7	265M11753
45	4.8 / 125	17 / 7.7	265M10491
90	4.8 / 125	34 / 15.4	265M09166
90	4.8 / 125 Short Radius	24 / 11	265M11158

Other degree elbows and ends are available upon request. Consult factory.

### DN125/4.8" BOOM IMPACT ELBOW

Degree of Angle	I.D. (in/mm)	Shipping Weight (lbs. / Kg.)	Part Number
90	4.8 / 125	34 / 15.4	270M09166

Other degree elbows and ends are available upon request. Consult factory.

### DN117/4.6" BOOM ELBOWS with 148mm chrome carbide insert (CCI) weld ends.

Degree of Angle	I.D. (in/mm)	Shipping Weight (lbs. / Kg.)	Part Number
15	4.6 / 117	11 / 5	265M16603
20	4.6 / 117	11.5 / 5.2	265M16447
30	4.6 / 117	13.5 / 6	265M16446
45	4.6 / 117	19 / 8.6	265M17062
90	4.6 / 117	30.5 / 13.8	265M16442

Other degree elbows and ends are available upon request. Consult factory.

### DN112/4.4" BOOM ELBOWS with 148mm chrome carbide insert (CCI) weld ends.

Degree of Angle	I.D. (in/mm)	Shipping Weight (lbs. / Kg.)	Part Number
30	4.4 / 112	13 / 6	265M16304
32.5	4.4 / 112	17 / 8	265M16387
45	4.4 / 112	16 / 7	265M12522
90	4.4 / 112	28 / 13	265M12518

Other degree elbows and ends are available upon request. Consult factory.

### OTHER RECOMMENDED COMPONENTS FOR A COMPLETE TWIN-WALL OR ULTRA PLUS SYSTEM

- Twin-Wall™ Boom Pipe or Ultra Plus Boom Pipe
- CCI Lined Deck Pipe
- Twin-Wall™ Deck Pipe
- Ultra Plus Deck Pipe
- CCI Lined Reducers
- CCI Backend Kit

For additional information or to place an order, please call **800.223.3676**





# TWIN-WALL 275

## HARDENED STEEL LINED

**KEY PIPE SPECIFICATIONS AT A GLANCE**

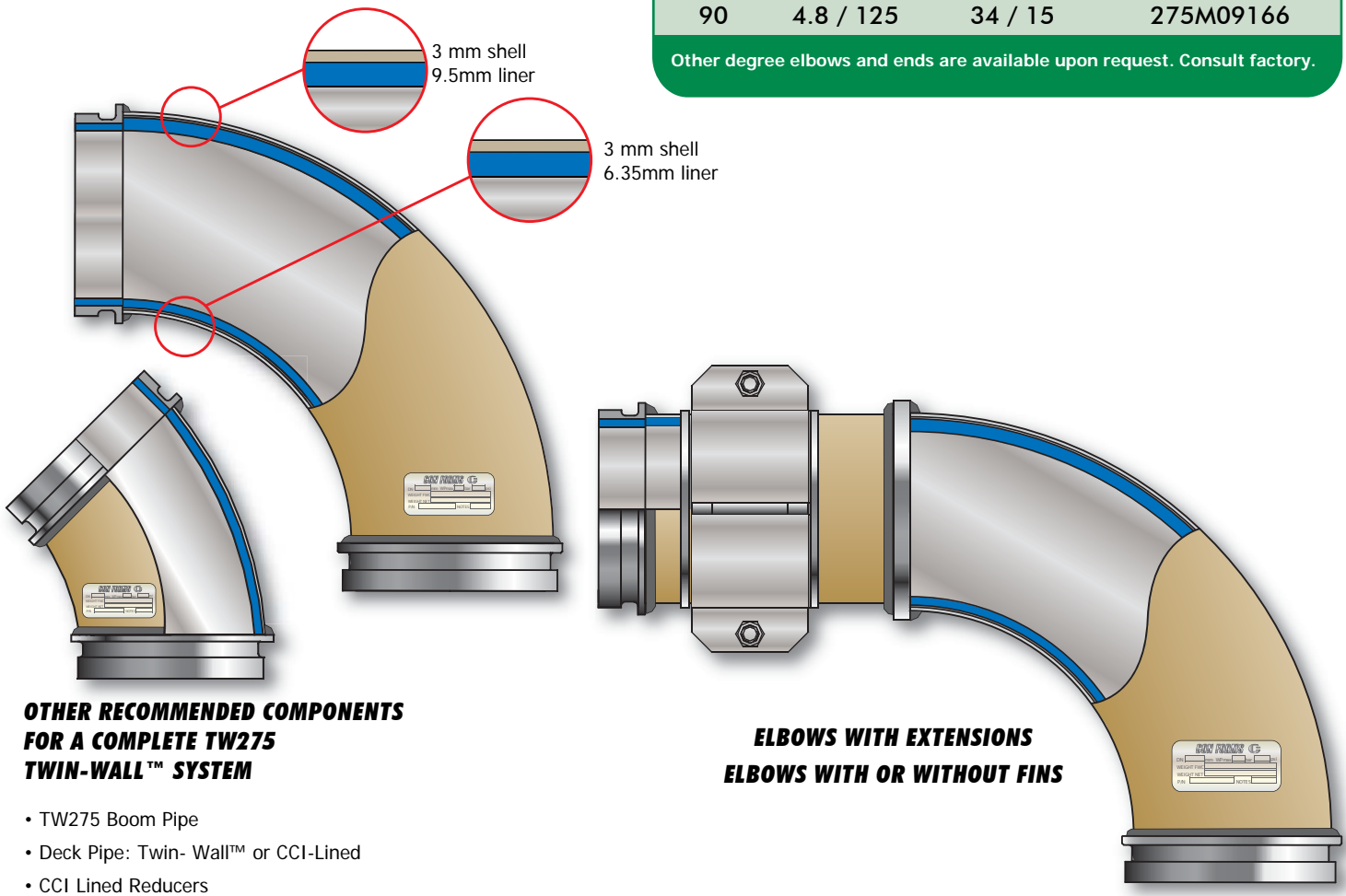
Elbow Liner	Hardened Steel
System	DN125/4.8
Wall Thickness	Biased toward highest wear areas
Hardness	Up to 55-60 HRc
Working Pressure (max):	85 bar (1233 psi)
Pipe Weight (net):	Varies per degree
Pipe Weight (filled with concrete):	Varies per degree

**DN125/4.8" ID BOOM ELBOWS  
WITH HARDENED CAST STEEL LINER  
with 148mm Hardened steel insert weld ends**

Degree of Angle	I.D. (in/mm)	Shipping Weight (lbs. / Kg.)	Part Number
10	4.8 / 125	8 / 3.6	275M11157
15	4.8 / 125	10 / 4.5	275M09564
20	4.8 / 125	11 / 5	275M11123
30	4.8 / 125	13 / 5.9	275M11012
32.5	4.8 / 125	17 / 7.7	275M11753
45	4.8 / 125	17 / 7.7	275M10491
90	4.8 / 125	34 / 15	275M09166

Other degree elbows and ends are available upon request. Consult factory.

Boom Elbows



**OTHER RECOMMENDED COMPONENTS FOR A COMPLETE TW275 TWIN-WALL™ SYSTEM**

- TW275 Boom Pipe
- Deck Pipe: Twin- Wall™ or CCI-Lined
- CCI Lined Reducers
- CCI Backend Kit
- Twin-Wall™ Reducers
- Twin-Wall™ Backend Elbows

**ELBOWS WITH EXTENSIONS  
ELBOWS WITH OR WITHOUT FINS**



## CAST MANGANESE

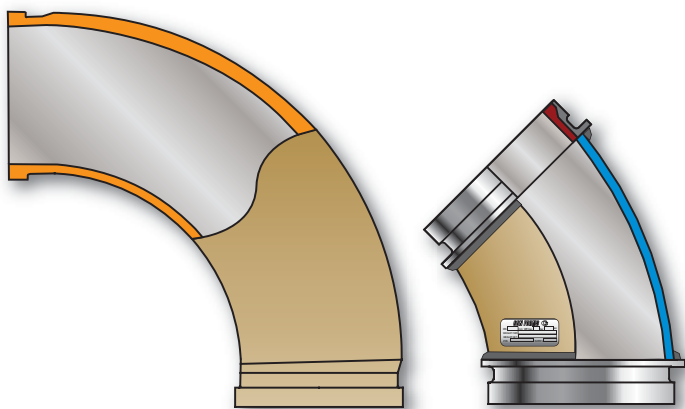
### KEY PIPE SPECIFICATIONS AT A GLANCE

Elbow Bend Angles	From 5° to 90°
System	DN125/4.8
Wall Thickness	Biased toward highest wear areas
Working Pressure (max):	85 bar (1233 psi)
Pipe Weight (net):	Varies per degree
Pipe Weight (filled with concrete):	Varies per degree

## CAST STEEL

### KEY PIPE SPECIFICATIONS AT A GLANCE

Elbow Bend Angles	From 5° to 90°
System	DN125/4.8
Wall Thickness	Biased toward highest wear areas
Hardness	40 to 45 HRc
Working Pressure (max):	85 bar (1233 psi)
Pipe Weight (net):	Varies per degree
Pipe Weight (filled with concrete):	Varies per degree



**CAST MANGANESE**  
with machined 148mm Metric ends

**CAST STEEL**  
with  
148mm Metric ends  
with CCI-inserts

### DN125/4.8" ID CAST MANGANESE BOOM ELBOWS with machined 148mm Metric ends

Degree of Angle	I.D. (in/mm)	Shipping Weight (lbs. / Kg.)	Part Number
15	4.8/125	9/4	127P09564
20	4.8/125	11/5	127P11123
30	4.8/125	11.5/5	127P11012
32.5	4.8/125	18/8.2	127P11753
45	4.8/125	18/8.2	127P11136
90	4.8/125	34/15	127P09166

Other weld ends and bend angles are available upon request.

### DN125/4.8" CAST BOOM IMPACT ELBOW

Degree of Angle	I.D. (in/mm)	Shipping Weight (lbs. / Kg.)	Part Number
90	4.8 / 125	34 / 15.4	127P17660

### DN125/4.8" ID CAST MANGANESE BOOM ELBOWS

Degree of Angle	I.D. (in/mm)	Description	Shipping Weight (lbs. / Kg.)	Part Number
90	4.8/125	Hevi-Duty ends	37/16.8	127P11050
90	4.8/125	Short Rad. / Metric ends	27/12.2	127P11158

### DN112/4.4" ID CAST MANGANESE BOOM ELBOWS with machined ends and chrome carbide inserts on ends

Degree of Angle	I.D. (in/mm)	Description	Shipping Weight (lbs. / Kg.)	Part Number
90	4.4/112	148mm ends	32/14.5	127P19140

### DN125/4.8" ID BOOM ELBOWS - HARDENED CAST STEEL with 148mm chrome carbide insert (CCI) ends

Degree of Angle	I.D. (in/mm)	Shipping Weight (lbs. / Kg.)	Part Number
15	4.8/125	10/4.5	127M09564H
20	4.8/125	11/5	127M11123H
30	4.8/125	15/7	127M11012H
32.5	4.8/125	23/10	127M11753H
45	4.8/125	19/9	127M10491H

Other weld ends and bend angles are available upon request.

### OTHER RECOMMENDED COMPONENTS FOR A COMPLETE ULTRA III, ULTRA II OR XL-92 SYSTEM

- Single wall Boom Pipe (Ultra III, II and XL92)
- Single wall Deck Pipe (Ultra III, II and XL92)
- Hardened Steel Reducers
- Hardened, Cast Steel Backend Kit



For additional information or to place an order, please call **800.223.3676**



# CCI-LINED

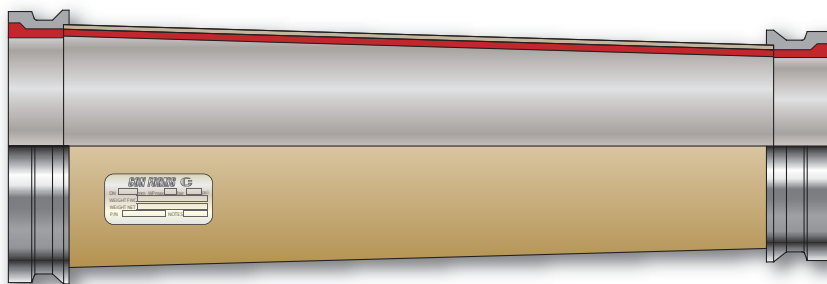
## CHROME CARBIDE LINED

### PRODUCT FEATURES

Our chrome carbide reducer with a 7mm liner and a 3.7mm shell. Weld ends having a chrome carbide liner to protect the pipe ends against excessive wear. Reducers are tagged with size, part number, weight (both dry & FWC) and working pressure.

### KEY REDUCER SPECIFICATION AT A GLANCE

Reducer	Chrome carbide lined
Hardness	600 to 650 Brinell
System ID	Varies
Weld ends	Steel with chrome carbide inserts
Weight	Varies per length
Working Pressure (max):	85 bar (1233 psi)



### D150/5.75" TO DN125/4.8" CCI-LINED REDUCER with chrome carbide insert (CCI) ends

Length (in.)	Length (mm)	Inlet End (DN150-5.75" I.D.)	Outlet End (DN125-4.8" I.D.)	Shipping Weight (lbs / Kg)	Part Number
42.13	1070	Sermac Female	Metric	102 / 46.3	120-18150
47.25	1200	Male ZX	Metric	96 / 43.5	120-11673
47.25	1200	Hevi-Duty™	Metric	96 / 43.5	120-11436
48.81	1240	Female Euro	Metric	97 / 44	120-09494
50.75	1290	Female Euro	Metric	101 / 45.8	120-14218
52.37	1330	Female Euro	Metric	104 / 47.2	120-09959
57.50	1460.5	Female Euro	Metric	114 / 51.7	120-12144
59.06	1500	Female Euro	Metric	117 / 53	120-13684
63.0	1600	Female Euro	Metric	124 / 56.2	120-11475
65.0	1650	Female Euro	Metric	127/57.6	120-13369
118.12	3000	Female Euro	Metric	239 / 108.4	120-09113

Other end styles and lengths are available upon request. Consult factory.

### D150/5.75" TO DN117/4.6" CCI-LINED REDUCER with chrome carbide insert (CCI) ends

Length (in.)	Length (mm)	Inlet End (DN150-5.75" I.D.)	Outlet End (DN117-4.6" I.D.)	Shipping Weight (lbs / Kg)	Part Number
47.25	1200	Male ZX	Metric	98 / 44.5	120-16611

Other end styles and lengths are available upon request. Consult factory.

### D125/4.8" TO DN112/4.4" CCI-LINED REDUCER with chrome carbide insert (CCI) ends

Length (in.)	Length (mm)	Inlet End (DN125-4.8" I.D.)	Outlet End (DN112-4.4" I.D.)	Shipping Weight (lbs / Kg)	Part Number
39.37	1000	Metric	Metric	75.5 / 34.2	120-11971
118.12	3000	Metric	Metric	147 / 66.7	120-13169

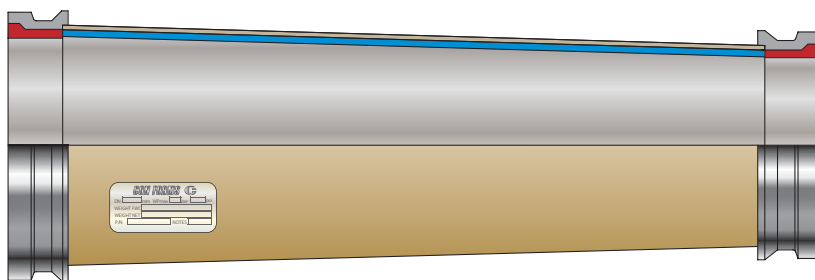
Other end styles and lengths are available upon request. Consult factory.

### OTHER RECOMMENDED COMPONENTS FOR A COMPLETE TWIN-WALL™ OR ULTRA PLUS SYSTEM

- Twin-Wall™ Boom Pipe or Ultra Plus Boom Pipe
- CCI Lined Deck Pipe or Twin-Wall™ Deck Pipe or Ultra Plus Deck Pipe
- CCI Lined Elbows
- CCI Backend Kit



# TWIN-WALL™



**PRODUCT FEATURES**

Our Twin-Wall™ reducer is produced with a through-hardened steel liner incased in a shell. Weld ends having a chrome carbide liner to protect the reducer ends against excessive wear. Reducers are tagged with size, part number, weight (both dry & FWC) and working pressure.

**KEY REDUCER SPECIFICATION AT A GLANCE**

Reducer	Twin-Wall™
Heat Treatment	Induction Hardened
System ID	DN180/7.0 DN150/5.75 DN125/4.8
Weld ends	Steel with chrome carbide inserts
Hardness	Up to 68HRc
Working Pressure (max):	85 bar (1233 psi)

**DN180/7.0" TO DN150/5.75" Twin-Wall™ REDUCERS with chrome carbide insert (CCI) ends**

Length (in)	Length (mm)	Inlet End (DN150-5.75" I.D.)	Outlet End (DN125-4.8" I.D.)	Shipping Weight (lbs. / Kg.)	Part Number
59.06	1500	Female Schwing	Schwing Metric	119 / 54	113-18003H
61.81	1570	Female Schwing	Schwing Metric	128 / 58	113-18004H
Other lengths and end styles are available upon request. Consult factory.					

**DN150/5.75" TO DN125/4.8" Twin-Wall™ REDUCERS with chrome carbide insert (CCI) ends**

Length (in)	Length (mm)	Inlet End (DN150-5.75" I.D.)	Outlet End (DN125-4.8" I.D.)	Shipping Weight (lbs. / Kg.)	Part Number
52.37	1330	Female Schwing	Metric	104 / 47	113-09959
63.0	1600	Schwing Metric	Metric	108 / 49	113-18723H
63.0	1600	Female Schwing	Metric	121/55	113-11475
65.0	1650	Female Schwing	Metric	103 / 47	113-13369
98.4	2500	Schwing Metric	Metric	129 / 59	113-18017H
Other lengths and end styles are available upon request. Consult factory.					

**OTHER RECOMMENDED COMPONENTS FOR A COMPLETE TWIN-WALL™ OR ULTRA PLUS SYSTEM**

- Twin-Wall™ Boom Pipe or Ultra plus Boom Pipe
- CCI Lined Deck Pipe or Twin-Wall™ Deck Pipe or Ultra Plus Deck Pipe
- TW275 Twin-Wall™ Elbows
- CCI Lined Elbows
- CCI Backend Kit

For additional information or to place an order, please call **800.223.3676**



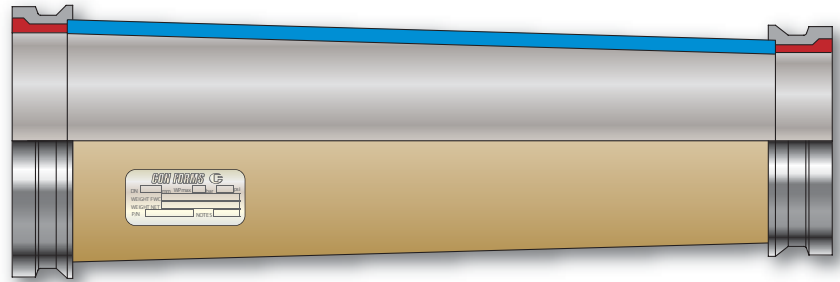




# SINGLE-WALL INDUCTION HARDENED

**PRODUCT FEATURES**

Our longest lasting single wall reducer.  
Weld ends having a chrome carbide liner to protect the ends against excessive wear.  
Reducers are tagged with size, part number, weight (both dry & FWC) and working pressure.



**KEY REDUCER SPECIFICATION AT A GLANCE**

Reducer	Hardened Steel
Heat Treatment	Induction Hardened
System ID	DN150/125
Weld ends	Steel with chrome carbide inserts
Hardness	Up to 50HRC
Working Pressure (max):	85 bar (1233 psi)

**DN150/5.75" TO DN125/4.8" HARDENED STEEL REDUCERS  
with chrome carbide insert (CCI) ends**

Length (in.)	Length (mm)	Inlet End (DN150-5.75" I.D.)	Outlet End (DN125-4.8" I.D.)	Shipping Weight (lbs / Kg)	Part Number
39.38	1000	Schwing Female	148mm	71 / 32	115-11968H
47.25	1200	Hevi-Duty™	148mm	84 / 38	115-11436H
47.25	1200	SK	148mm	86 / 39	115-10858H
47.25	1200	Male ZX	148mm	81 / 37	115-11673H
48.81	1240	Schwing Female	148mm	85 / 39	115-09494H
50.75	1290	Schwing Female	148mm	88 / 40	115-14218H
52.37	1330	Schwing Female	148mm	90 / 41	115-09959H
63.00	1600	Schwing Female	148mm	108 / 49	115-11475H
65.00	1651	Schwing Female	148mm	110 / 50	115-13369H
100.00	2540	Schwing Female	148mm	135 / 61	115-10078H
118.12	3000	Schwing Female	148mm	164 / 74	115-09113H

Other lengths and ends styles are available upon request. Consult factory.

Boom Reducers

**OTHER RECOMMENDED COMPONENTS FOR A COMPLETE ULTRA III, ULTRA II OR XL-92 SYSTEM**

- Single-Wall Boom Pipe (Ultra III, II and XL92)
- Single-Wall Deck Pipe (Ultra III, II and XL92)
- Cast Manganese Elbows
- Hardened, Cast Steel Backend Kit



## CCI-LINED PUTZMEISTER / JUN JIN

### KEY BACKEND KIT SPECIFICATIONS AT A GLANCE

**Components:**

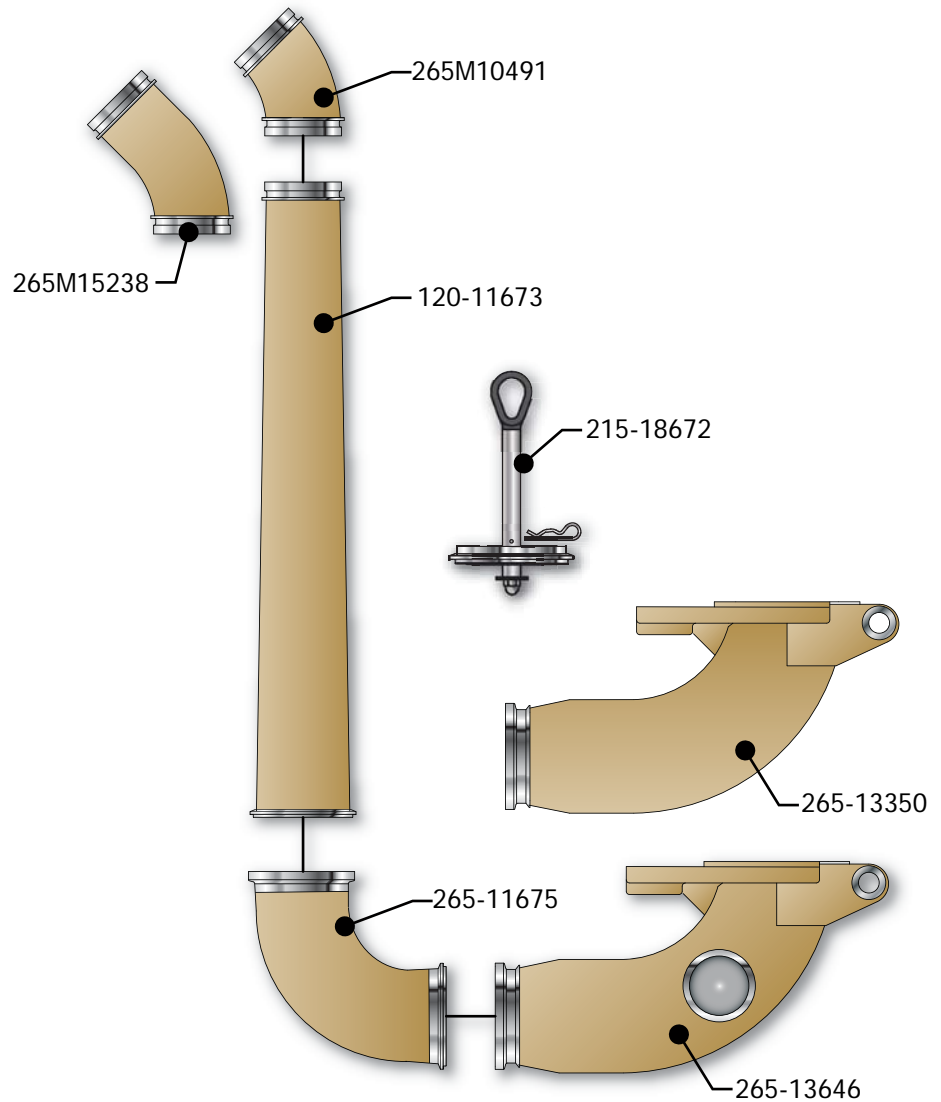
- 4.8" ID CCI lined elbow
- 5.75"-4.8" ID CCI lined reducer
- 6" 90-degree CCI lined elbow
- 7"-6" CCI lined reducing elbow

**Weld Ends**

- Steel with chrome carbide insert

### OTHER RECOMMENDED COMPONENTS FOR A COMPLETE TWIN-WALL™ OR ULTRA PLUS SYSTEM

- Twin-Wall™ Boom Pipe  
or Ultra Plus Boom Pipe
- CCI Lined Deck Pipe  
or Twin-Wall™ Deck Pipe  
or Ultra Plus Deck Pipe
- CCI Lined Elbows
- CCI Lined Reducers
- For Couplings consult factory



### PUTZMEISTER / JUN JIN BACKEND KIT

Size mm / in.	Components Description	Part Number
DN125/5 ID X 45-degree CCI Lined Elbow		265M10491
DN125/5 ID X 45-degree CCI Lined Elbow w/tangent		265M15238
DN150/6 ID x 47.25" lg. (1200mm) CCI Reducer		120-11673
DN150/6 - 90-degree CCI Lined Elbow		265-11675
DN180/7-DN150/6 CCI Lined Reducing Elbow:		
	Without Grout Port	265-13350
	With Grout Port	265-13646
DN125/5 - Adjustable Ball Stop and Grout port cap		215-18672

Other reducer lengths and end configurations are available upon request.

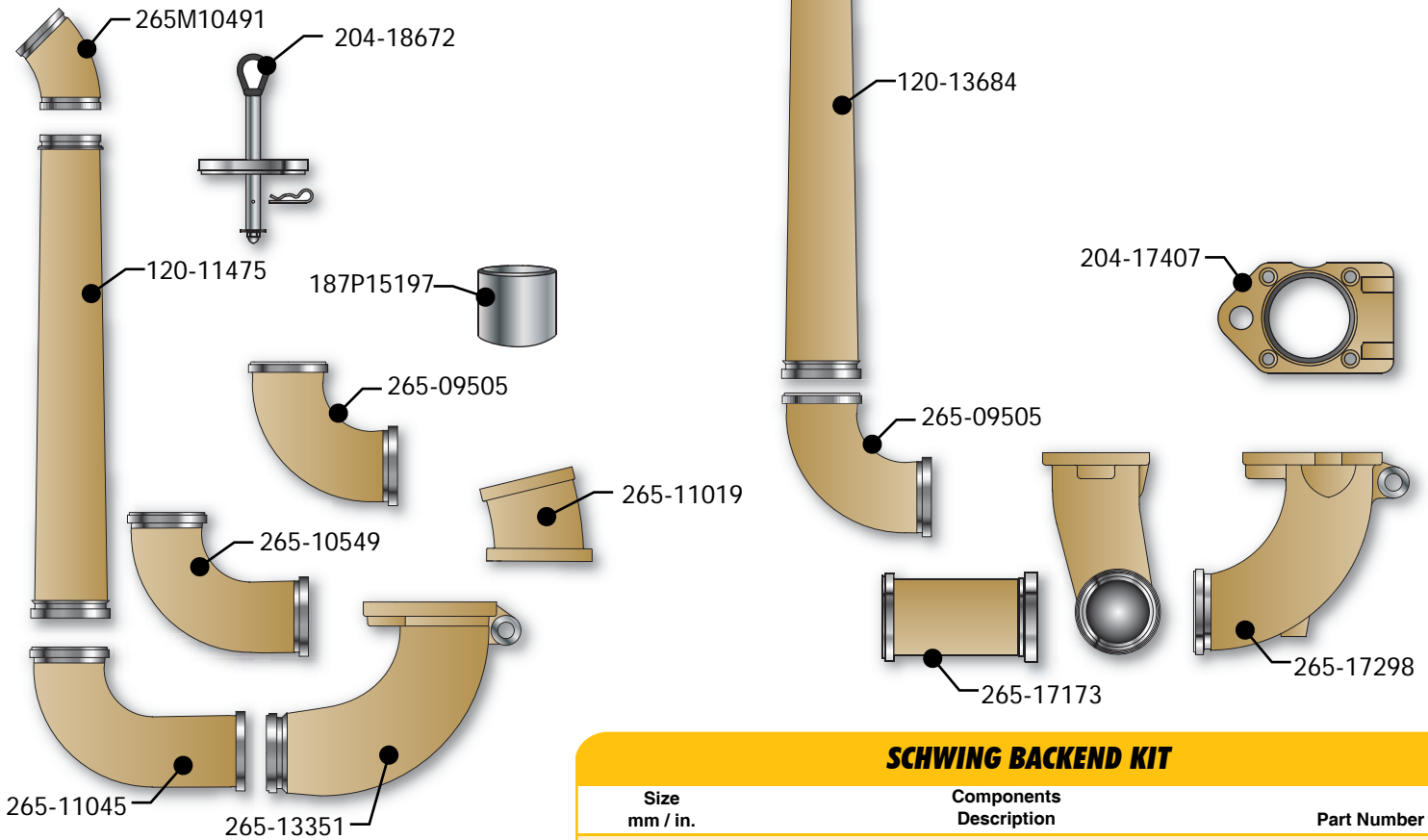
Other elbow degrees and end configurations are available upon request.

Harsh Mix configurations are available upon request. Consult factory.





# CCI-LINED SCHWING



### KEY BACKEND KIT SPECIFICATIONS AT A GLANCE

Components:

- 4.8" ID CCI lined elbow
- 5.75"- 4.8" ID CCI lined reducer
- 6" 90-degree CCI lined elbow
- 7"- 6" CCI lined reducing elbow

Weld Ends

- Steel with chrome carbide insert

### OTHER RECOMMENDED COMPONENTS FOR A COMPLETE TWIN-WALL™ OR ULTRA PLUS SYSTEM

- Twin-Wall™ Boom Pipe or Ultra Plus Boom Pipe
- CCI Lined Deck Pipe or Twin-Wall™ Deck Pipe or Ultra Plus Deck Pipe
- CCI Lined Elbows
- CCI Lined Reducers
- For Couplings consult factory

### SCHWING BACKEND KIT

Size mm / in.	Components Description	Part Number
DN125/5 ID x 45 degree	CCI-Lined Elbow	265M10491
DN150/6 - DN125/5 ID x 63"lg. (1600mm)	CCI-Lined Reducer	120-11475
DN150/6 - 90-degree CCI-Lined Elbow:	long tangent	265-11045
	short tangent	265-10549
	no tangent	265-09505
DN180/7-DN150/6	CCI-Lined Reducing Elbow	265-13351
DN180/7	14-degree CCI-Lined Hopper Elbow	265-11019
	CCI (chrome carbide insert) Rock Valve Outlet Liner	187P15197
DN150/6 - Adjustable	Ball Stop and Grout port cap	204-18672

Other reducer lengths and end configurations are available upon request.  
Other elbow degrees and end configurations are available upon request.  
Harsh Mix configurations are available upon request. Consult factory.

### SCHWING BACKEND KIT

Size mm / in.	Components Description	Part Number
DN180/7 - Hinge mount plate for 7 to 6	Elbow (127P17298)	204-17407
DN180/7 - DN150/6 - CCI-Lined Reducing Elbow w/offset		265-17298
DN150/6 - Break-out Straight section (male to female) ends		265-17173
DN150/6 - 90-degree CCI-Lined Elbow:	no tangent	265-09505
DN150/6 - DN125/5 x 59.06"lg. (1500mm)	CCI-Lined Reducer	120-13684

Backend Kits



## PUTZMEISTER / JUN JIN

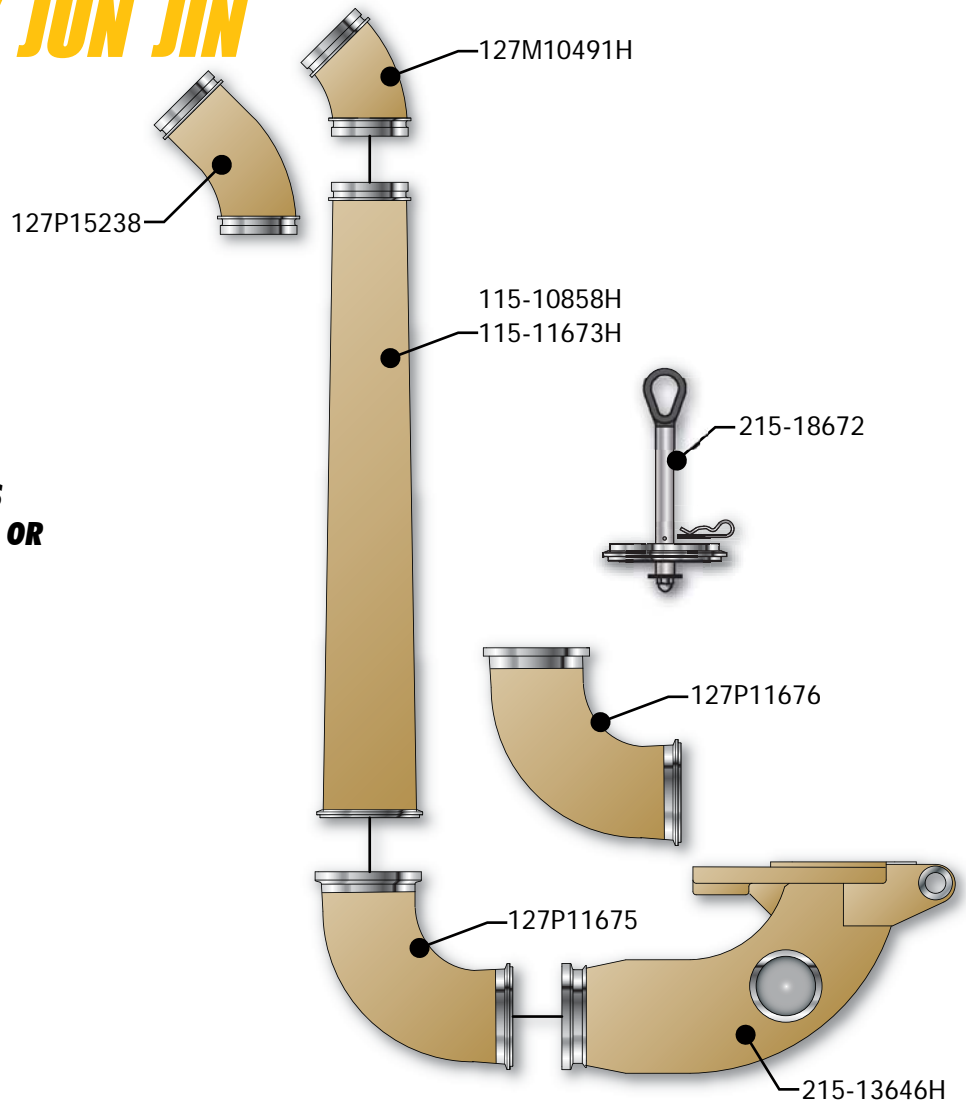
### KEY BACKEND KIT SPECIFICATIONS AT A GLANCE

Heat Treated Components:

- 4.8" ID cast steel elbow
- 4.8" ID cast manganese elbow
- 5.75"-4.8" ID steel reducer
- 6" 90-degree cast steel elbow
- 7"- 6" cast steel reducing elbow

### OTHER RECOMMENDED COMPONENTS FOR A COMPLETE ULTRA III, ULTRA II OR XL-92 SYSTEM

- Ultra III, Ultra II or XL-92 Boom Pipe
- Ultra III, Ultra II or XL-92 Deck Pipe
- Cast Manganese Elbows
- Hardened Steel Reducers
- For Couplings consult factory



### PUTZMEISTER / JUN JIN BACKEND KIT

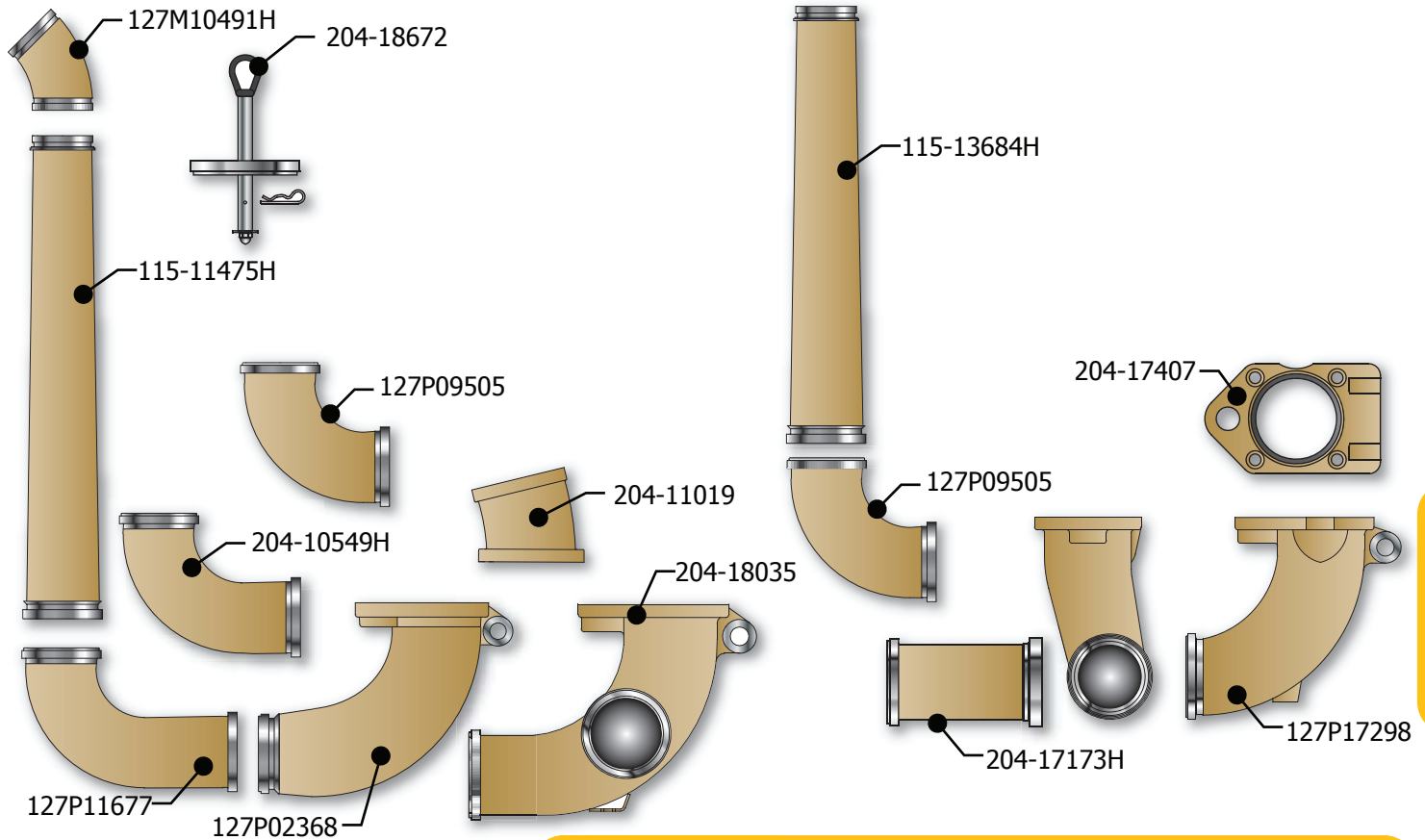
Size mm / in.	Components Description	Part Number
DN125/5 ID x 45 degree	Cast Manganese Elbow w/tangent	127P15238
DN125/5 ID x 45 degree	Cast Steel Elbow	127M10491H
DN150/5.75-DN125/5 ID x 47.25" lg. (1200mm) Steel Reducer:		
	"ZX" End	115-11673H
	"SK" End	115-10858H
DN150/6 - 90-degree Cast Steel Elbow:		
	"ZX" End	127P11675
	"SK" End	127P11676
DN180/7 - DN150/6	Cast Steel Reducing Elbow with Grout Port	215-13646H
DN125/5 - Adjustable	Ball Stop and Grout port cap	215-18672

Other reducer lengths and end configurations are available upon request.  
 Other elbow degrees and end configurations are available upon request.  
 Harsh Mix configurations are available upon request. Consult factory.





**SCHWING**



Backend Kits

**KEY BACKEND KIT SPECIFICATIONS AT A GLANCE**

Heat treated components:

- DN125/5 cast steel elbow
- DN125/5 cast manganese elbow
- DN150/125 Induction hardened reducer
- DN150/6 90-degree cast steel elbow
- DN180/150 cast steel reducing elbow

**OTHER RECOMMENDED COMPONENTS FOR A COMPLETE ULTRA III, ULTRA II OR XL-92 SYSTEM**

- Ultra III, Ultra II or XL-92 Boom Pipe
- Ultra III, Ultra II or XL-92 Deck Pipe
- Cast Manganese Elbows
- Hardened Steel Reducers
- For Couplings consult factory

**SCHWING BACKEND KIT**

Size mm / in.	Components Description	Part Number
DN125/5	x 45 degree Cast Steel Elbow	127M10491H
DN150/6 - DN125/5	x 63"lg. (1600mm) Steel Reducer	115-11475H
DN150/6 - 90-degree Cast Steel Elbow:	long tangent	127P11677
	short tangent	204-10549H
	no tangent	127P09505
DN180/7-DN150/6	Cast Steel Reducing Elbow	127P02368
DN180/7	14-degree Hopper Elbow	204-11019
DN150/6	- Adjustable Ball Stop and Grout port cap	204-18672

Other reducer lengths and end configurations are available upon request.  
 Other elbow degrees and end configurations are available upon request.  
 Harsh Mix configurations are available upon request. Consult factory.

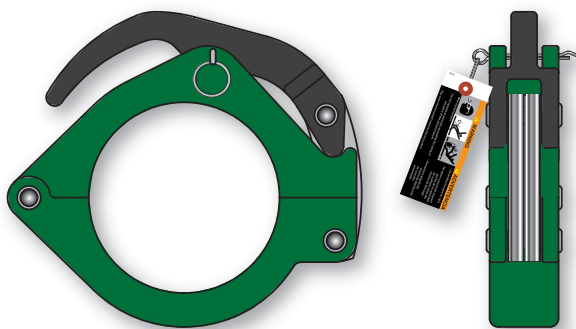
**SCHWING BACKEND KIT**

Size mm / in.	Components Description	Part Number
DN180/7	- Hinge mount plate for 7 to 6 Elbow (127P17298)	204-17407
DN180/7 - DN150/6	- Cast Steel Reducing Elbow w/offset	127P17298
DN150/6	- Break-out Straight section (male to female) ends	204-17173H
DN150/6 - 90-degree Cast Steel Elbow:	no tangent	127P09505
DN150/6 - DN125/5	x 59.06"lg. (1500mm) Steel Reducer	115-13684H



# COUPLINGS SNAP STYLE

**Solid Link, Limited Adjustment and Adjustable Couplings for Quick Release Applications**



**SOLID LINK**

## SOLID LINK NON-ADJUSTABLE SNAP COUPLINGS

Size	End Type	Working pressure bar/psi	Shipping Weight (lbs. / Kg.)	Part Number
1.5"	Hevi-Duty™	130 / 1885	3.0 / 1.4	C15SD
2"	Hevi-Duty™	85 / 1233	4.8 / 2.2	C20SD
2.5"	Hevi-Duty™	130 / 1885	5.0 / 2.3	C25SD
3"	Hevi-Duty™	130 / 1885	8.5 / 3.9	C30SDL
4"	Hevi-Duty™	130 / 1885	11.0 / 5	C40SDL
148mm (Aluminum)	Metric	85 / 1233	6.5 / 2.9	CA148SML
148mm	Metric	85 / 1233	9.2 / 4.2	C148SMLLW
148mm	Metric	85 / 1233	14.0 / 6.4	C148SML
5"	Hevi-Duty™	130 / 1885	13.8 / 6.3	C50SDL
5"	148mm/Hevi-Duty™	85 / 1233	14.0 / 6.4	C148SMD
6"	Hevi-Duty™	130 / 1885	16.0 / 7.3	C60SDL



**ADJUSTABLE LINK  
Hevi-Duty™ Shown**

## LIMITED ADJUSTMENT SNAP COUPLINGS

Size	End Type	Working pressure bar/psi	Shipping Weight (lbs. / Kg.)	Part Number
4"	Hevi-Duty™	130 / 1885	11.0 / 5	C40SDLA
5"	Hevi-Duty™	105 / 1523	13.8 / 6.3	C50SDLA
148mm	Metric	85 / 1233	14.0 / 6.4	C148SMLA



**ADJUSTABLE LINK  
148mm Shown**

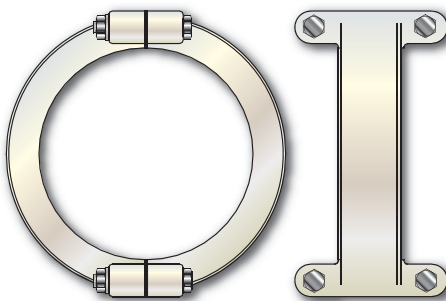
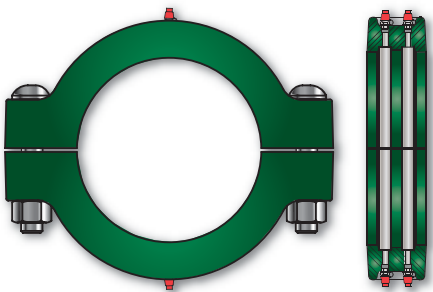
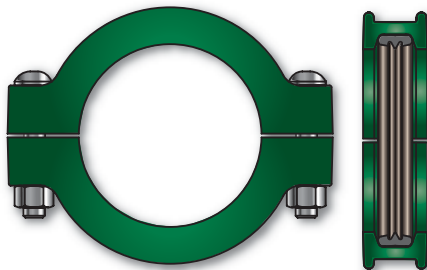
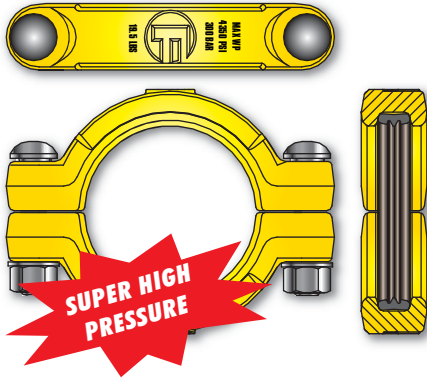
## ADJUSTABLE SNAP COUPLINGS

Size	End Type	Working pressure bar/psi	Shipping Weight (lbs. / Kg.)	Part Number
3"	Hevi-Duty™	130 / 1885	8.5 / 3.9	C30SD
4"	Hevi-Duty™	130 / 1885	11.0 / 5	C40SD
5"	Hevi-Duty™	105 / 1523	13.8 / 6.3	C50SD
148mm	Metric	130 / 1885	14.0 / 6.4	C148SM
6"	Hevi-Duty™	130 / 1885	16.5 / 7.5	C60SD
7"	Hevi-Duty™	85 / 1233	19.5 / 8.9	C70SD

Couplings & Accessories

For additional information or to place an order, please call **800.223.3676**





**TWO-BOLT SUPER HIGH PRESSURE COUPLING**  
Couplings have a working pressure of 300 bar (4351psi)  
Couplings assembled with grade 8 bolts

Size	End Type	Working pressure bar/psi	Shipping Weight(lbs./Kg.)	Part Number
5"	Hevi-Duty™	300 / 4351	19.5 / 8.8	C50BBD-HP
6"	Hevi-Duty™	300 / 4351	50 / 22.7	C60BBD-HP
6"	Schwing Male/Female	300 / 4351	50 / 22.7	C60BBEFI-HP

**STANDARD TWO-BOLT COUPLINGS**

Size	End Type	Working pressure bar/psi	Shipping Weight (lbs. / Kg.)	Part Number
3"	Hevi-Duty™	130 / 1885	7.0 / 3.2	C30BBD
4"	Hevi-Duty™	130 / 1885	13.0 / 5.9	C40BBD
5"	Hevi-Duty™	130 / 1885	15.0 / 6.8	C50BBD
148mm	Metric	85 / 1233	15.0 / 6.8	C148BBM
6"	Hevi-Duty™	130 / 1885	17.0 / 7.7	C60BBD

**THRUST WASHERS**

Size	Description	Shipping Weight (lbs. / Kg.)	Part Number
4"	Thrust Steel Washer	.6 / .3	410-17271
5"	Thrust Steel Washer	.8 / .4	410P04645
6"	Thrust Steel Washer	1.0 / .5	410P04979

**SWIVEL COUPLINGS**

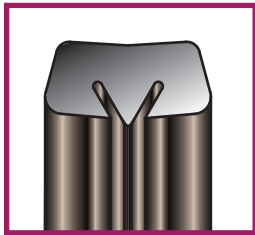
Size	End Type	Working pressure bar/psi	Shipping Weight (lbs. / Kg.)	Part Number
4"	.500" Swivel	130 / 1885	14.0 / 6.4	SW40
4"	.600" Hevi-Duty™	130 / 1885	14.0 / 6.4	DSW40
5"	.500" Swivel	130 / 1885	16.0 / 7.3	SW50
5"	.600" Hevi-Duty™	130 / 1885	16.0 / 7.3	DSW50
148mm	Metric	85 / 1233	13.5 / 6.1	CSW148BM
6"	.500" Swivel	130 / 1885	18.0 / 8.2	SW60
6"	.600" Hevi-Duty™	130 / 1885	18.0 / 8.2	DSW60

**RESTRICTED ACCESS SWIVEL COUPLINGS**

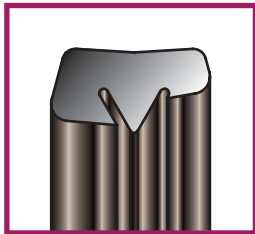
Size	End Type	Coupling Type	Working pressure bar/psi	Part Number
5"	.600" Hevi-Duty™	Socket Head 2-Bolt	130 / 1885	C50SSD
148mm	Metric	Socket Head 2-Bolt	85 / 1233	C148BBM
5"	.600" Hevi-Duty™	Hex Head 4-Bolt	130 / 1885	200-10501
148mm	Metric	Hex Head 4-Bolt	85 / 1233	550-10667

Couplings & Accessories

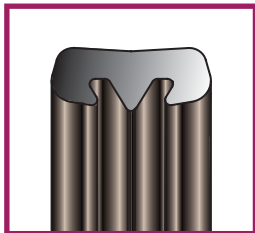




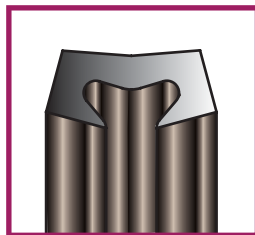
**METRIC**



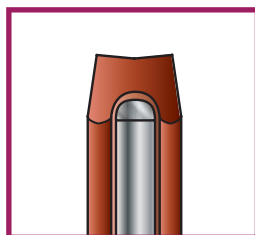
**METRIC / HEVI-DUTY™**



**HEVI-DUTY™**



**CAVITY**



**SWIVEL GASKET  
w/STEEL RING**

## GASKETS

Size	Style	Part Number
1.5	Flared	CG15J
1.5	Hevi-Duty	CG15D
2.0	Flared	CG20J
2.0	Hevi-Duty	CG20D
2.5	Hevi-Duty	CG25D
3.0	Hevi-Duty	CG30D
4.0	Hevi-Duty	CG40D
4.0	Swivel with Steel Ring	SWG40
4.0	Hevi-Duty Swivel Hard Plastic	CSWG40D
5.0	Hevi-Duty	CG50D
5.0	Hevi-Duty Cavity	CVG50D
5.0	Hevi-Duty Lubed with Tee Lip	529P09787L
5.0	Swivel with Steel Ring	SWG50
5.0	Hevi-Duty Swivel Hard Plastic	CSWG50D
6.0	Hevi-Duty	CG60D
6.0	Swivel with Steel Ring	SWG60
6.0	Hevi-Duty Swivel Hard Plastic	CSWG60D
7.0	Hevi-Duty	CG70D
8.0	Hevi-Duty	CG80DX
148mm	Metric	CG148M
148mm	Metric to Hevi-Duty	CG148MD
148mm	Metric Cavity	CVG148M
148mm	Metric Swivel Lubed	529P09346X

## GASKETS, BOX QUANTITIES

Size	Style	Units per Box	Part Number
1.5	Hevi-Duty	100	CG15D-BX
2.0	Hevi-Duty	100	CG20D-BX
2.5	Hevi-Duty	100	CG25D-BX
3.0	Hevi-Duty	100	CG30D-BX
4.0	Hevi-Duty	100	CG40D-BX
5.0	Hevi-Duty	100	CG50D-BX
6.0	Hevi-Duty	50	CG60D-BX
148mm	Metric	50	CG148M-BX
148mm	Metric Cavity	50	CVG148M-BX
148mm	Metric Swivel Lubed	50	529P09346X-BX

Size	Style	Part Number
5/125	Putzmeister ZX style O-Ring	215P16430
6/150	Putzmeister ZX style O-Ring	215P17865
5/125	Schwing Male/Female style D-Ring	CG50EF
6/150	Schwing Male/Female style D-Ring	CG60EF



For additional information or to place an order, please call **800.223.3676**



**COUPLING HARDWARE REPAIR KITS - TWO-BOLT COUPLINGS**

Size (in./mm)	End Type	Kit Part Number	Contents of Kit
3/76	Hevi-Duty™	CB30BBD	(1) Bolt, (1) Nut
4/102	Hevi-Duty™	CB40BBD	(1) 040P04139 Bolt, (1) 040P07870 Nut
5/125	Hevi-Duty™	CB50BBD	(1) 040P04139 Bolt, (1) 040P07870 Nut
6/152	Hevi-Duty™	CB60BBD	(1) 040P04139 Bolt, (1) 040P07870 Nut

**REPLACEMENT HANDLE KITS - SNAP COUPLINGS (ALL TYPES)**

Size (in./mm)	End Type	Kit Part Number	Contents of Kit
1.5/38	Hevi-Duty™	CH15SD	(1) 403P10603 Handle, (1) 040P04738 Pin
2/51	Hevi-Duty™	CH20SD	(1) 403P01503 Handle, (1) 040P04665 Pin
2.5/63.5	Hevi-Duty™	CH25SD	(1) 403P01503 Handle, (1) 040P04739 Pin
3/76	Hevi-Duty™	CH30SD	(1) 403P05596 Handle, (1) 040P04662 Pin
4/102	Hevi-Duty™	CH40SD	(1) 403P01506 Handle, (1) 040P06322 Pin
5/125	Hevi-Duty™	CH50SD	(1) 403P01508 Handle, (1) 040P06322 Pin
148mm	Metric	CH148SM	(1) 403P01507 Handle, (1) 040P04663 Pin
6/152	Hevi-Duty™	CH60SD	(1) 403P01508 Handle, (1) 040P04663 Pin
7/180	Hevi-Duty™	CH70SD	(1) 403P01509 Handle, (1) 040P06975 Pin

**REPLACEMENT SNAP HANDLE SAFETY PINS - SNAP COUPLINGS (ALL TYPES)**

Size (in./mm)	End Type	Kit Part Number	Contents of Kit
1.5/38	All	HAIRPIN	(1) Hairpin Clip, (1) Warning Label
2/51	All	HAIRPIN	(1) Hairpin Clip, (1) Warning Label
2.5/63.5	All	HAIRPIN	(1) Hairpin Clip, (1) Warning Label
3/76	All	SAFETYPINS (short)	(1) Clinch Pin, (1) Key Ring, (1) Warning Label
4/102	All	SAFETYPINL (long)	(1) Clinch Pin, (1) Key Ring, (1) Warning Label
5/125	All	SAFETYPINL	(1) Clinch Pin, (1) Key Ring, (1) Warning Label
6/152	All	SAFETYPINL	(1) Clinch Pin, (1) Key Ring, (1) Warning Label
7/180	All	SAFETYPINL	(1) Clinch Pin, (1) Key Ring, (1) Warning Label

**COUPLING HARDWARE REPAIR KITS - SOLID LINK NON-ADJUSTABLE SNAP COUPLINGS**

Size (in./mm)	End Type	Kit Part Number	Contents of Kit
1.5/38	Hevi-Duty™	CB15SD	(2) 500P01519 Links, (1) 040P04738 Pin
2/51	Hevi-Duty™	CB20SD	(2) 500P01518 Links, (1) 040P04739 Pin
2.5/63.5	Hevi-Duty™	CB25SD	(2) 500P01518 Links, (2) 040P04739 Pin
3/76	Hevi-Duty™	CB30SDL	(2) 401-11176 Links, (2) 500-11112 Spacers, (2) 040P04662 Pins
4/102	Hevi-Duty™	CB40SDL	(2) 500-11184 Links, (2) 040P06322 Pins
5/125	Hevi-Duty™	CB50SDL	(2) 500-11177 Links, (2) 040P06322 Pins
148mm	Metric	CB148SML	(2) 500-11177 Links, (2) 040P06322 Pins
6/152	Hevi-Duty™	CB60SDL	(2) 500-11196 Links, (2) 040P07819 Pins

**COUPLING HARDWARE REPAIR KITS - LIMITED ADJUSTMENT SNAP COUPLINGS**

Size (in./mm)	End Type	Kit Part Number	Contents of Kit
4/102	Hevi-Duty™	CB40SDLA	(1) 500-10193 Bolt & Nut, (2) 040P06322 Pins
5/125	Hevi-Duty™	CB50SDLA	(1) 500-09502 Bolt & Nut, (2) 040P06322 Pins
148mm	Metric	CB148SMLA	(1) 500-09502 Bolt & Nut, (2) 040P06322 Pins

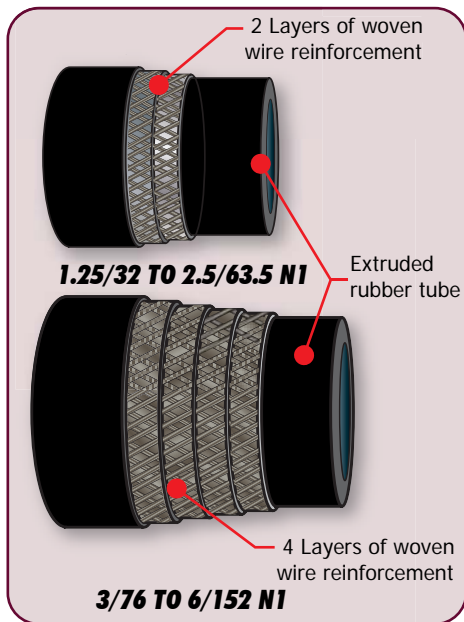
**COUPLING HARDWARE REPAIR KITS - ADJUSTMENT SNAP COUPLINGS**

Size I.D. (in./mm)	End Type	Kit Part Number	Contents of Kit
3/76	Hevi-Duty™	CB30SD	(1) 401P01516 Nut, (1) 400P08314 Bolt, (2) 040P04662 Pins
4/102	Hevi-Duty™	CB40SD	(1) 401P05138 Nut, (1) 400P01511 Bolt, (2) 040P06322 Pins
148mm	Metric	CB148SM	(1) 401P05138 Nut, (1) 400P01512 Bolt, (2) 040P06322 Pins
5/125	Hevi-Duty™	CB50SD	(1) 401P05138 Nut, (1) 400P01512 Bolt, (2) 040P06322 Pins
6/152	Hevi-Duty™	CB60SD	(1) 401P05138 Nut, (1) 400P01512 Bolt, (2) 040P07819 Pins
7/180	Hevi-Duty™	CB70SD	(1) 401P01515 Nut, (1) 400P01512 Bolt, (2) 040P04663 Pins



# BOOM AND DISCHARGE HOSE

## KEY PRODUCT FEATURES



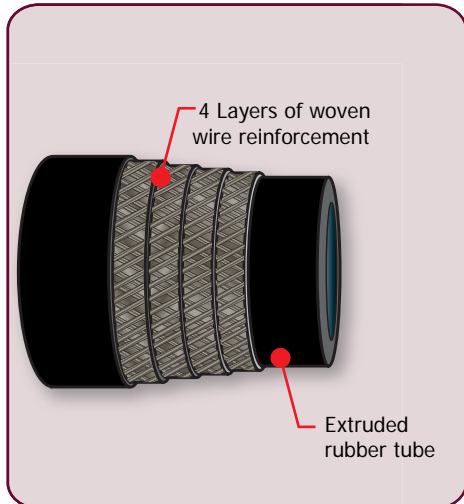
## N1 DISCHARGE HOSE (TRELLEBORG)

### Branding

**TRELLEBORG PULSOR 125**

Size in. mm	Mfg. Min. Burst (bar / psi)	Working Pressure (bar / psi)	Shipping Weight (lbs / kg.) ft.	F.W.C. (lbs / kg.) ft.	Part Number
1-1/4 32	200 / 2940	70 / 1000	0.6 / .27	1.9 / .9	H12N1___K
1-1/2 38	200 / 2940	70 / 1000	0.8 / .36	2.7 / 1.2	H15N1___K
2 51	200 / 2940	70 / 1000	1.5 / .68	4.7 / 2.1	H20N1___K
2-1/2 63.5	200 / 2940	70 / 1000	2.6 / 1.2	7.9 / 3.6	H25N1___K
3 76	125 / 1838	42 / 600	3.3 / 1.5	10.7 / 4.9	H30N1___K
4 102	125 / 1838	42 / 600	4.7 / 2.1	17.8 / 8.1	H40N1___K
5 125	125 / 1838	42 / 600	6.6 / 3.0	26.4 / 12	H50N1___K
6 152	125 / 1838	42 / 600	8.9 / 4.0	37.5 / 17	H60N1___K

Specify ends and lengths.



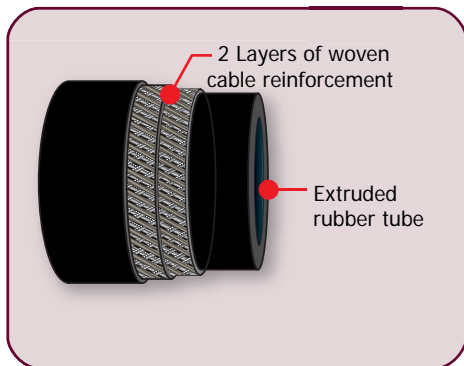
## N2 BOOM HOSE (TRELLEBORG)

### Branding

**TRELLEBORG PULSOR 200**

Size in. mm	Mfg. Min. Burst (bar / psi)	Working Pressure (bar / psi)	Shipping Weight (lbs / kg.) ft.	F.W.C. (lbs / kg.) ft.	Part Number
3 76	200 / 2940	85 / 1233	3.7 / 1.7	11.1 / 5.0	H30N2___K
3-1/2 89	200 / 2940	85 / 1233	4.8 / 2.2	15.1 / 6.8	H35N2___K
4 102	200 / 2940	85 / 1233	5.4 / 2.4	18.5 / 8.4	H40N2___K
4-1/2 114	200 / 2940	85 / 1233	6.1 / 2.8	22.9 / 10.4	H45N2___K
5 125	200 / 2940	85 / 1233	7.6 / 3.4	27.4 / 12.4	H50N2___K
6 152	200 / 2940	85 / 1233	9.9 / 4.5	38.5 / 17.5	H60N2___K

Specify ends and lengths.



## N3 DISCHARGE HOSE (IVG)

### Branding

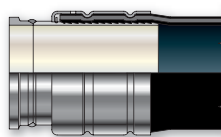
**CON FORMS P200™**

Size in. mm	Mfg. Min. Burst (bar / psi)	Working Pressure (bar / psi)	Shipping Weight (lbs / kg.) ft.	F.W.C. (lbs / kg.) ft.	Part Number
2 51	170 / 2500	85 / 1233	1.9 / .86	5.2 / 2.36	H20N3___C
2-1/4 57	170 / 2500	85 / 1233	2.5 / 1.14	7.6 / 3.46	H22N3___C
2-1/2 63.5	170 / 2500	85 / 1233	2.5 / 1.14	7.6 / 3.46	H25N3___C

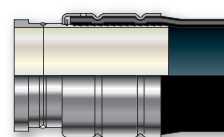
Specify ends and lengths.

Manufacturer, size, weight and working pressure embossed on outer wrap of all hose

## HOSE END OPTIONS



Hevi-Duty End



Metric End

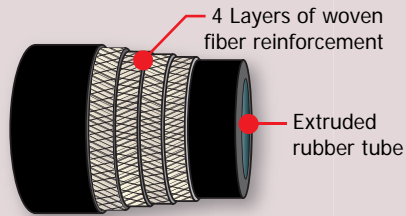
Other ends are available upon request. Consult factory

For additional information or to place an order, please call **800.223.3676**

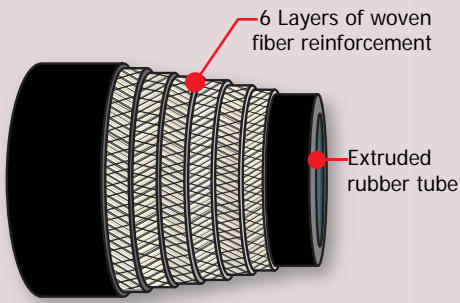




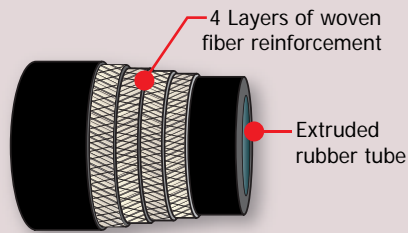
### KEY PRODUCT FEATURES



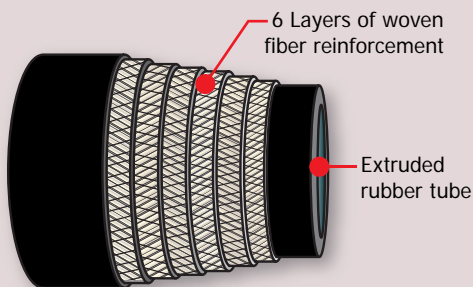
**1.25/32 TO 2.5/63.5**



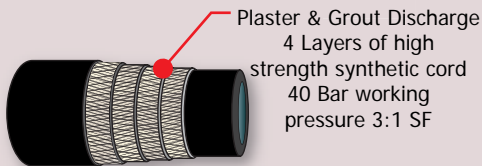
**3/76 TO 5/125**



**1/25 TO 2.5/63.5**



**3/76 TO 5/125**



Plaster & Grout Discharge  
4 Layers of high strength synthetic cord  
40 Bar working pressure 3:1 SF

## Branding **CON FORMS SUPER FLEX 1250**

Size in.	Size mm	Mfg. Min. Burst (bar / psi)	Working Pressure (bar / psi)	Shipping Weight (lbs / kg.) ft.	F.W.C. (lbs / kg.) ft.	Part Number
1-1/4	32	170 / 2500	85 / 1233	.71/.32	1.9 / .9	H12SF___C
1-1/2	38	170 / 2500	85 / 1233	.97/.44	2.8 / 1.7	H15SF___C
2	51	170 / 2500	85 / 1233	1.5/.66	4.7 / 2.1	H20SF___C
2-1/4	57.4	170 / 2500	85 / 1233	1.3/.61	5.5 / 2.5	H22SF___C
2-1/2	63.5	170 / 2500	85 / 1233	1.8/.82	6.9 / 3.1	H25SF___C
3	76	170 / 2500	85 / 1233	2.5/1.1	9.9 / 4.5	H30SF___C
3-1/2	89	170 / 2500	85 / 1233	2.9/1.3	12.9 / 5.9	H35SF___C
4	102	170 / 2500	85 / 1233	3.2/1.5	16.3 / 7.4	H40SF___C
4-1/2	114	170 / 2500	85 / 1233	3.8/1.7	20.3 / 9.2	H45SF___C
5	127	170 / 2500	85 / 1233	4.8/1.7	24.2 / 10.9	H50SF___V

Specify ends and lengths.

## Branding **CON FORMS FLEX BOND DISCHARGE HOSE**

Size in.	Size mm	Mfg. Min. Burst (bar / psi)	Working Pressure (bar / psi)	Shipping Weight (lbs / kg.) ft.	F.W.C. (lbs / kg.) ft.	Part Number
1	25	275 / 4000	68 / 1000	.65 / .29	1.4 / .64	H10FB___C
1-1/4	32	165 / 2400	55 / 800	.77 / .35	2.1 / .95	H12FB___C
1-1/2	38	165 / 2400	55 / 800	0.9 / .41	2.7 / 1.2	H15FB___C
2	51	165 / 2400	55 / 800	1.2 / .54	4.5 / 2.0	H20FB___C
2-1/2	63.5	165 / 2400	55 / 800	1.7 / .77	6.8 / 3.1	H25FB___C
3	76	138 / 2000	46 / 666	2.5 / 1.1	9.9 / 4.5	H30FB___C
3-1/2	89	138 / 2000	46 / 666	2.9 / 1.3	12.9 / 5.9	H35FB___C
4	102	138 / 2000	46 / 666	3.3 / 1.5	16.4 / 7.4	H40FB___C
4-1/2	114	138 / 2000	46 / 666	3.8 / 1.7	20.4 / 9.3	H45FB___C

Specify ends and lengths.

## Branding **CON FORMS PLASTER & GROUT**

Size in.	Size mm	Mfg. Min. Burst (bar / psi)	Working Pressure (bar / psi)	Shipping Weight (lbs / kg.) ft.	F.W.C. (lbs / kg.) ft.	Part Number
1	25	120 / 1800	40 / 600	0.6 / .27	1.1 / .5	H10PG___C
1-1/2	35	120 / 1800	40 / 600	.97 / .44	2.2 / 1.0	H15PG___C
2	50	120 / 1800	40 / 600	1.2 / .54	4.3 / 1.9	H20PG___C

Consult factory for available lengths  
Hose supplied with european camlock ends

Hose & Accessories

Manufacturer, size, weight and working pressure embossed on outer wrap of all hose

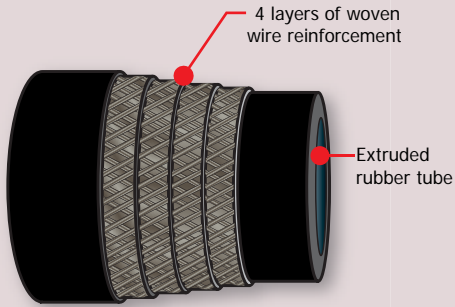


Visit us on line at [www.conforms.com](http://www.conforms.com)



# BOOM AND DISCHARGE HOSE & ACCESSORIES

## KEY PRODUCT FEATURES



Manufacturer, size, weight and working pressure embossed on outer wrap of all hose

## STEEL BOND 1250 BOOM HOSE (SB)

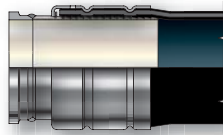
Branding

**STEEL BOND 1250**

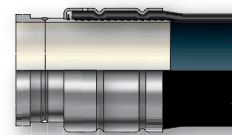
Size in.	mm	Mfg. Min. Burst (bar / psi)	Working Pressure (bar / psi)	Shipping Weight (lbs / kg.) ft.	F.W.C. (lbs / kg.) ft.	Part Number
1-1/2	38	170 / 2500	85 / 1233	1.22 / .56	3.1/1.4	H15SB___C
2	51	170 / 2500	85 / 1233	1.54 / .70	4.8/2.2	H20SB___C
2-1/2	63.5	170 / 2500	85 / 1233	2.24 / 1.0	7.4/3.3	H25SB___C
3	76	170 / 2500	85 / 1233	4.29 / 1.9	11.7/5.3	H30SB___C
3-1/2	90	170 / 2500	85 / 1233	4.94 / 2.2	14.9/6.8	H35SB___C
4	102	170 / 2500	85 / 1233	5.30 / 2.4	18.4/8.3	H40SB___C
4-1/2	114	170 / 2500	85 / 1233	5.85 / 2.7	22.4/10.2	H45SB___C
5	127	170 / 2500	85 / 1233	6.51 / 2.9	26.9/12.3	H50SB___C

Specify ends and lengths. Other ends are available upon request. Consult factory

## HOSE END OPTIONS

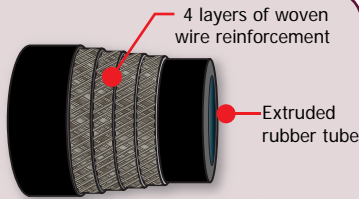


Hevi-Duty End



Metric End

Hose & Accessories



Manufacturer, size, weight and working pressure embossed on outer wrap of all hose

## HIGH PRESSURE STEEL WIRE HOSE (HP)

Branding

**CON FORMS H.P. STEEL WIRE HOSE**

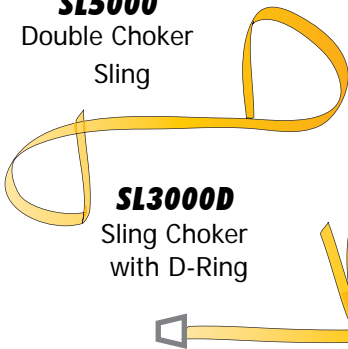
Size in.	mm	Mfg. Min. Burst (bar / psi)	Working Pressure (bar / psi)	Shipping Weight (lbs / kg.) ft.	F.W.C. (lbs / kg.) ft.	Part Number
2	51	275 / 4000	85 / 1233	2.67 / 1.2	5.94 / 2.69	H20HW___C

# HOSE ACCESSORIES

## SLINGS

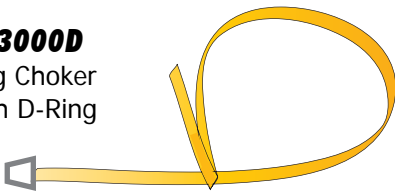
### SL5000

Double Choker Sling



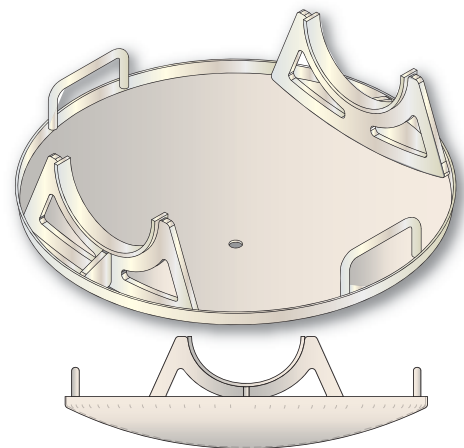
### SL3000D

Sling Choker with D-Ring



### SL6000

Sling with Rigid Eye Hook & D-Ring



## HOSE PLACING DISK

Description	Part Number
24" diameter steel	LH-54

## OTHER RECOMMENDED COMPONENTS FOR HOSE SEE:

- Remote or Manual Air Cuff™ Valves on pages 29 & 30

For additional information or to place an order, please call **800.223.3676**





## KEY PRODUCT CHARACTERISTICS

- Maintains air entrainment within concrete
- No exposed wire reinforcement on hose tip
- 5" to 3" hose ideal for ICF, block and form filling applications
- Smooth, controlled concrete flow virtually eliminates splatter and reduces boom bounce
- Eliminates need for steel reducer and couplings, Ram's Horn or double 90-degree elbows
- Less weight at boom tip

Patented steel reinforced reducing boom hoses from:  
**5" to 4", 5" to 3", 4.5" to 3", 4.5" to 4" and 4" to 3"**



**5" TO 4" HOSE**



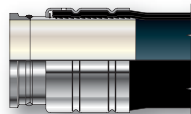
**5" TO 3" HOSE**

## REDUCING HOSE

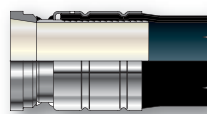
in.	Size mm	End Style	Working Pressure (bar / psi)	Shipping Weight (lbs / kg.) ft.	Part Number
5 to 4	125 to 102	Hevi-Duty Full Flow End	85/1250	72.8 / 33.0	H5040RND1K
5 to 4	125 to 102	Metric Full Flow End	85/1250	71.8 / 32.6	H5040RNM1K
5 to 3	125 to 76	Hevi-Duty End	85/1250	75 / 34	H4530RND1K
5 to 3	125 to 76	Metric End	85/1250	74 / 33.6	H4530RNM1K
5 to 3	125 to 76	Hevi-Duty Tapered Weld End	85/1250	75 / 34	H4530RNTD1K
5 to 3	125 to 76	Metric Tapered Weld End	85/1250	74 / 33.6	H4530RNTM1K
5 to 3	125 to 76	Hevi-Duty Tapered Neck	85/1250	82 / 37.2	H4530RNRD1K
5 to 3	125 to 76	Metric Tapered Neck	85/1250	81 / 36.7	H4530RNRM1K
4.5 to 4	114 to 102	Metric Tapered End	85/1250	86.5 / 39.2	H4540RNTM1K-S
4.0 to 3	102 to 76	Metric Tapered End	85/1250	80/36	H4030RNM1K

Hose & Accessories

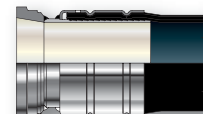
## REDUCING HOSE END OPTIONS



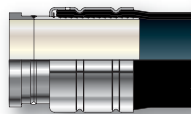
Hevi-Duty Full Flow End



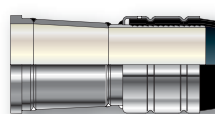
Metric Tapered Weld End



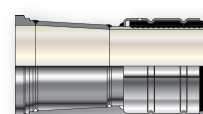
Hevi-Duty Tapered Weld End



Metric Full Flow End



Metric Tapered Neck



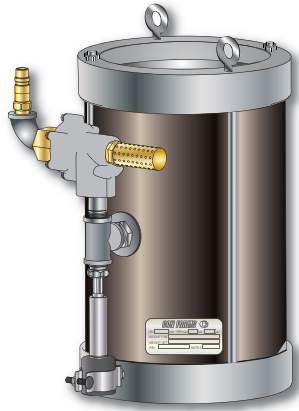
Hevi-Duty Tapered Neck

**AVAILABLE ON  
5" TO 4" HOSE**

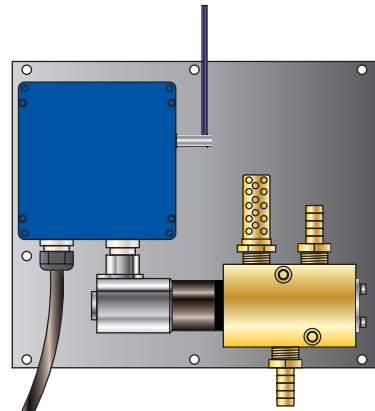
**5" TO 3" HOSE ONLY**



# AIR-CUFF™ HOSE SHUT OFF VALVE



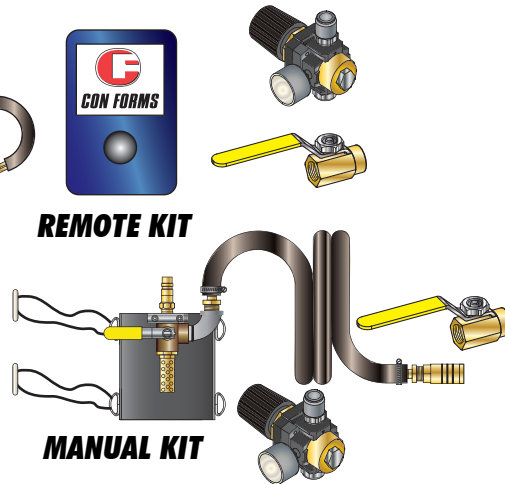
**AIR CUFF™  
VALVE ASSEMBLY**



**REMOTE KIT**



**AIR CUFF™  
REPLACEMENT CUFF**



**MANUAL KIT**



Hose & Accessories

## KEY PRODUCT SPECIFICATIONS AT A GLANCE

Length:	15"
Diameter:	9.5"
Weight:	21 lbs
Max. Air Pressure:	90 PSI
Cycle Time:	4 seconds

## KEY PRODUCT CHARACTERISTICS

- Cycle time of 4 seconds, eliminates spill and waste
- Fits all 3" through 5" diameter discharge hose
- Eliminates the need to kink and wire hose at the tip
- Operates from truck's air supply
- Can be operated by hand held remote control or integrated into pumps control box.
- Consult factory for details.
- Includes Air Cuff™, remote and fittings for complete installation
- Safe alternative to the double 90°

## AIR CUFF™ SHUT-OFF VALVE

Product Description	Part Number
Manual Air Cuff™ Kit	V50ASC-MAN
Remote Control Kits (Universal Kits)	
12-Volt Air Cuff™ Kit	V50ASC-12R
24-Volt Air Cuff™ Kit	V50ASC-24R

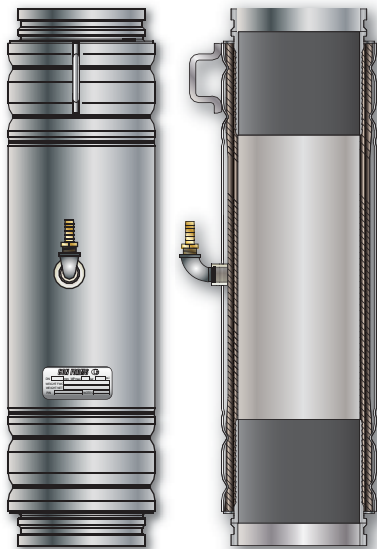
## AIR CUFF™ REPLACEMENT PARTS

Product Description	Part Number
Replacement Cuff	V50ASC-ACA
Replacement Remote	051P13594
Replacement air valve assembly for 12 volt	V50ASC-RC12
Replacement air valve assembly for 24 volt	V50ASC-RC24
Replacement air solenoid valve for 12 volt	050P14239
Replacement air solenoid valve for 24 volt	050P14257
Replacement 1/2" air regulator	050P14378

Other replacement parts available consult factory.

For additional information or to place an order, please call **800.223.3676**





### KEY PRODUCT SPECIFICATIONS AT A GLANCE

Length: Approx. 36" long.  
 Diameter: 9.5"  
 Max. Air Pressure: 100 PSI  
 Maximum back pressure: 75 psi

### KEY PRODUCT CHARACTERISTICS

Underwater valves are designed to prevent water from mixing with concrete in under water concrete placing operations. Valves are simple in design; eliminating sliding, rotating, swinging and plunging parts. Valves can be used in vertical and horizontal positions. Valves open with low pressure, sealing around solid objects, and closing against back-flow. The valve body is reinforced with steel plies for durable use. Valve opens when air pressure is released, or when concrete pressure exceeds the holding air pressure.

#### 3"/76mm INLINE UNDERWATER AIR SHUT-OFF VALVE

Product Description	Part No.
3" Inline Air Cuff™ with Hevi-Duty™ Ends	UAC30D

#### 4"/102mm INLINE UNDERWATER AIR SHUT-OFF VALVE

Product Description	Part No.
4" Inline Air Cuff™ with Hevi-Duty™ Ends	UAC40D

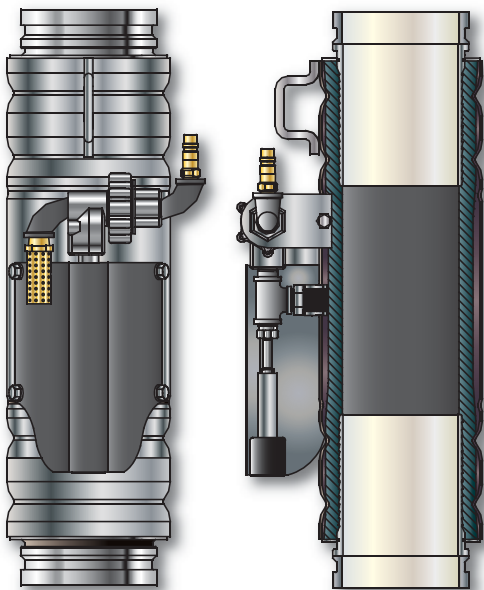
#### 5"/125mm INLINE UNDERWATER AIR SHUT-OFF VALVE

Product Description	Part No.
5" Inline Air Cuff™ with Metric to Hevi-Duty™ Ends	UAC50MD
5" Inline Air Cuff™ with Metric Ends	UAC50M
5" Inline Air Cuff™ with Hevi-Duty™ Ends	UAC50D

*Other sizes available, consult factory for details*

### KEY PRODUCT CHARACTERISTICS

Inline valves are designed to work inline with boom systems. Valves are simple in design; eliminating sliding, rotating, swinging and plunging parts. Valves can be used in vertical and horizontal positions. Valves open with low pressure, sealing around solid objects, and closing against back-flow. The valve body is reinforced with steel plies for durable use. Valve opens when air pressure is released, or when concrete pressure exceeds the holding air pressure.



### KEY PRODUCT SPECIFICATIONS AT A GLANCE

Length: Varies per style  
 Diameter: 9.5"  
 Max. Air Pressure: 100 PSI  
 Maximum back pressure: 75 psi

#### 4"/102mm INLINE AIR SHUT-OFF VALVE

Product Description	Part No.
4" Inline Air Cuff™ with Hevi-Duty™ Ends	V40ASID-MAN

#### 4.5"/114mm INLINE AIR SHUT-OFF VALVE

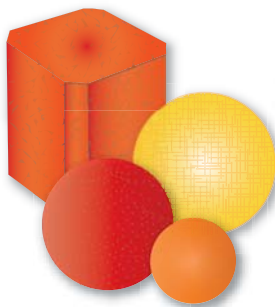
Product Description	Part No.
4.5" Inline Air Cuff™ with Metric Ends	V45ASIM-A
4.5" Inline Air Cuff™ with Hevi-Duty™ Ends	V45ASID-A
4.5" Inline Air Cuff™ with Metric Ends X 1000mm LG.	V45ASIM-A-1000

#### 5"/125mm INLINE AIR SHUT-OFF VALVE

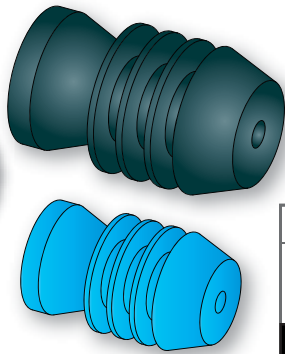
Product Description	Part No.
5" Inline Air Cuff™ with Metric to Hevi-Duty™ Ends	V50ASIM-A
5" Inline Air Cuff™ with Hevi-Duty™ Ends	V50ASID-A
5" Inline Air Cuff™ with Metric Ends x 1000mm lg.	V50ASIM-A-1000



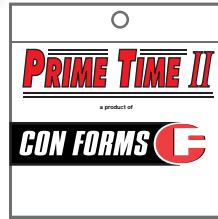
# CLEAN OUT ACCESSORIES



**CLEANOUT BALLS**



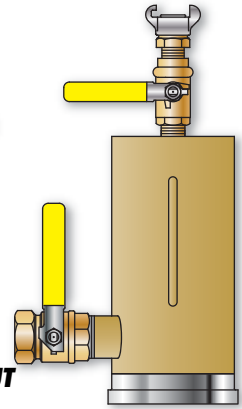
**GO-DEVILS**



**PUMP PRIMER**



**WATER BLOWOUT CAP**



**BLOWOUT CAPS**

## BALL, SPONGES, GO-DEVILS

Size	Boom Go-Devil	Go-Devil	Cleanout Cubes	Foam Boom Ball	SpongeCleanout Ball - Hard	High Performance Elastomeric compound Cleanout Ball	Sponge Cleanout Ball - Soft
2.0	-	GO-D20	-	-	COBH20		COBS20
2.5	-	GO-D25	-	-	COBH25		COBS25
3.0	-	GO-D30	-	-	COBH30		COBS30
4.0	-	GO-D40	-	BB40	COBH40		COBS40
5.0	BGO-D50	GO-D50	COCM-50	BB50	COBH50	COBP50	COBS50
6.0	-	GO-D60	COCM-60	BB60	COBH60		COBS60
7.0	-	GO-D70	-	-	-		-
8.0	-	GO-D80	-	-	-		-

## BALL, SPONGES - BOX QUANTITIES

Size	Foam Boom Ball	Units Per Box	SpongeCleanout Ball - Hard	Sponge Cleanout Ball - Soft	Units Per Box
2.0	-	-	COBH20-BX	COBS20-BX	12
2.5	-	-	COBH25-BX	COBS25-BX	20
3.0	-	-	COBH30-BX	COBS30-BX	20
4.0	BB40-BX	12	COBH40-BX	COBS40-BX	25
5.0	BB50-BX	8	COBH50-BX	COBS50-BX	50
6.0	BB60-BX	4	COBH60-BX	COBS60-BX	32

## CONCRETE PUMP PRIMER

Product	Contents	Part Number
Prime Time II	1 Pail / with 60 - 8oz.bags	PTPII
Prime Time II	Skid of 36 Pails	PTPII-S
Prime Time Liquid	1/pack	PTL
Prime Time Liquid	1 Box / with 60 packs	PTL-BX

## DEVIL CATCHERS, BLOW-OUT CAPS, END CAPS

Size	Devil Catcher	Air Blowout Cap	Water Blowout Cap	Water Blowout Cap with 3/4 nipple	End Cap
2.0	DC20D	-----	-----	BOC20D-3/4	EC20D
2.5	DC25D	-----	BOC25D	BOC25D-3/4	EC25D
3.0	DC30D	BOC30_A	BOC30D	BOC30D-3/4	EC30D
4.0	DC40D	BOC40_A	BOC40D	BOC40D-3/4	EC40D
5.0	DC50D	BOC50_A	BOC50D	BOC50D-3/4	EC50D
6.0	DC60D	BOC60_A	BOC60D	-----	EC60D
148mm	DC50M	BOC50MA	BOC50M	BOC50M-3/4	EC148M

Specify types of ends required.

Cleanout Accessories

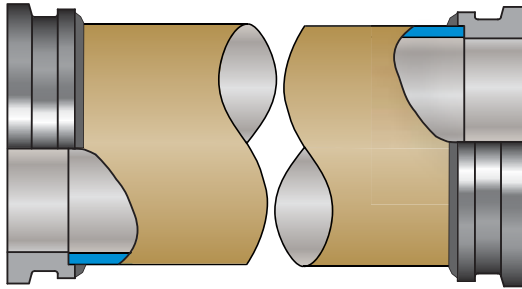
For additional information or to place an order, please call **800.223.3676**



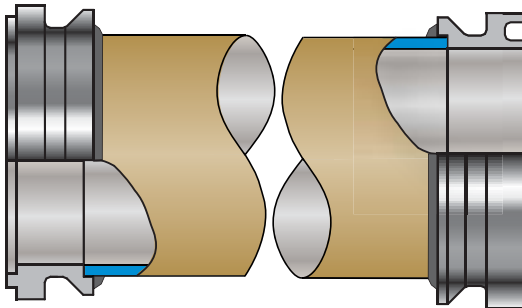


# LAY DOWN HIGH RISE SMALL LINE

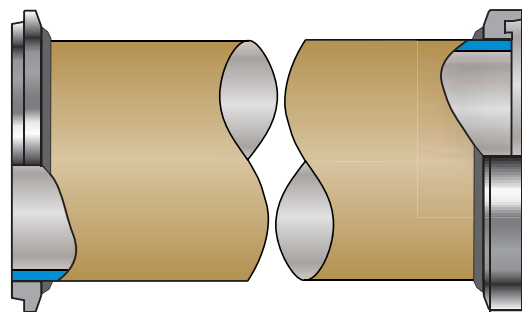




**HEVI-DUTY™ ENDS**



**SCHWING MALE / FEMALE**



**PUTZMEISTER  
ZX MALE / FEMALE**

Lay down System

### 11 GAUGE (NOMINAL) .120" / 3mm

I.D. in/mm	Length (in./mm)	Shipping Weight (lbs. / Kg.)	Part Number Non-Hardened	
2.0/50.8	120/3048	29 / 13	T2011A10D	
2.5/63.5	120/3048	32 / 15	T2511A10D	
3.0/76	120/3048	43 / 20	T3011A10D	
4.0/102	120/3048	55 / 25	T4011A10D	
5.0/125	120/3048	67 / 30	T5011A10D	

Other end types available.  
Other lengths are available upon request. Consult factory.

### 9 GAUGE (NOMINAL) .150" / 3.8mm

I.D. in/mm	Length (in./mm)	Shipping Weight (lbs. / Kg.)	Part Number Non-Hardened	
4.0/102	120/3048	68 / 31	T4009A10D	
5.0/125	120/3048	82 / 37	T5009A10D	
6.0/152	120/3048	99 / 45	T6009A10D	

Other end types available.  
Other lengths are available upon request. Consult factory.

### 7 GAUGE (NOMINAL)

.194 / 4.9mm Wall

I.D. in/mm	Length (in./mm)	Shipping Weight (lbs. / Kg.)	Part Number Hardened	Part Number Non-Hardened
4.84/123	120/3048	105 / 48	-	T5007A10D
4.84/123	120/3048	109 / 50	T5007A10DH	-
6.0/152	120/3048	127 / 58	-	T6007A10D

Other end types available.  
Other lengths are available upon request. Consult factory.

### .250" / 6.35mm Wall

I.D. in/mm	Length (in./mm)	Shipping Weight (lbs. / Kg.)	Part Number Hardened	Part Number Non-Hardened
3.0/76	120/3048	89 / 40	-	T3025A10D
4.0/102	120/3048	116 / 53	T4025A10DH	T4025A10D
5.0/125	120/3048	140 / 64	T5025A10DH	T5025A10D

Other end types available.  
Other lengths are available upon request. Consult factory.

### .312" / 7.9mm Wall

I.D. in/mm	Length (in./mm)	Shipping Weight (lbs. / Kg.)	Part Number Hardened	Part Number Non-Hardened
6.0/153	120/3048	215 / 98	T6031A10DH	T6031A10D

Other end types available.  
Other lengths are available upon request. Consult factory.

### .500" / 12.7 mm Wall

I.D. in/mm	Length (in./mm)	Shipping Weight (lbs. / Kg.)	Part Number Hardened	Part Number Non-Hardened
5.0/125	120/3048	297 / 135	T5050A10DH	T5050A10D

Other end types available.  
Other lengths are available upon request. Consult factory.

### OTHER RECOMMENDED COMPONENTS FOR A PLACING LINE SYSTEM

- Heavy wall placing elbows
- Reducers
- Couplings
- Gaskets
- Valves
- Support brackets

For additional information or to place an order, please call **800.223.3676**



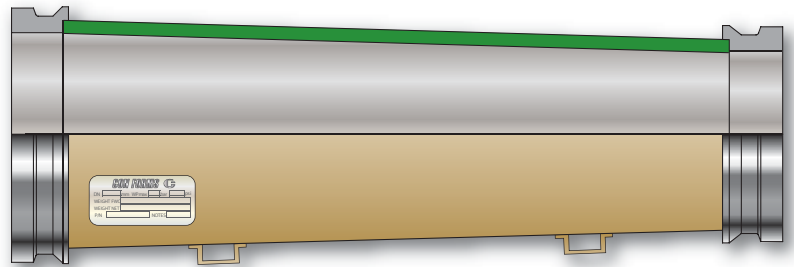


## PRODUCT FEATURES

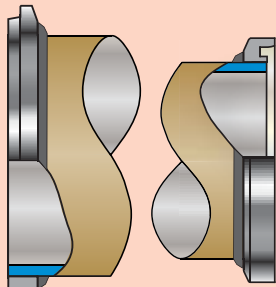
Our Placing Line reducer is a single wall, available in heat treated and non heat treated versions. All placing line reducers come with welded safety eyes. Reducers are tagged with size, part number, weight (both dry & FWC) and working pressure.

## KEY REDUCER SPECIFICATIONS AT A GLANCE

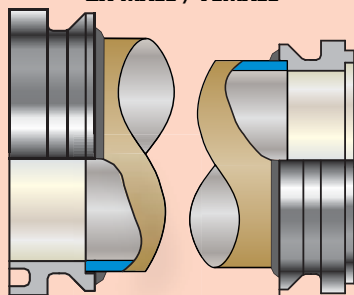
Reducer	Single-wall
Heat Treatment	Induction Hardened and non-heat treated
Weld ends	Machined steel
Hardness	Up to 50HRc for heat treated reducers
Working Pressure (max):	.85 bar (1233psi) metric 130 bar (1885psi) Hevi-Duty™



**REDUCER SHOWN WITH HEVI-DUTY™ ENDS**



**PUTZMEISTER  
ZX MALE / FEMALE**



**SCHWING MALE / FEMALE**  
Available on 6 to 5 reducers  
Other end styles available  
consult factory for details

## OTHER RECOMMENDED COMPONENTS FOR A PLACING LINE SYSTEM

- Placing line
- Placing elbows
- Couplings
- Gaskets
- Support brackets
- Valves

## HARDENED AND NON HARDENED STEEL REDUCERS

Inlet End (ID) (in./mm)	Outlet End (ID) (in./mm)	length (in.)	length (mm)	Shipping weight (lbs./Kg.)	Part Number
2.5/63.5	2.0/51	28.0	711	18/9	R252028_ _ _
3.0/76	2.0/51	28.0	711	17/8	R302028_ _ _
3.0/76	2.0/51	36.0	914	22/10	R302036_ _ _
3.0/76	2.5/63.5	28.0	711	22/10	R302528_ _ _
4.0/102	3.0/76	28.0	711	25/11	R403028_ _ _
4.0/102	3.0/76	36.0	914	32/15	R403036_ _ _
4.0/102	3.5/89	12.0	305	14/6	R403512_ _ _
5.0/125	3.0/76	28.0	711	28/13	R503028_ _ _
5.0/125	4.0/102	30.0	762	38/17	R504030_ _ _
5.0/125	4.0/102	36.0	914	43/20	R504036_ _ _
5.0/125	4.0/102	40.0	1016	64/29	R504040_ _ _
5.0/125	4.0/102	53.0	1346	64/29	R504053_ _ _
6.0/152	4.0/102	36.0	914	41/19	R604036_ _ _
6.0/152	4.0/102	53.0	1346	58/26	R604053_ _ _
6.0/152	5.0/125	36.0	914	46/21	R605036_ _ _
6.0/152	5.0/125	53.0	1346	95/43	R605053_ _ _
6.0/152	5.0/125	63.0	1600	114/52	R605063_ _ _

Specify "H" to end of part number for heat treated versions.

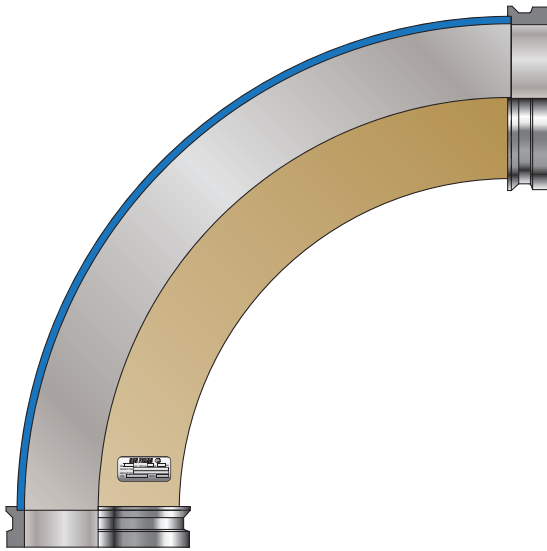
Retaining eyes are standard on all placing reducers.

Other ends, lengths and reductions are available upon request.

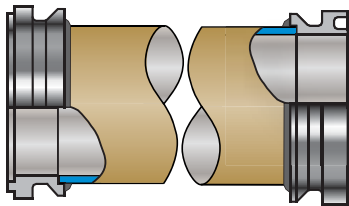
Lay down System



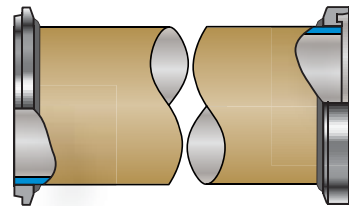
# PLACING ELBOWS



**HEVI-DUTY ENDS**



**SCHWING MALE / FEMALE**



**PUTZMEISTER  
ZX MALE / FEMALE**

Lay down System

## OTHER RECOMMENDED COMPONENTS FOR A PLACING LINE SYSTEM

- Placing line
- Reducers
- Couplings
- Gaskets
- Valves
- Support brackets

## PLACING ELBOWS - HEAVY WALL

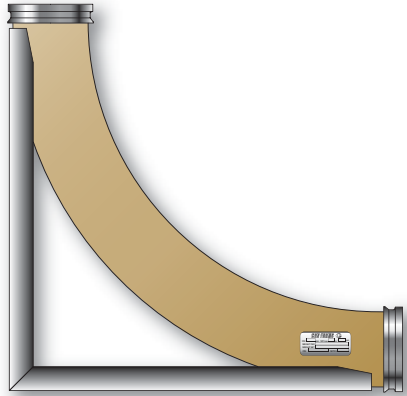
ID In. / mm	Degree of Angle	Center Line Radius In. / mm	Shipping Weight (lbs. / Kg.)	Part Number
2.0 / 50.8	90	48 / 1219	27 / 12	PB209048__
2.0 / 50.8	45	48 / 1219	12 / 5	PB204548__
2.0 / 50.8	90	16 / 406	11 / 5	PB209016__
2.0 / 50.8	45	16 / 406	6 / 3	PB204516__
2.5 / 63.5	90	48 / 1219	40 / 18	PB259048__
2.5 / 63.5	45	48 / 1219	25 / 11	PB254548__
2.5 / 63.5	90	16 / 406	14 / 6	PB259016__
2.5 / 63.5	45	16 / 406	9 / 4	PB254516__
3.0 / 76	90	48 / 1219	58 / 26	PB309048__
3.0 / 76	45	48 / 1219	29 / 13	PB304548__
3.0 / 76	90	16 / 406	23 / 10	PB309016__
3.0 / 76	45	16 / 406	13 / 6	PB304516__
3.0 / 76	90	7.5 / 190.5	13 / 6	PB309007__
3.0 / 76	45	7.5 / 190.5	8 / 4	PB304507__
4.0 / 102	90	48 / 1219	72 / 33	PB409048__
4.0 / 102	45	48 / 1219	42 / 19	PB404548__
4.0 / 102	90	32 / 813	53 / 24	PB409032__
4.0 / 102	45	32 / 813	30 / 14	PB404532__
4.0 / 102	90	18 / 457	30 / 14	PB409018__
4.0 / 102	45	18 / 457	18 / 8	PB404518__
5.0 / 125	90	48 / 1219	89 / 40	PB509048__
5.0 / 125	45	48 / 1219	48 / 22	PB504548__
5.0 / 125	90	36 / 914	79 / 36	PB509036__
5.0 / 125	45	36 / 914	39 / 18	PB504536__
5.0 / 125	90	24 / 610	48 / 22	PB509024__
5.0 / 125	45	24 / 610	27 / 12	PB504524__
5.0 / 125	90	18 / 457	37 / 17	PB509018__
5.0 / 125	45	18 / 457	22 / 10	PB504518__
5.0 / 125	90	14 / 356	28 / 13	PB509014__
5.0 / 125	45	14 / 356	19 / 9	PB504514__
6.0 / 150	90	48 / 1219	142 / 64	PB609048__
6.0 / 150	45	48 / 1219	76 / 35	PB604548__
6.0 / 150	90	30 / 762	90 / 41	PB609030__
6.0 / 150	45	30 / 762	42 / 19	PB604530__
6.0 / 150	90	18 / 457	56 / 25	PB609018__
6.0 / 150	45	18 / 457	29 / 13	PB604518__
6.0 / 150	90	14 / 356	46 / 21	PB609014__
6.0 / 150	45	14 / 356	24 / 11	PB604514__
7.0 / 180	90	14 / 356	51 / 23	PB709014__
7.0 / 180	45	14 / 356	27 / 12	PB704514__
8.0 / 203	90	42 / 1067	138 / 63	PB809042__

Specify end type and add suffix of "H" for heat treated versions.  
Other elbow angles and radii available. Consult factory.

D=Hevi-Duty, M= Metric, E= Schwing Male, F= Schwing Female



For additional information or to place an order, please call **800.223.3676**

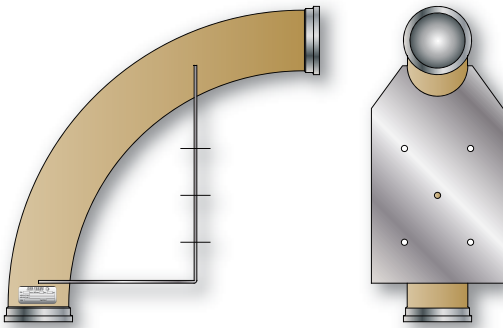


**90° PLACING ELBOW - WITH OUTSIDE BRACKET**

Size (I.D.) (in./mm)	Center Line Radius (in./mm)	Shipping Weight (lbs / Kg.)	Part Number
3.0/76	16/406	34 / 15	SBO30__
4.0/102	18/457	48 / 22	SBO40__
5.0/125	24/610	78 / 35	SBO50__
5.0/125 Hevi-Duty™ Ends	48/1219	147 / 67	169-05965
5.0/125 Hevi-Duty™ Ends Heat Treated version	48/1219	147 / 67	169-08716
6.0/152	30/762	120 / 55	SBO60__

Specify end type and add suffix of "H" to part number for heat treated versions.  
Bracketed elbows are also available in other center line radii. Consult factory.

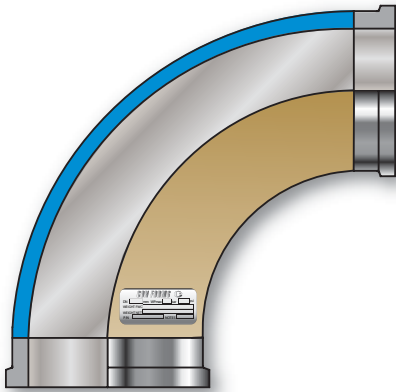
**90° PLACING ELBOW - WITH INSIDE BRACKET**



Size (I.D.) (in./mm)	Center Line Radius (in./mm)	Shipping Weight (lbs / Kg.)	Part Number
3.0/76	16/406	42 / 19	SBI30__
4.0/102	18/457	53 / 24	SBI40__
5.0/125	24/610	75 / 34	SBI50__
6.0/152	30/762	120 / 55	SBI60__

Specify end type and add suffix of "H" to part number for heat treated versions.  
Bracketed elbows are also available in other center line radii. Consult factory.

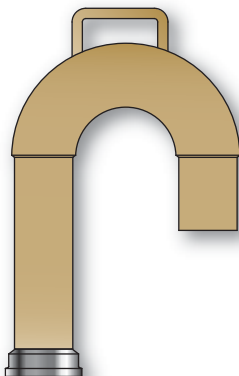
**REDUCING ELBOW**



ID (Inlet Side) (in./mm)	ID (Outlet Side) (in./mm)	Shipping Weight (lbs / Kg.)	Part Number
3.0/76	2.0/51	6 / 3	RE3020__
4.0/102	3.0/76	15 / 6.8	RE4030__
5.0/125	3.0/76	20 / 9.1	RE5030__
5.0/125	4.0/102	22 / 10	RE5040__
6.0/152	3.0/76	24 / 10.9	RE6030__
6.0/152	4.0/102	27 / 12.2	RE6040__
6.0/152	5.0/125	31 / 14.1	RE6050__

Specify end type and add suffix of "H" to part number for heat treated versions.  
Other reducing elbow assemblies are also available. Consult factory.

**WALL HOOK**

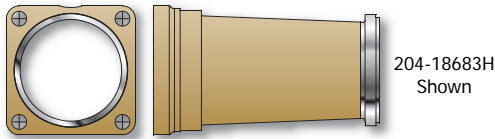


ID (in./mm)	Hevi-Duty™	Male Thread
2.0/51	199-05563	199-06692
2.5/63.5	199D05708	
3.0/76	199-05709	
4.0/102	199D06432	

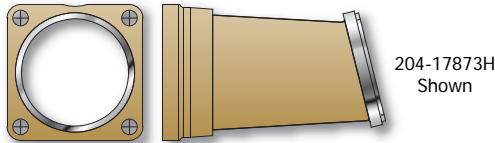
Custom wall hook assemblies are also available. Consult factory.  
Washout hook assemblies are also available. Consult factory.



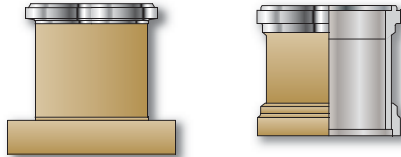
# LINE PUMPING ADAPTORS BOOM & TRAILER PUMPS



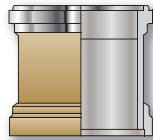
204-18683H  
Shown



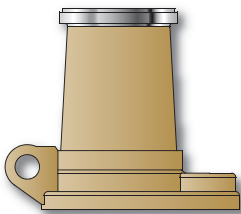
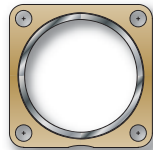
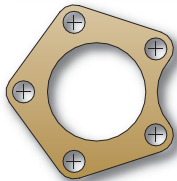
204-17873H  
Shown



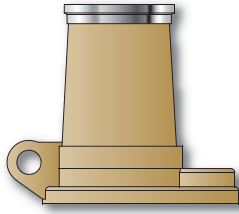
204-18766H  
Shown



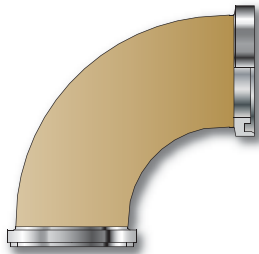
204-17212H  
Shown



204-17176H  
Shown



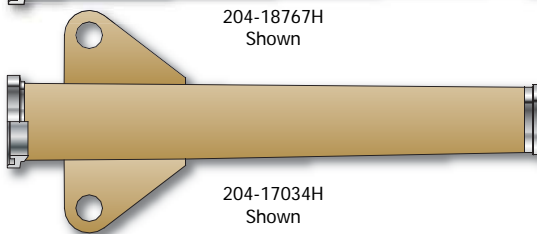
204-18423  
Shown



204-17952H  
Shown



204-18767H  
Shown



204-17034H  
Shown

## SCHWING 7" to 6" LINE PUMPING ADAPTOR With 4-bolt mount

Size (in./mm)	Length (in./mm)	End Style	Part Number
7/180 - 6/152	15.5/394	Hp Male	204-18683H
7/180 - 6/152	15.5/394	Male	204-18449H
7/180 - 6/152	15.5/394	Hevi-Duty™	204-18425H
7/180 - 6/152	13.5/343	14° Off-set / Male	204-17873H
7/180 - 6/152	13.7 /347	14° Off-set / Hevi-Duty™	204-17292H

Other lengths or end styles available. Consult factory

## SCHWING LINE PUMPING ADAPTOR

With 5-bolt or 4-bolt mounts, for use on Schwing trailer pumps

Size (in./mm)	Length (in./mm)	End Style	Part Number
6/152	8.68/220	Male High Pressure	204-18766H
6/152	8.07/205	4-bolt / Male	204-17212H

Other lengths or end styles available. Consult factory

## SCHWING 7" to 6" LINE PUMPING ADAPTOR

With pin and wedge mount, for use on Schwing boom trucks

Size (in./mm)	Length (in./mm)	End Style	Part Number
7/180 to 6/152	13/330	Hevi-Duty™	204-18423
7/180 to 6/152	13/330	Schwing Male	204-17176H

Other end styles available. Consult factory

## SCHWING LINE PUMPING ELBOWS

With High Pressure ends, for use on Schwing boom trucks

Size (in./mm)	Radius (in./mm)	End Style	Part Number
6/152	9/229	Male / High Pressure Female	204-18730H
6/152	9/229	High Pressure Male/Female	204-17952H

Other end styles or bend radius available. Consult factory

## SCHWING LINE PUMPING REDUCERS

With High Pressure ends, for use on Schwing pumps

Size (in./mm)	Length (in./mm)	Turn Buckle Holes-mm	End Style	End Style	Part Number
6/150-5/125	63/1600	40.5	HP Female	Hevi-Duty™	204-17034H
6/150-5/125	63/1600	57	HP Female	Hevi-Duty™	204-17923H
6/150-5/125	39.4/1000	n/a	HP Female	Female	204-18767H
6/150-5/125	48/1219	n/a	HP Female	Hevi-Duty™	204-18596H
6/150-5/125	48.81/1240	n/a	HP Female	HP Male	204-18537H

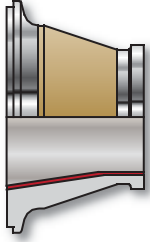
Other lengths or end styles available. Consult factory

Reducers available with or without turnbuckle mounts. Consult factory

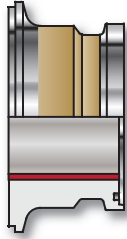
Lay down System

For additional information or to place an order, please call **800.223.3676**





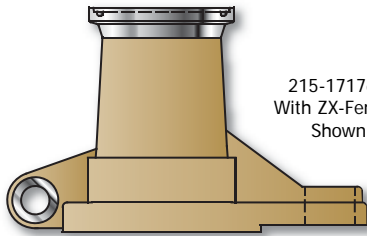
215-15253  
With chrome carbide overlay  
Shown



215-17074  
With chrome carbide liner  
Shown

<b>PUTZMEISTER LINE PUMPING ADAPTOR</b> <i>With ZX end on hopper side, for use on Putzmeister pumps</i>			
System Size (in./mm)	Length (in./mm)	End Style (in./mm)	Part Number
6/152-5/125	5.6/142.5	8/203ZX to 5/125 Hevi-Duty™	215-15253
5/125	4.5/114	8/203ZX to 6/152 ZX Female	215-17074
6/152	7.1/180	8/203ZX to 6/152 Hevi-Duty™	215-16696
6/152	7.8/200	8/203ZX to 6/152 SK	215-18536

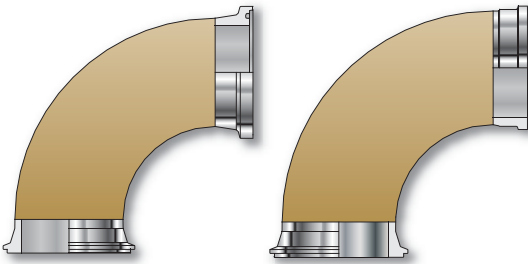
Other end styles available. Consult factory



215-17176H  
With ZX-Female  
Shown

<b>PUTZMEISTER 7 to 6 LINE PUMPING ADAPTOR</b> <i>With pin and wedge mount, for use on Putzmeister boom trucks</i>			
Size (in./mm)	Length (in./mm)	End Style	Part Number
7/180 to 6/152	12.29/312	ZX-Female	215-17176H
7/180 to 6/152	12.29/312	Hevi-Duty™	215D17176H

Other end styles available. Consult factory



ZX Male to  
ZX Female

ZX to Hevi-Duty™

<b>PUTZMEISTER LINE PUMPING ELBOWS</b> <i>With High Pressure ends, for use on Putzmeister boom and trailer pumps</i>			
Size (in./mm)	CLR	End Style	Part Number
6/152	9/229	ZX Male to Hevi-Duty™	PB609009ZEDH
6/152	9/229	ZX Male to ZX Female	215-11675H

Other end styles or bend radius available. Consult factory



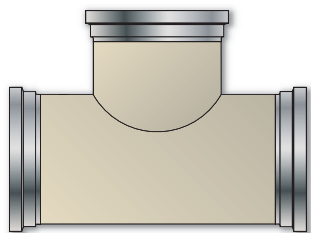
R605058PDH  
Shown

<b>PUTZMEISTER LINE PUMPING REDUCERS</b> <i>With High Pressure ends, for use on Putzmeister trailer pumps</i>				
Size (in./mm)	Length (in./mm)	End Style	End Style	Part Number
6/152-5/125	47.25/1200	ZX Male	ZX Female	116-18854H
6/152-5/125	118.13/3000	ZX Male	Hevi-Duty™	R6050B812ZXEDH
6/152-5/125	60.25/1530	ZX Male	Hevi-Duty™	215-19054H
6/152-5/125	58.0/1473	ZX Male	Hevi-Duty™	R605058PDH

Other lengths or end styles available. Consult factory

Lay down System



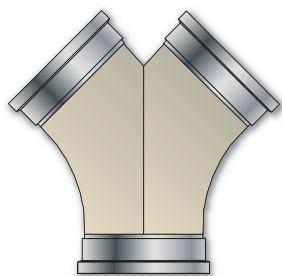


**TEE ASSEMBLY**

## SYSTEM FITTINGS

Size (in./mm)	Part Number	Weight lbs/kg
2.0/51	TE20D	6/2.7
2.5/63.5	TE25D	9/4
3.0/76	TE30D	13.5/6.1
4.0/102	TE40D	18/8.2
5.0/125	TE50D	21/9.5
6.0/152	TE60D	34/15.4

Other configurations and end styles available. Consult factory.

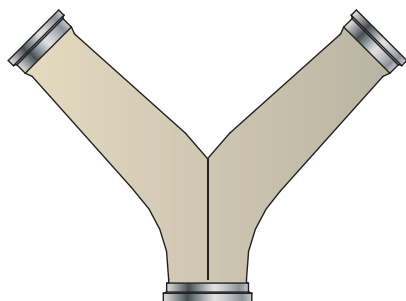


**TRUE WYE**

## TRUE WYE

Size (in./mm)	Part Number	Weight lbs/kg
2.0/51	TY20D	10/4.5
2.5/63.5	TY25D	12/5.4
3.0/76	TY30D	14/6.4
4.0/102	TY40D	18/8.2
5.0/125	TY50D	23/10.4
6.0/152	TY60D	35/15.9

Other configurations and end styles available. Consult factory.



**REDUCING WYE**

## REDUCING WYE

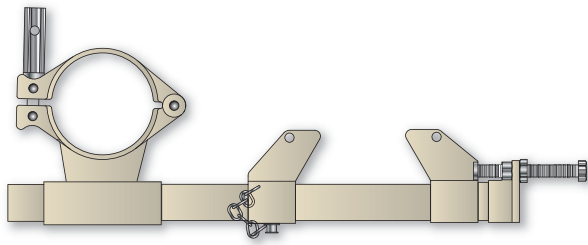
Size (in./mm)	Part Number	Weight lbs/kg
2.0/51	TY3015D	10/4.5
2.5/63.5	TY3020D	12/5.4
3.0/76	TY4030D	14/6.4

Other configurations and end styles available. Consult factory.

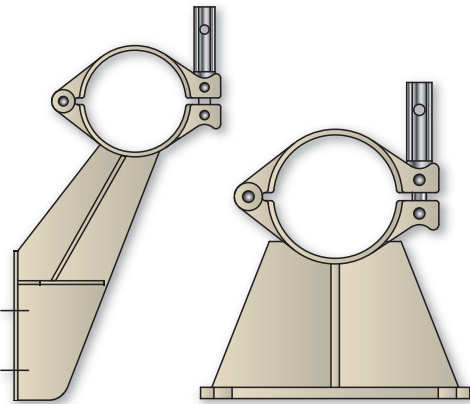
All part numbers on this page reference hevi-duty™ ends







COLUMN SUPPORT BRACKET				
Size	Pipe O.D.	Complete	Tube Clamp Only	Wall Thickness
3.0"	3.25"	CSB30	170-01455	11 Gauge
3.0"	3.50"	CSB30P	170-14103	.250 Wall
4.0"	4.25"	CSB40	170-01456	11 Gauge
5.0"	5.25"	CSB50T	170-01429	9 or 11 Gauge
5.0"	5.50"	CSB50P	170-07503	.250" Wall
5.0"	6.00"	CSB50XP	170-10741	.500" Wall
6.0"	6.25"	CSB60	170-05406	9 Gauge
6.0"	6.63"	CSB60P	170-11017	.312 Wall

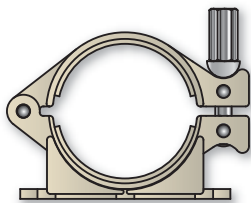


**OFFSET STYLE**

**INLINE STYLE**

INLINE / OFFSET BOLT-ON TYPE			
Size	Pipe OD	Offset Right Angle Type	Inline Type
4.0"	4.5"	199-07281	199-07280
5.0"	5.5"	199-07255	199-07254
5.0"	6.0"		199-16679
6.0"	6.62"	199-07283	199-07282

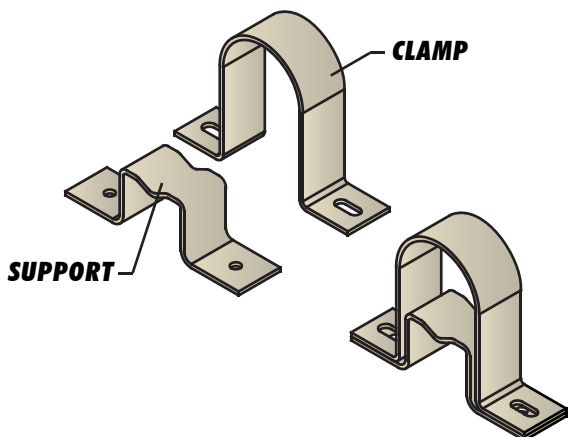
Custom heights on both style available upon request. Consult factory for details.



5" BOOM TUBE CLAMP			
Size	Pipe O.D.	With Flex Nut	With Long Nut
5.0"	5.25"	170-09838R	170-09838LR
5.0"	5.50"	170-09838	170-09838L

Custom clamps and sizes available upon request. Consult factory for details.

5" BOOM TUBE CLAMP, WIDE BASE PLATE			
Size	Pipe O.D.	With Flex Nut	With Long Nut
5.0"	5.25"	170-16481R	170-16481LR
5.0"	5.50"	170-16481	170-16481L



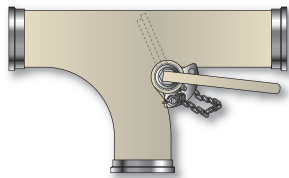
HOLD DOWN CLAMP			
Size O.D.	Pipe Wall Thickness	Clamp	Support
2-1/4"	11 ga.	5XUC	170P17969
3-1/4"	11 ga.	3UCL-7/8	170P17969
3-1/2"	.25"	5UCL-7/8	170P17969
5.236"	7 ga.	48UCXL	170P17969
5.5"	.25"	5UCXL-5/8	170P17969
6.0"	.50"	5XUCXL-5/8	170P17969
6-5/8"	.31"	6XUCXL	170P17969

Custom clamps and sizes available upon request. Consult factory for details.

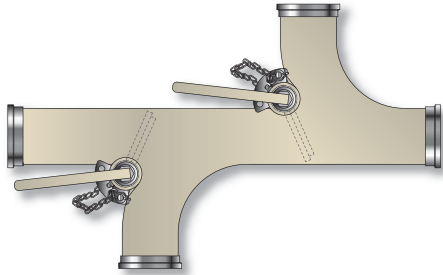
Lay down System Brackets



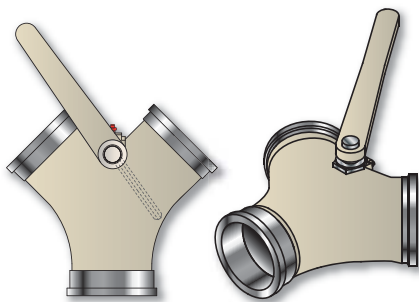
# MANUAL VALVES *DIVERSION & SHUT OFF*



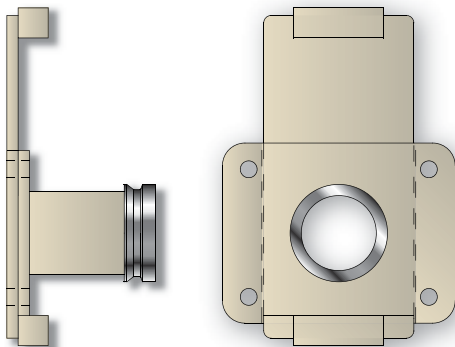
**DIVERSION DISCHARGE VALVE**



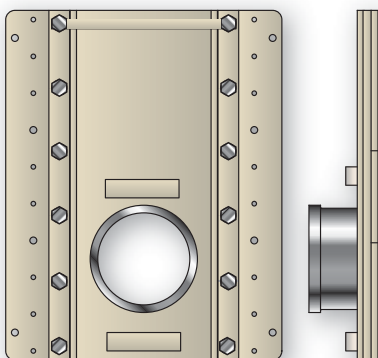
**DOUBLE DIVERSION DISCHARGE VALVE**



**DIVERSION WYE VALVE**



**SINGLE SIDED VALVE**



**COLUMN SHUT-OFF VALVE**

Used on horizontal runs when changing flow of concrete is required as in large wall and matt pours. Valves not to be used where high head pressures are involved.

## DIVERSION DISCHARGE VALVE

Size (in./mm)	Diversion Discharge Part Number	Shipping Weight lbs/kg	Double Diversion Discharge Part Number	Shipping Weight lbs/kg
4.0/102	V40DD02_	48.5/22.5		
5.0/125	V50DD02_	78/35.5	V50DBD05_	166/75.3
6.0/152	V60DD02_	95/43		

Specify type of ends required.

Diversion wyes are used for going back and forth from one horizontal pumping line to another.

## DIVERSION WYE VALVE

Size (in./mm)	Part Number
3.0/76	V30DY_
4.0/102	V40DY_
5.0/125	V50DY_
6.0/152	V60DY_

Specify type of ends required.

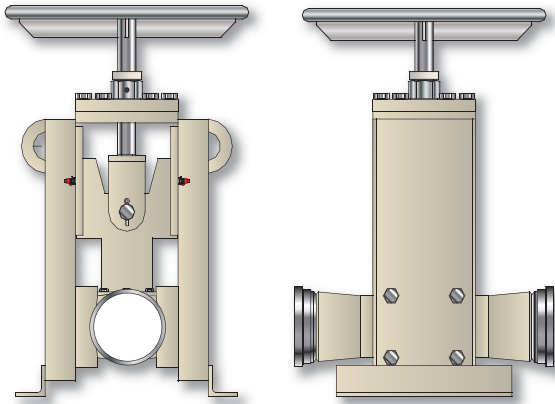
The Column Shut-Off valve is designed for use on forms having flat or curved surfaces. Round forms of unusually small diameters may require a modified base plate, consult factory. The standard base plates provide multiple mounting holes, as shown in picture. Typical spacing is 8-10 feet maximum between valves. Forms must have sufficient opening at the top to prevent uplift of forms.

**Maximum rated working pressure of (V50CSD) is 200psi (14bar). Consult factory for details and ratings of other sizes.**

## COLUMN SHUT-OFF VALVES

Size (in./mm)	End Style		Single Sided Hevi-Duty™
	Hevi-Duty™	Metric	
2.0/50.8	N/A		V20SSCSD
2.5/63.5	V25CSD		V25SSCSD
3.0/76	V30CSD		V30SSCSD
4.0/102	V40CSD		
5.0/125	V50CSD	V50CSM	
6.0/152	V60CSD		





**MANUAL SHUT-OFF VALVE**

The Manual Shut-Off valve features a cast valve body with heavy wall sections for wear. The main body is designed with a round to square transition sized to equalize concrete velocity through the valve. Teflon valve packing seals are easily adjusted to control leakage and can be replaced without disassembling the valve. Maximum rated working pressure is 400ft. and/or 122 meters (28bar/400psi) vertical rise of concrete line. **Consult factory for 6" valve specifications.**

The same features can be found on our Hydraulic shut-off valve (page 44) V50HSB & V60HSB. The hydraulic version uses a single cylinder to achieve valve closure.

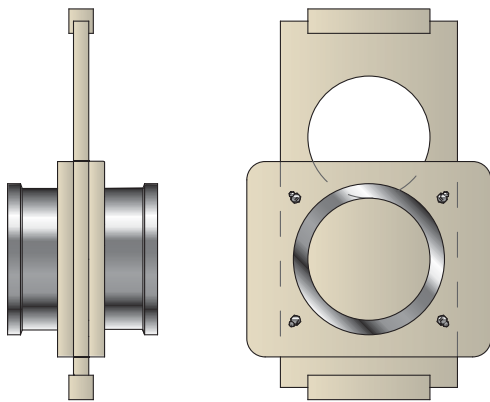
### MANUAL SHUT-OFF VALVE

Size (in./mm)	Part Number
4.0/102	V40SB_
5.0/125	V50SB_
6.0/152	V60SB_

Specify type of ends required.

The Hose Shut-Off valve features a welded valve body assembly with a 3/8" steel sliding plate. This valve provides a lower cost alternative to the Hammer shut-off valve. This style valve can not be disassembled for cleaning, and has generous clearances built-in.

**Maximum pressure rating is 200 feet vertical end of line usage.**



**HOSE SHUT-OFF VALVE**

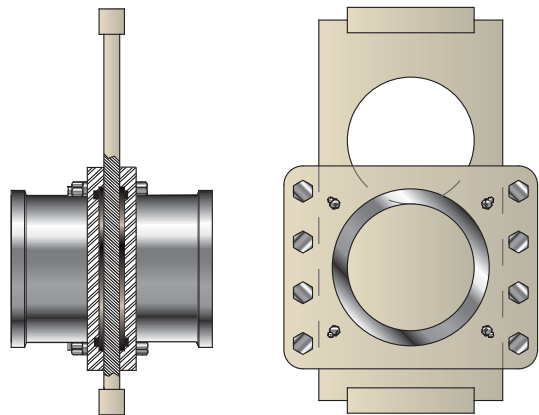
### HOSE SHUT-OFF VALVE

Size (in./mm)	Pressure (bar/psi)	No Seal
2.0/51	14/200	V20HS_
2.5/63.5	14/200	V25HS_
3.0/76	14/200	V30HS_
4.0/102	14/200	V40HS_
5.0/125	14/200	V50HS_
6.0/152	14/200	V60HS_

Specify type of ends required.

The Hammer Shut-Off valve features versions with single or dual hardened seal rings. A heavy plate is used to construct the sliding plate and side plates. The removable side plates facilitate cleaning.

**Maximum pressure rating is 300 feet vertical.**



**HAMMER SHUT-OFF VALVE**

### HAMMER SHUT-OFF VALVE

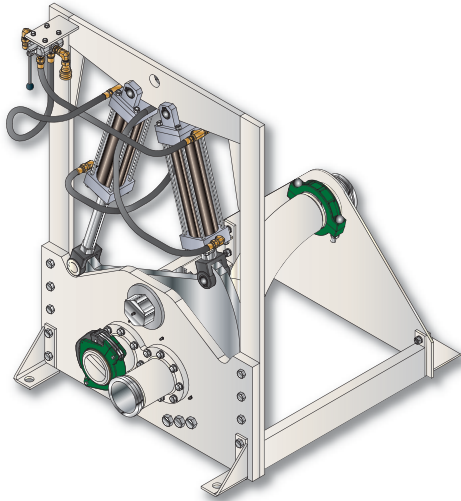
Size (in./mm)	Single Seal	Dual Seals
2.0/51	N/A	V20XHS_
2.5/63.5	N/A	V25XHS_
3.0/76	V30HS_-S	V30XHS_
4.0/102	V40HS_-S	V40XHS_
5.0/125	V50HS_-S	V50XHS_
6.0/152	V60HS_-S	V60XHS_

Specify type of ends required.



## KEY VALVE CHARACTERISTICS

- Versatile & rugged construction
- Quick shut-off & easy clean up
- Lifting eyes for ease of movement
- Mounting brackets for secure anchoring
- Hardened wear plates & floating steel sealing rings

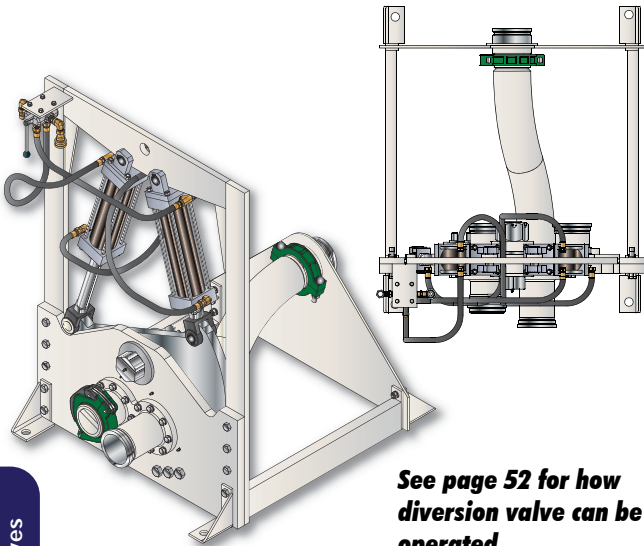


The versatile 5" CF Hydraulic Diversion Valve can be set-up to operate in two different modes. As a switcher valve, it can be used in set-ups where one concrete pump is feeding two placement lines. Using this technique, a smooth and quick conversion can be made from one line to the other to increase the concrete placing capacity and flexibility of the entire system. As a Shut-Off Valve, the hydraulically powered switcher valve is installed in the horizontal placing line at the base of the vertical rise to shut off the line. The line from the pump is connected to one of two inlet ports. The other inlet is then fitted with a cap or piped to a designated area for concrete disposal. The outlet port is connected to the placing line system. The concrete filled line can then be hydraulically switched to the side with the cap, thereby holding the vertical head of concrete while the pump is stopped. **Valves that use 148mm ends have a maximum pressure rating of 85bar (1233psi).**

### HYDRAULIC DIVERSION VALVE

Size (in./mm)	Working pressure (bar/psi)	End Style	Part Number
3.0/76	172/2500	Hevi-Duty™	V30HYD
5.0/125	103/1500	Hevi-Duty™	V50HYD
5.0/125	172/2500	Hevi-Duty™	V50HYD-HP
6.0/152	Consult factory.	Hevi-Duty™	V60HYD
6.0/152	Consult factory.	Putzmeister Male/Female	V60HYP

Other end styles are available upon request. Consult factory.



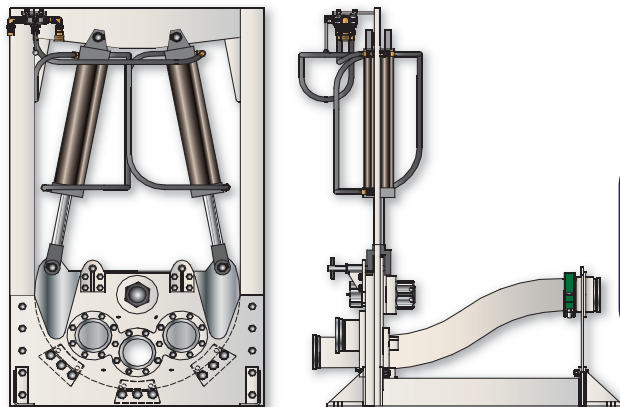
**See page 52 for how diversion valve can be operated**

The versatile 5" CF Hydraulic Double Diversion Valve works as a push pull operation. The push pull is done by two 4" bore 12" stroke hydraulic cylinders. A manually operated hydraulic directional control valve is mounted on the unit. Two replaceable, hardened steel rings provide a seal between the 1-1/2" thick valve plates. The seals are machined into the front plate. Pressure of hydraulic control system cannot exceed 2500psi (172bar). The diversion valve body is rated at a nominal concrete working pressure of 1500psi (103bar) (3:1 SF ) when new. The valve can be operated as a double diversion valve; one inlet, two outlets with a clean out port for each outlet, or a double diversion valve; with one inlet, a priming port and two clean out ports, a stop plug may be installed into the shorter pipe on the double flange assembly to deadhead the line in one position. **Valves that use 148mm ends have a maximum pressure rating of 85bar (1233psi).**

### HYDRAULIC DOUBLE DIVERSION VALVE

Size (in./mm)	Working pressure (bar/psi)	End Style	Part Number
5.0/125	103/1500	Hevi-Duty™	V50HYDDD
5.0/125	103/1500	Schwing Male / Female	V50HYDDEF
5.0/125	103/1500	Putzmeister ZX Male/Female	V50HYDDZX

Other end styles are available upon request. Consult factory.



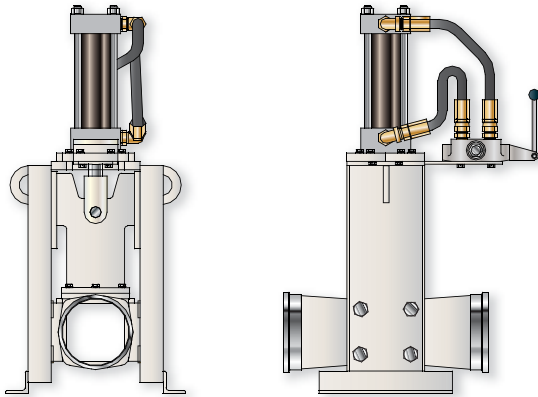
### HYDRAULIC DIVERSION VALVE with 3 OUTLET PORTS

Size (in./mm)	Working pressure (bar/psi)	End Style	Part Number
5.0/125	103/1500	Hevi-Duty™	V50HYDT

Other end styles are available upon request. Consult factory.

For additional information or to place an order, please call **800.223.3676**





The Hydraulic Shut-Off valve features a cast valve body with heavy wall sections for wear. The main body is designed with a round to square transition sized to equalize concrete velocity through the valve. Teflon valve packing seals are easily adjusted to control leakage and can be replaced without disassembling the valve. Maximum rated working pressure is 400ft. (122 meters) 28bar (400psi) vertical rise of concrete line. Consult factory for 6" valve specifications.

The same features can be found on our manual shut-off valve (page 42) V50SB & V60SB. The manual version uses a hand wheel and Acme threaded rod to achieve valve closure.

### HYDRAULIC SHUT OFF VALVE

Size (in./mm)	Part Number
5.0/125	V50HSB_
6.0/152	V60HSB_

Specify type of ends required. Consult factory details.

The Hydraulic Shut-Off valve with twin cylinders features a push-pull operation by two 2.5" bore hydraulic cylinders. The valve body is rated at a nominal concrete working pressure of 1500psi (103bar). The sliding shut-off plate has two hardened steel rings to provide a seal between the stationary and moveable valve plates.

**Valves that use 148mm ends have a maximum pressure rating of 85bar (1233psi).** Consult factory for 6" valve specifications.

### HYDRAULIC SHUT OFF VALVE - TWIN CYLINDER

Size (in./mm)	Part Number
2.0/50.8	V20HST_
2.5/63.5	V25HST_
5.0/125	V50HST_
6.0/152	V60HST_

Specify type of ends required. Consult factory details.

The Hydraulic Sliding Shut-Off valve features a push-pull operation by one hydraulic cylinder. The valve body is rated at a nominal concrete working pressure of 1233psi/85bar. The sliding shut-off/diversion plate has a single hardened steel ring to provide a seal between the stationary and moveable valve plate.

**Valves that use 148mm ends have a maximum pressure rating of 85bar (1233psi).** Consult factory for 6" valve specifications.

### HYDRAULIC SLIDING SHUT OFF / DIVERSION VALVE

Size (in./mm)	Weld End Style	Part Number
5.0/125	Hevi-Duty™	135-12639
6.0/152	Hevi-Duty™	135-14740

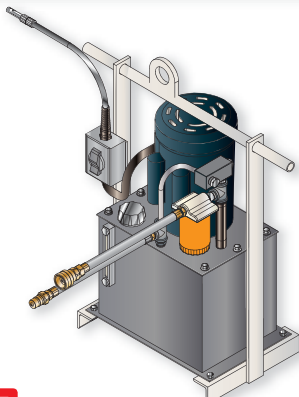
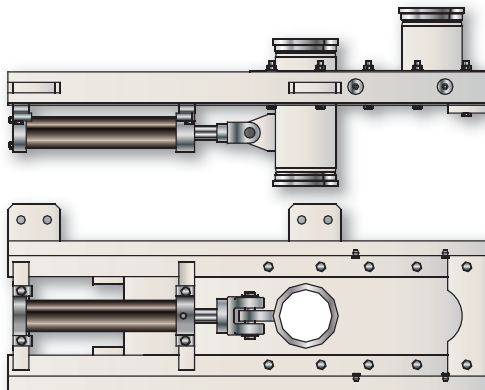
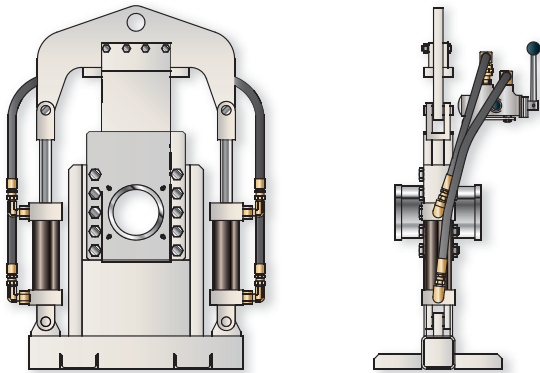
Other end configurations available. Consult factory details.

Other port configurations available. Consult factory details.

### HYDRAULIC POWER PACK

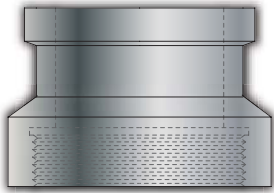
Motor Size	Description	Part Number
1.5 HP 115/230V		VHYPP
1.5 HP 115/230V	50Hz. Pkg.	VHYPP-50Hz

Other configurations available. Consult factory details.



# END ADAPTORS

**HEVI-DUTY™**



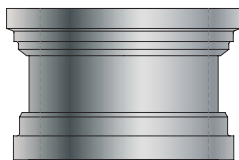
**FEMALE THREAD**

**FLARED**



**FEMALE THREAD**

**HEVI-DUTY™**



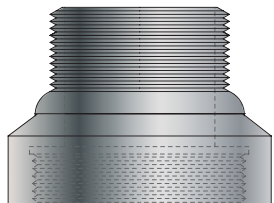
**METRIC**

**MALE THREAD**



**HEVI-DUTY™**

**MALE THREAD**



**FEMALE THREAD**

## ADAPTORS FOR JOINING DISSIMILAR END TYPES

Size (in./mm)	Style	Part Number
1.50/38	Hevi-Duty to Female Thread	AD15DF
1.50/38	Hevi-Duty to Male Thread	AD15DM
2.0/51	Hevi-Duty to Female Thread	AD20DF
2.0/51	Flared to Female Thread	AD20JF
2.0/51	Flared to Male Thread	AD20JM
2.0/51	Grooved to Hevi-Duty	AD20GD
2.0/51	Grooved to Male Thread	AD20GM
2.0/51	Grooved to Female Thread	AD20GF
2.0/51	Hevi-Duty to Flared	AD20DJ
2.0/51	Hevi-Duty to Male Thread	AD20DM
2.5/63.5	Hevi-Duty to Female Thread	AD25DF
2.5/63.5	Hevi-Duty to Male Thread	AD25DM
2.5/63.5	Grooved to Hevi-Duty	AD25GD
3.0/76	Hevi-Duty to Female Thread	AD30DF
3.0/76	Hevi-Duty to Male Thread	AD30DM
3.0/76	Grooved to Hevi-Duty	AD30GD
4.0/102	Hevi-Duty to Female Thread	AD40DF
4.0/102	Hevi-Duty to Metric	AD40DM
4.0/102	Hevi Duty to Male NPT Thread	AD40DMT
5.0/125	Hevi-Duty to Metric	AD50DM
5.0/125	Hevi-Duty to Female Euro	AD50DF
6.0/152	Hevi-Duty to Metric	AD60DM
6.0/152	Hevi-Duty to Female Euro	AD60DF
6.0/152	Hevi-Duty to Male Euro	AD60DE
6.0/152	Putzmeister Metric to Hevi-Duty	AD60PD
6.0/152	Putzmeister ZX Male to Hevi-Duty	AD60ZED
7.0/180	Female Euro to Hevi-duty	AD70FDH

Some adaptors are available heat treated.  
Other end styles available upon request. Consult factory.



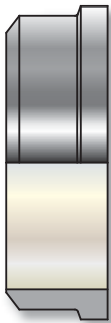
**148mm CCI-Lined  
Boom pipe weld end  
for Ultra III**



**148mm Double Wall  
Boom pipe weld end  
for Ultra II**



**148mm Steel  
Boom pipe weld end  
for XL-92 / ST-52**



**HEVI-DUTY™  
chamfered weld end**



**148mm  
chamfered weld end**

## BOOM PIPE WELD ENDS

Related Pipe	End Type	Length (in/mm)	Part Number	
			148mm	Hevi-Duty™
Ultra III	CCI-Lined	1.38/34.9	158-11774	158-11903
Ultra II	Double Wall	1.25/31.8	WE47M125U7	WE47D125U7
XL-92	Steel	1.25/31.8	WE48M125S7	WE48D125S7

Other end styles available consult factory for details and availability.

## DECK PIPE WELD ENDS

Related Pipe	End Type	Length (in/mm)	Part Number	
			148mm	Hevi-Duty™
Ultra III	CCI-Lined	1.38/34.9	158-12982	158-12990
Ultra II	Steel	1.38/34.9	WE48M137U4	WE48D137U4
XL-92	Steel	1.38/34.9	WE48M137S4	WE48D137S4

Other end styles available consult factory for details and availability.

## HEVI-DUTY™ CHAMFERED WELD ENDS

Size (in./mm)	Length (in/mm)	Part Number	
		Non-Hardened	Hardened
1.5/38	1.12/28.4	WE15D112C	WE15D112CH
2.0/51	1.12/28.4	WE20D112C	WE20D112CH
2.5/63.5	1.12/28.4	WE25D112C	WE25D112CH
3.0/76	1.12/28.4	WE30D112C	WE30D112CH
4.0/102	1.25/31.8	WE40D125C	WE40D125CH
4.8/122	1.25/31.8	WE48D125C	WE48D125CH
5.0/125	1.25/31.8	WE50D125C	WE50D125CH
6.0/153	1.25/31.8	WE60D125C	WE60D125CH

Other end styles available consult factory for details and availability.

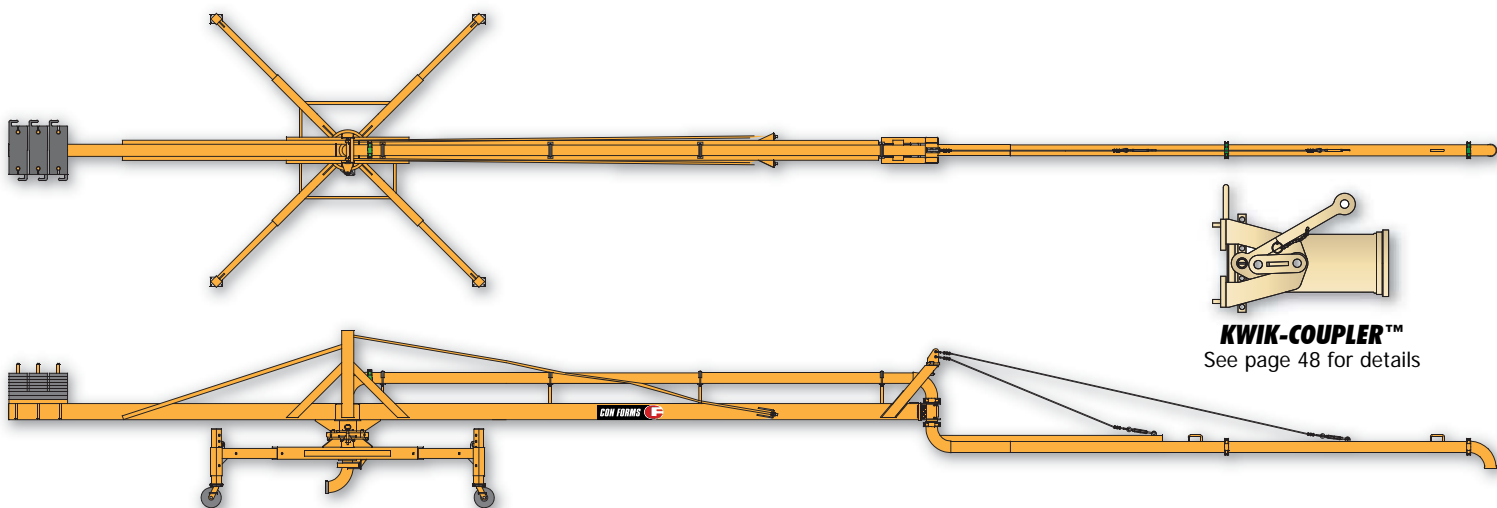
## METRIC CHAMFERED WELD ENDS

Size (in./mm)	Length (in/mm)	Part Number	
		Non-Hardened	Hardened
4.0/102	1.25/31.8	WE40M125C	WE40M125CH
4.8/122	1.25/31.8	WE48M125C	WE48M125CH
5.0/125	1.25/31.8	WE50M125C	WE50M125CH
6.0/153	1.25/31.8	WE60M125C	WE60M125CH

Other end styles available consult factory for details and availability.

Weld ends & Adaptors





## PRODUCT DESCRIPTION

The Con Forms Krete Placer is designed to bridge the gap between the expense of a placing boom and the manual labor of dragging hose. Standard units are available with boom reach radii of 32', 40', 60' and 70'. The design of the CF Krete Placer provides easy portability to and from the job and requires minimum labor for installation. Features include 360 degree articulating two-stage boom providing maximum maneuverability for the precise placement of concrete. The features of the CF Krete Placer are further enhanced through a variety of accessories including casters, rail systems and hydraulic powered radio remote controlled boom options. Con Forms Krete Placers are customizable units, ideal for placing concrete on decks and high-rise projects. Custom placers are available upon request. Please consult factory.

## FEATURES

### Standard Features

- Heavy duty swivel bearing
- Double swivel boom for precise concrete placement
- Manufactured counterweights
- Pin type vertical leg adjustments
- 5" Hevi-Duty™ delivery system

### Options

- Elevated tower mounts
- Aluminum light rail mount
- Variety of caster styles
- Leg extensions

### Power Options

- Manual or Remote controlled
- 1st stage power (rotational)
- 1st and 2nd stage power (rotational)
- 1st, 2nd, and 3rd stage power (rotational with elevation jib)

## KRETE PLACER (Manual version)

Description	Part Number
32' Deck Placer	DP5032
40' Deck Placer	DP5040
40' Deck Placer	DP5040-STD
60' Deck Placer	DP5060-STD
70' Deck Placer	DP5070-STD
For replacement parts. Consult factory.	

## KRETE PLACER (Hydraulic powered version)

Description	Part Number
40' Deck Placer	DP5040HYD-2-COM
40' Deck Placer	DP5040HYD-3-COM
60' Deck Placer	DP5060HYD-2-COM
60' Deck Placer	DP5060HYD-3-COM
70' Deck Placer	DP5070HYD-2-COM
For replacement parts. Consult factory.	

## THE COMPLETE PACKAGE

Con Forms Provides "Value Added" Engineering Support

### Project Layout

- Our experienced engineering staff, with years of exposure to a wide variety of projects, are available to assist with project and equipment recommendations.

### Technology

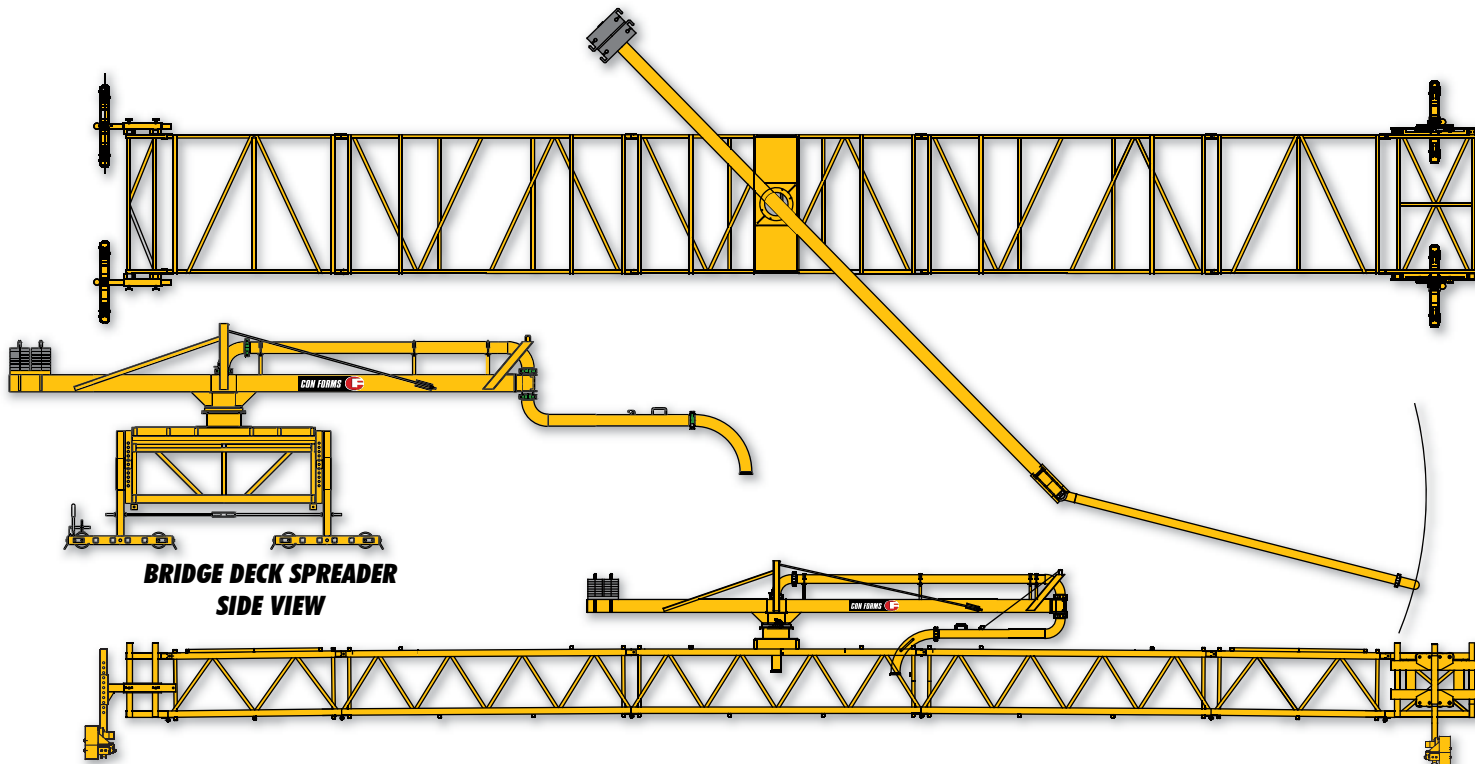
- Our engineers will provide product design information and project support to the customer and their outside vendors.

### Custom Design and Support

- Engineering and field support staff are available to provide product modifications that serve the evolving demands of the project.







**BRIDGE DECK SPREADER  
SIDE VIEW**

**BRIDGE DECK SPREADER**

The CF Bridge Deck Spreader provides a method of distributing concrete on bridge decks that are not accessible by other means of concrete delivery. The Bridge Deck Spreader provides a 360 degree articulating two-stage boom that provides maximum maneuverability for the accurate placement of concrete. Sectional truss systems are available in width combinations from 43' to 60' with standard boom reach of 32'. Custom placers for specific applications are available upon request.

Please consult factory.

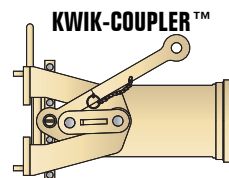
The boom of the Bridge Deck Spreader is self-contained on an adjustable truss system. The truss assembly is fitted with bogies that provide the Bridge Deck Spreader the freedom to travel on the screed rail and not interfere with the steel reinforcement already installed on the bridge deck. Custom hydraulic features can be added to provide maximum productivity.

**AVAILABLE FEATURES:**

- Heavy duty swivel bearing
- 24" CLR boom elbows
- Roller bearing bogies
- Legs can be reversed for parapet mounted rails
- Horizontally and vertically adjustable
- Can be transported via conventional trailers.

**OPTIONS:**

- Hydraulic powered bogies
- Hydraulic boom pivot
- Double swivel boom for easy maneuverability
- Adjustable height and span
- Adjustable truss platform
- Precise concrete placement
- Boom reach radius of 32', 40' and 60'
- 5" Hevi-Duty™ delivery system



<b>KWIK-COUPLER™</b>		
Size in / mm	Kwik-Coupler Part Number	Gasket Part Number
4/102	KC40DD	KCG40D
5/125	KC50DD	KCG50D

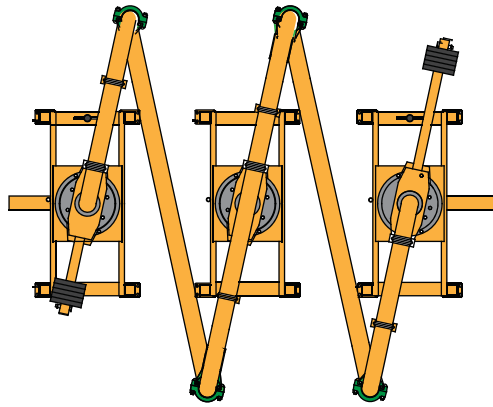


# TUNNEL PLACERS

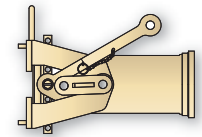
## PRODUCT DESCRIPTION

Con Forms Tunnel Placers provide the most efficient and safe method of pumping concrete into a tunnel form. The CF Tunnel Placer is equipped with a hydraulic powered boom and self-propelled drive features. The boom rotates 300 degrees and extends to accommodate a variety of tunnel form diameters. The self-sealing connection port provides a pressure relief feature that prevents over-pressurizing the concrete at the form.

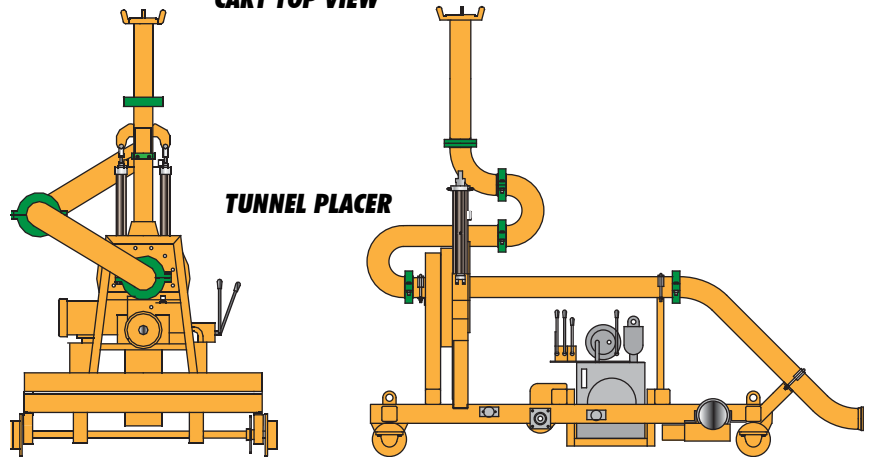
Features include a choice of horizontal or vertical scissor carts, which provide a continuous delivery of concrete to the tunnel placer, while traveling the distance of the form. Units can be supplied with various power options, including manual and remote control. Please consult factory.



**TUNNEL PLACER  
CART TOP VIEW**



**KWIK-COUPLER™**  
See page 48 for details

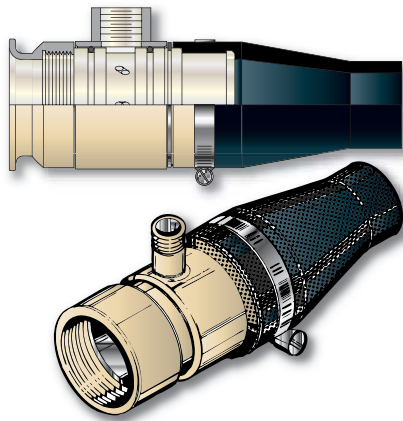


**TUNNEL PLACER**

## CUSTOM ENGINEERED TO YOUR PROJECT SPECIFICATIONS:

- Hydraulically powered telescoping boom
- Boom rotates 300 degrees
- Quick and easy boom-to-port connection and disconnection
- Simple operation
- Powered scissors cart travels easily on rail system





## SHOTCRETE NOZZLES

Size	Replacement Tip Only	Part Number
1.25	194-11385	194-11387_
1.50	194P11869	194-15274_
2.00	194P09797	194-10499_
2.50	194P10512	194-15264_
2.50 with 2" Inlet	194P10512	194-15264_2
3.00	N/A	194-11091_

Specify end type required.

End Types: D = Hevi-Duty™ J = Flared F = Female M = Male G = Grooved



## STEEL REDUCERS

Inlet End (i.d.)	Outlet End (i.d.)	Length (in.)	Length (mm)	Weight (lbs./kg)	Part Number
2.0	1.13	24	609	7.7/3.5	R201224DF
2.0	1.5	12	304	5.0/2.3	R201512D
2.0	1.5	18	457	6.1/2.8	R201518D
2.5	2.0	28	711	17.5/7.9	R252028D
3.0	2.0	28	711	18.5/8.4	R302028D
3.0	2.0	28	711	18.5/8.4	R302028DG
3.0	2.5	28	711	18.5/8.4	R302528D
3.0	2.0	36	914	21.5/9.8	R302036D
3.0	2.0	36	914	20/9.1	R302036DG
4.0	3.0	36	914	32/14.5	R403036D
5.0	4.0	36	914	37/17	R504036D

## HARDENED CAST REDUCER

FULL 9.5mm WALL THROUGHOUT WITH HEVI-DUTY™ ENDS

3.0	2.0	28	711	30/13.6	186P18277
-----	-----	----	-----	---------	-----------

Specify heated treated by placing a H after the part number

End Types: D = Hevi-Duty™ J = Flared F = Female M = Male G = Grooved

Other sizes, lengths and end styles available. Consult factory for details



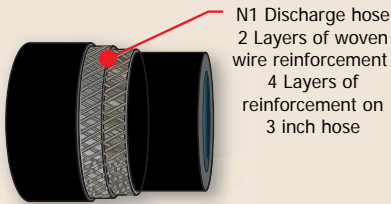
## SMALL LINE COUPLINGS

Size (in / mm)	End Type	Shipping Weight (lbs. / Kg.)	Part Number	Extra Gaskets Part Number
1.5/38	Grooved	1.6 / .73	C15SG	CG15G
1.5/38	Hevi-Duty™	3.0 / 1.4	C15SD	CG15D
2/50.8	Grooved	2.4 / 1.1	C20SG	CG20G
2/50.8	Hevi-Duty™	4.8 / 2.2	C20SD	CG20D
2.5/63.5	Hevi-Duty™	5.0 / 2.3	C25SD	CG25D
3/76	Hevi-Duty™	8.5 / 3.9	C30SD	CG30D
4/102	Hevi-Duty™	10.9 / 4.9	C40SD	CG40D
5/127	Hevi-Duty™	13.5 / 6.1	C50SD	CG50D

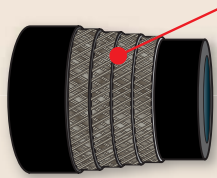
See additional couplings, gaskets and accessories on pages 21 thru 24



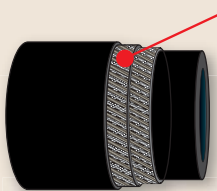
# SHOTCRETE & SMALL LINE



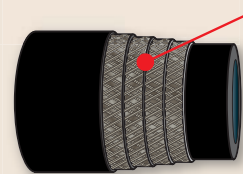
**N1 Discharge hose**  
2 Layers of woven wire reinforcement  
4 Layers of reinforcement on 3 inch hose



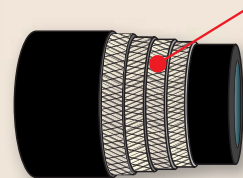
**N2 Boom hose**  
4 Layers of woven wire reinforcement



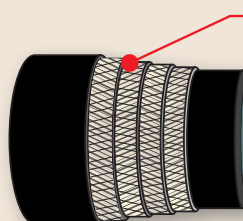
**N3 Discharge hose**  
2 Layers of woven cable reinforcement



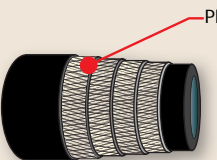
**Steel Bond 1250**  
4 layers of woven wire reinforcement



**Super Flex 1250**  
4 Layers of woven fiber reinforcement  
6 Layers on 3 inch



**Flex-Bond Discharge**  
4 Layers of woven fiber reinforcement  
6 Layers on 3 inch



**Plaster & Grout Discharge**  
4 Layers of high strength synthetic cord  
40 Bar working pressure 3:1 SF



**High Pressure**  
4 layers of woven wire reinforcement

## N1 DISCHARGE HOSE (TRELLEBORG)

Branding

**TRELLEBORG PULSOR 125**

in.	Size mm	Mfg. Min. Burst (bar / psi)	Working Pressure (bar / psi)	Shipping Weight (lbs / kg.) ft.	F.W.C. (lbs / kg.) ft.	Part Number
1-1/4	32	200 / 2940	70 / 1000	0.6 / .27	1.9 / .9	H12N1___K
1-1/2	38	200 / 2940	70 / 1000	0.8 / .36	2.7 / 1.2	H15N1___K
2	51	200 / 2940	70 / 1000	1.5 / .68	4.7 / 2.1	H20N1___K
2-1/2	63.5	200 / 2940	70 / 1000	2.6 / 1.2	7.9 / 3.6	H25N1___K
3	76	125 / 1838	42 / 600	3.3 / 1.5	10.7 / 4.9	H30N1___K

## N2 BOOM HOSE (TRELLEBORG)

Branding

**TRELLEBORG PULSOR 200**

3	76	200 / 2940	85 / 1233	3.7 / 1.7	11.1 / 5.0	H30N2___K
3-1/2	89	200 / 2940	85 / 1233	4.8 / 2.2	15.1 / 6.8	H35N2___K

## N3 DISCHARGE HOSE (IVG)

Branding

**CON FORMS P200™**

2	51	170 / 2500	85 / 1233	1.9 / .86	5.2 / 2.36	H20N3___C
2-1/4	57	170 / 2500	85 / 1233	2.5 / 1.14	7.6 / 3.46	H22N3___C
2-1/2	63.5	170 / 2500	85 / 1233	2.5 / 1.14	7.6 / 3.46	H25N3___C

## STEEL BOND 1250 BOOM HOSE (SB)

Branding

**STEEL BOND 1250**

1-1/2	38	170 / 2500	85 / 1233	1.22 / .56	3.1 / 1.4	H15SB___C
2	51	170 / 2500	85 / 1233	1.54 / .70	4.8 / 2.2	H20SB___C
2-1/2	63.5	170 / 2500	85 / 1233	2.24 / 1.0	7.4 / 3.3	H25SB___C
3	76	170 / 2500	85 / 1233	4.29 / 1.9	11.7 / 5.3	H30SB___C

## SUPER FLEX 1250 DISCHARGE HOSE (SF)

Branding

**CON FORMS SUPER FLEX 1250**

1-1/4	32	170 / 2500	85 / 1233	.71 / .32	1.9 / .9	H12SF___C
1-1/2	38	170 / 2500	85 / 1233	.97 / .44	2.8 / 1.7	H15SF___C
2	51	170 / 2500	85 / 1233	1.5 / .66	4.7 / 2.1	H20SF___C
2-1/4	57.4	170 / 2500	85 / 1233	1.3 / .61	5.5 / 2.5	H22SF___C
2-1/2	63.5	170 / 2500	85 / 1233	1.8 / .82	6.9 / 3.1	H25SF___C
3	76	170 / 2500	85 / 1233	2.5 / 1.1	9.9 / 4.5	H30SF___C

## FLEX-BOND DISCHARGE HOSE (FB)

Branding

**CON FORMS FLEX BOND DISCHARGE HOSE**

1	25	275 / 4000	68 / 1000	.65 / .29	1.4 / .64	H10FB___C
1-1/4	32	165 / 2400	55 / 800	.77 / .35	2.1 / .95	H12FB___C
1-1/2	38	165 / 2400	55 / 800	0.9 / .41	2.7 / 1.2	H15FB___C
2	51	165 / 2400	55 / 800	1.2 / .54	4.5 / 2.0	H20FB___C
2-1/2	63.5	165 / 2400	55 / 800	1.7 / .77	6.8 / 3.1	H25FB___C
3	76	138 / 2000	46 / 666	2.5 / 1.1	9.9 / 4.5	H30FB___C

## PLASTER & GROUT DISCHARGE HOSE (PG)

Branding

**CON FORMS PLASTER & GROUT**

1	32	120 / 1800	40 / 600	0.6 / .27	1.1 / .5	H10PG___C
1-1/2	35	120 / 1800	40 / 600	.97 / .44	2.2 / 1.0	H15PG___C
2	50	120 / 1800	40 / 600	1.2 / .54	4.3 / 1.9	H20PG___C

## HIGH PRESSURE STEEL WIRE HOSE (HP)

Branding

**CON FORMS H.P. STEEL WIRE HOSE**

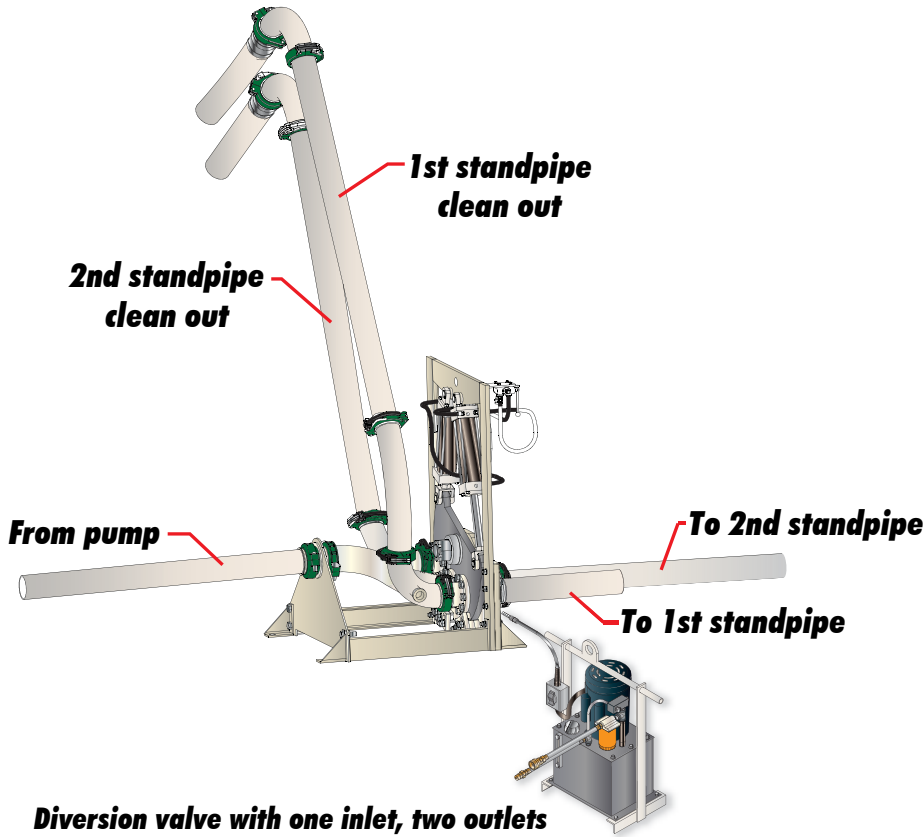
2	51	275 / 4000	85 / 1233	2.67 / 1.2	5.94 / 2.69	H20HW___C
---	----	------------	-----------	------------	-------------	-----------



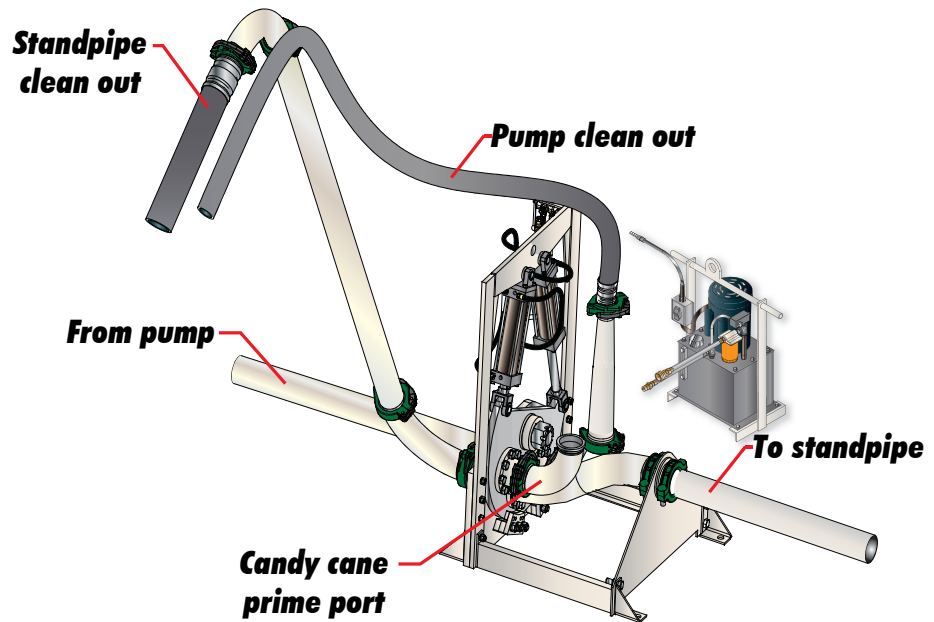


# HYDRAULIC DOUBLE DIVERSION VALVE

## Operational layouts



**Diversion valve with one inlet, two outlets and clean out ports for both outlets**



**Diversion valve with one inlet and outlet, priming port and clean out ports for inlet and outlet**



# REFERENCE DATA PIPE and HOSE PART NUMBER CHART

## PIPE

\* **B** SECTION 1    **48** SECTION 2    **TW** SECTION 3    **B812** SECTION 4    **M** SECTION 5    SECTION 6

### SAMPLE PART NUMBER:

\***B48TWB812M** = 118.12" (3 meter) section of 4.8" I.D. TW325 Boom Pipe with Metric Ends

SECTION 1	SECTION 4: OVERALL LENGTH (INCHES)	SECTION 5: END STYLE																																																																				
B = Boom truck BC = Ultra Plus product BCC = Chrome Carbide Insert (CCI)	<div style="display: flex; justify-content: space-around; align-items: center;"> <div style="border: 1px solid black; padding: 2px; text-align: center;"><b>B</b> <small>10 INCH INCREMENTS</small></div> <div style="border: 1px solid black; padding: 2px; text-align: center;"><b>8</b> <small>1 INCH INCREMENTS</small></div> <div style="font-size: 20px;">•</div> <div style="border: 1px solid black; padding: 2px; text-align: center;"><b>12</b> <small>FRACTIONAL INCREMENTS</small></div> </div>	D = Hevi-Duty™ M = Metric																																																																				
SECTION 2: INSIDE DIAMETER	<table border="0"> <tr><td>0 = 0"</td><td>H = 170"</td><td>0 = 0"</td><td>06 = 1/16"</td></tr> <tr><td>1 = 10"</td><td>J = 180"</td><td>1 = 1"</td><td>12 = 1/8"</td></tr> <tr><td>2 = 20"</td><td>K = 190"</td><td>2 = 2"</td><td>18 = 3/16"</td></tr> <tr><td>3 = 30"</td><td>L = 200"</td><td>3 = 3"</td><td>25 = 1/4"</td></tr> <tr><td>4 = 40"</td><td>M = 210"</td><td>4 = 4"</td><td>31 = 5/16"</td></tr> <tr><td>5 = 50"</td><td>N = 220"</td><td>5 = 5"</td><td>37 = 3/8"</td></tr> <tr><td>6 = 60"</td><td>P = 230"</td><td>6 = 6"</td><td>43 = 7/16"</td></tr> <tr><td>7 = 70"</td><td>Q = 240"</td><td>7 = 7"</td><td>50 = 1/2"</td></tr> <tr><td>8 = 80"</td><td>R = 250"</td><td>8 = 8"</td><td>56 = 9/16"</td></tr> <tr><td>9 = 90"</td><td>S = 260"</td><td>9 = 9"</td><td>62 = 5/8"</td></tr> <tr><td>A = 100"</td><td>T = 270"</td><td></td><td>68 = 11/16"</td></tr> <tr><td>B = 110"</td><td>U = 280"</td><td></td><td>75 = 3/4"</td></tr> <tr><td>C = 120"</td><td>V = 290"</td><td></td><td>81 = 13/16"</td></tr> <tr><td>D = 130"</td><td>W = 300"</td><td></td><td>87 = 7/8"</td></tr> <tr><td>E = 140"</td><td>X = 310"</td><td></td><td>93 = 15/16"</td></tr> <tr><td>F = 150"</td><td>Y = 320"</td><td></td><td></td></tr> <tr><td>G = 160"</td><td>Z = 330"</td><td></td><td></td></tr> </table>	0 = 0"	H = 170"	0 = 0"	06 = 1/16"	1 = 10"	J = 180"	1 = 1"	12 = 1/8"	2 = 20"	K = 190"	2 = 2"	18 = 3/16"	3 = 30"	L = 200"	3 = 3"	25 = 1/4"	4 = 40"	M = 210"	4 = 4"	31 = 5/16"	5 = 50"	N = 220"	5 = 5"	37 = 3/8"	6 = 60"	P = 230"	6 = 6"	43 = 7/16"	7 = 70"	Q = 240"	7 = 7"	50 = 1/2"	8 = 80"	R = 250"	8 = 8"	56 = 9/16"	9 = 90"	S = 260"	9 = 9"	62 = 5/8"	A = 100"	T = 270"		68 = 11/16"	B = 110"	U = 280"		75 = 3/4"	C = 120"	V = 290"		81 = 13/16"	D = 130"	W = 300"		87 = 7/8"	E = 140"	X = 310"		93 = 15/16"	F = 150"	Y = 320"			G = 160"	Z = 330"			H = Hardened (blank) = Non-hardened *only used for products that have both a hardened and a non-hardened option. Leave blank for TW and CCI products.
0 = 0"	H = 170"	0 = 0"	06 = 1/16"																																																																			
1 = 10"	J = 180"	1 = 1"	12 = 1/8"																																																																			
2 = 20"	K = 190"	2 = 2"	18 = 3/16"																																																																			
3 = 30"	L = 200"	3 = 3"	25 = 1/4"																																																																			
4 = 40"	M = 210"	4 = 4"	31 = 5/16"																																																																			
5 = 50"	N = 220"	5 = 5"	37 = 3/8"																																																																			
6 = 60"	P = 230"	6 = 6"	43 = 7/16"																																																																			
7 = 70"	Q = 240"	7 = 7"	50 = 1/2"																																																																			
8 = 80"	R = 250"	8 = 8"	56 = 9/16"																																																																			
9 = 90"	S = 260"	9 = 9"	62 = 5/8"																																																																			
A = 100"	T = 270"		68 = 11/16"																																																																			
B = 110"	U = 280"		75 = 3/4"																																																																			
C = 120"	V = 290"		81 = 13/16"																																																																			
D = 130"	W = 300"		87 = 7/8"																																																																			
E = 140"	X = 310"		93 = 15/16"																																																																			
F = 150"	Y = 320"																																																																					
G = 160"	Z = 330"																																																																					
SECTION 3: WALL TYPE		SECTION 6																																																																				
TW = Standard Weight TWL = Light Weight TWUL = Ultra Light Weight CC = (Chrome Carbide) XW = Heavy Weight 9 = 9 Gauge 7 = 7 Gauge																																																																						

## HOSE

\* **H** SECTION 1    **50** SECTION 2    **S1** SECTION 3    **10** SECTION 4    **D2** SECTION 5    **C** SECTION 6

### SAMPLE PART NUMBER:

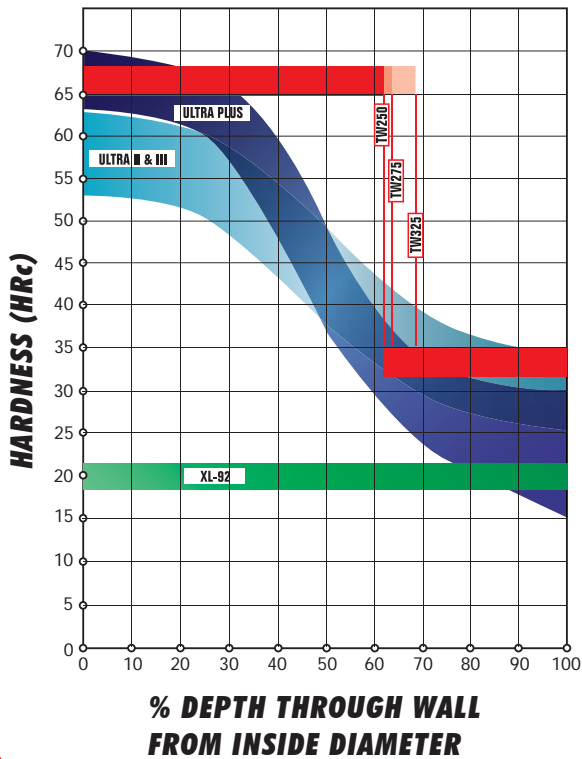
\***H50S110D2C** = 10' length of 5.0" I.D. Steelbond Discharge Hose with 2 Hevi-Duty Ends

SECTION 1	SECTION 2: INSIDE DIAMETER	SECTION 3: HOSE TYPE	SECTION 4: OVERALL LENGTH (FEET)	SECTION 5: END STYLE
H = Hose	10 = 1" 12 = 1.25" 15 = 1.5" 20 = 2" 25 = 2.5" 30 = 3" 35 = 3.5" 40 = 4" 45 = 4.5" 50 = 5" 60 = 6"	SF = Super Flex 1250 SB = Steel Bond 1250 FB = Flex Bond Discharge S1 = Steel Bond Discharge S2 = Steel Bond Boom N1 = Trelleborg Discharge N2 = Trelleborg Boom N3 = IVG Small Line RN = Ruff-Neck Reducing HW = 2" High Pressure PG = Plaster & Grout	03 = 3' 04 = 4' 05 = 5' 06 = 6' 07 = 7' 08 = 8' 09 = 9' 10 = 10' 11 = 11' 12 = 12' ... 99 = 99' 100 = 100'	M1 = Metric (1 end) D1 = Hevi-Duty™ (1 end) M2 = Metric (2 ends) D2 = Hevi-Duty (2 ends) TM = Tapered Metric TD = Tapered Hevi-Duty RD = Tapered Neck Hevi-Duty RM = Tapered Metric
				SECTION 6
				C = Steel Bond / Flex Bond K = Trelleborg / Kleber





## HARDNESS PROFILE OF PIPE WALL



## CONCRETE PLACING SYSTEM ENGINEERING DATA

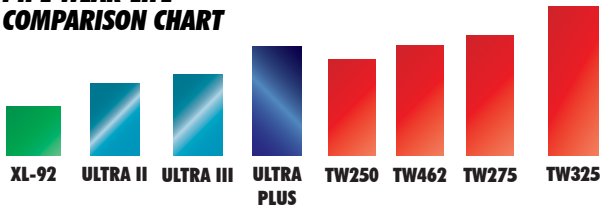
PIPE DIAMETER (Inside)	In.	2	3	4	5	6
Cross-Sectional Area (inside the pipe)	In. <sup>2</sup>	3.1	7.1	12.6	19.6	28.3
	Ft. <sup>2</sup>	.02	.05	.09	.14	.20
Volume of Concrete per 100ft. section of Pipe	Ft. <sup>3</sup>	2.0	5.0	9.0	14.0	20.0
	Yd. <sup>3</sup>	.07	.19	.33	.52	.74
Weight of Concrete per 10ft. Section of Pipe at 150lbs. per cu.ft.	Lbs.	30	75	135	210	300
Pipe Length Per Yd. <sup>3</sup> of Concrete	Ft.	1,350	540	300	193	135

## CONCRETE PLACING LINE WEIGHTS

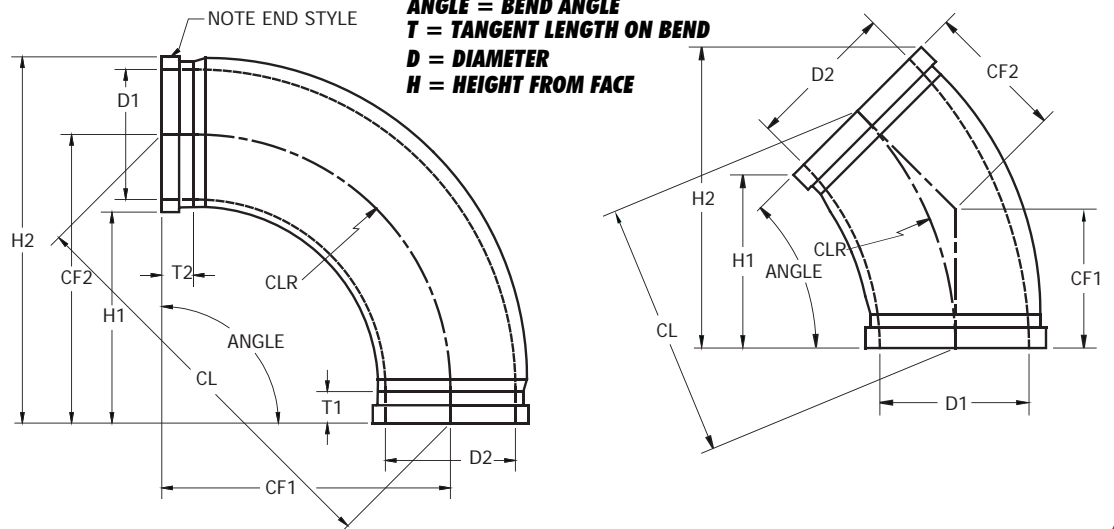
Inside Diameter (in/mm)	Wall Thickness	Line Empty (lbs. / Kg.)	Concrete Only (lbs. / Kg.)	Total per ft. (lbs. / Kg.)	Total Weight per 10 ft. Section (lbs/Kg)
2/50.8	11ga./3mm	2.9 / 1.3	3.3 / 1.5	6.2 / 2.8	62 / 28
3/76.2	11ga./3mm	4.1 / 1.9	7.4 / 3.4	11.5 / 5.2	115 / 52.2
4/102	11ga./3mm	5.5 / 2.5	13.1 / 5.9	18.6 / 8.4	186 / 84.4
5/127	11ga./3mm	6.9 / 3.1	20.5 / 9.3	27.4 / 12.4	274 / 124.3
5/127	9 ga./3.8mm	7.4 / 3.4	20.5 / 9.3	27.9 / 12.6	279 / 126.6
5/127	7 ga./4.6mm	10.4 / 4.7	20.5 / 9.3	30.9 / 14	309 / 140.2
5/127	.250	14.0 / 6.4	20.5 / 9.3	34.5 / 15.6	345 / 156.5
5/127	.500	29.4 / 13.3	20.5 / 9.3	49.9 / 22.6	498 / 226
6/152	11ga./3mm	8.5 / 3.9	29.5 / 13.4	38.0 / 17.2	380 / 172.4
6/152	9 ga./3.8mm	10.0 / 4.5	29.5 / 13.4	39.5 / 17.9	395 / 179
6/152	.250	16.7 / 7.6	29.5 / 13.4	46.2 / 20.9	461 / 209

Note: 11 ga. = .120" / 3.0mm Wall  
 9 ga. = .150" / 3.8mm Wall  
 7 ga. = .180" / 4.6mm Wall

## PIPE WEAR-LIFE COMPARISON CHART



**CF = CENTER TO FACE**  
**CL = CHORD LENGTH**  
**CLR = CENTER LINE RADIUS**  
**ANGLE = BEND ANGLE**  
**T = TANGENT LENGTH ON BEND**  
**D = DIAMETER**  
**H = HEIGHT FROM FACE**





## USA Corporate Headquarters:

### Construction Forms, Inc

777 Maritime Drive  
Port Washington, WI 53074  
Tel: 262-284-7800  
Fax: 262-284-7878  
Tf: 800-223-3676

## Branches:

### Con Forms, Gardena

1600 West 139th Street  
Gardena, CA 90249 USA  
Tel: 800-553-6656  
Fax: 310-323-7313

### Con Forms, Europe - UK

Unit B1 (b) Avondale Business Park  
Avondale Way  
Cwmbran  
South Wales NP44 1XE  
UNITED KINGDOM  
Tel: +44 (0)1633-876445  
Fax: +44 (0)1633-549693

### Con Forms, Orlando Sales

Orlando, FL - USA  
Tel: 407-327-4544  
Fax: 407-327-3541

### Con Forms, Asia - Malaysia

No 6, Jalan Belati 1  
Taman Perindustrian Maju Jaya  
81300 Skudai, Johor Bahru  
MALAYSIA  
Tel: + 607-559-1868  
Fax: + 607-557-3868



[www.conforms.com](http://www.conforms.com)

© 2012 Construction Forms, Inc. All Rights Reserved.  
The information, drawings, photographs or other materials presented in this catalog are the sole property of Construction Forms, Inc. The adaptation, reproduction or other use of these materials, without prior written consent from Construction Forms, Inc., is expressly prohibited. Specifications subject to change without notice.

2011REV.012