

HEIDEN
INC

Crane Attachments

Log and Pulp Grapples

20 Series Butt

Style (B)



- **Head Design Good For "Bucking" Logs**
- **High Tensile Steel Throughout**
- **Jaws Are Replaceable And Exchangeable**
- **Heavy Duty 1 1/4" Cylinder Pins**
- **Custom Sizes Available**
- **Made in the USA**

Heiden Inc. 4624 Expo Drive Manitowoc, WI 54220

Phone: 888-682-5779

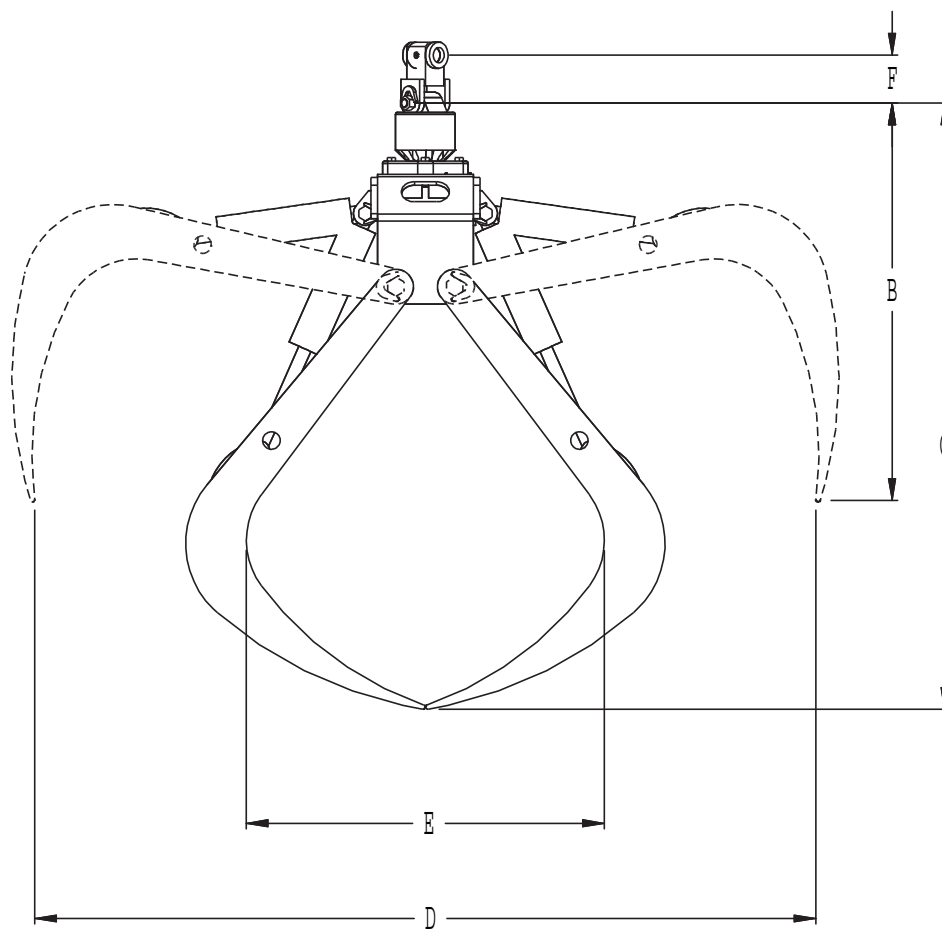
Fax: 920-682-3174

www.heidenco.com

20 Series Butt Style (B)

Part #	A	B	C	D	E	(Lbs)	Capacity
--------	---	---	---	---	---	-------	----------

HC20-B	21.5"	46"	70"	90"	40"	810	1/2 cord
HC20-B-2.5	21.5"	40"	62"	79"	32"	800	2/5 cord
HC20-B-3	21.5"	40"	58"	70"	32"	695	1/3 cord
HC20-B-4	21.5"	38"	53"	62"	28"	655	1/4 cord



Heiden Inc. 4624 Expo Drive Manitowoc, WI 54220

Phone: 888-682-5779

Fax: 920-682-3174

www.heidenco.com