



CRANE ATTACHMENTS

BLT GRAPPLE SERIES



PROUDLY MADE
IN THE U.S.A.

FEATURES | BLT SERIES

- Fully plated jaws
- AR 400 Wearform cutting edge
- Single side bump plates standard
- Tine stiffeners
- HD rotation standard
- Choice of cylinders - 3" bore/ 2" rod standard

920.682.6111

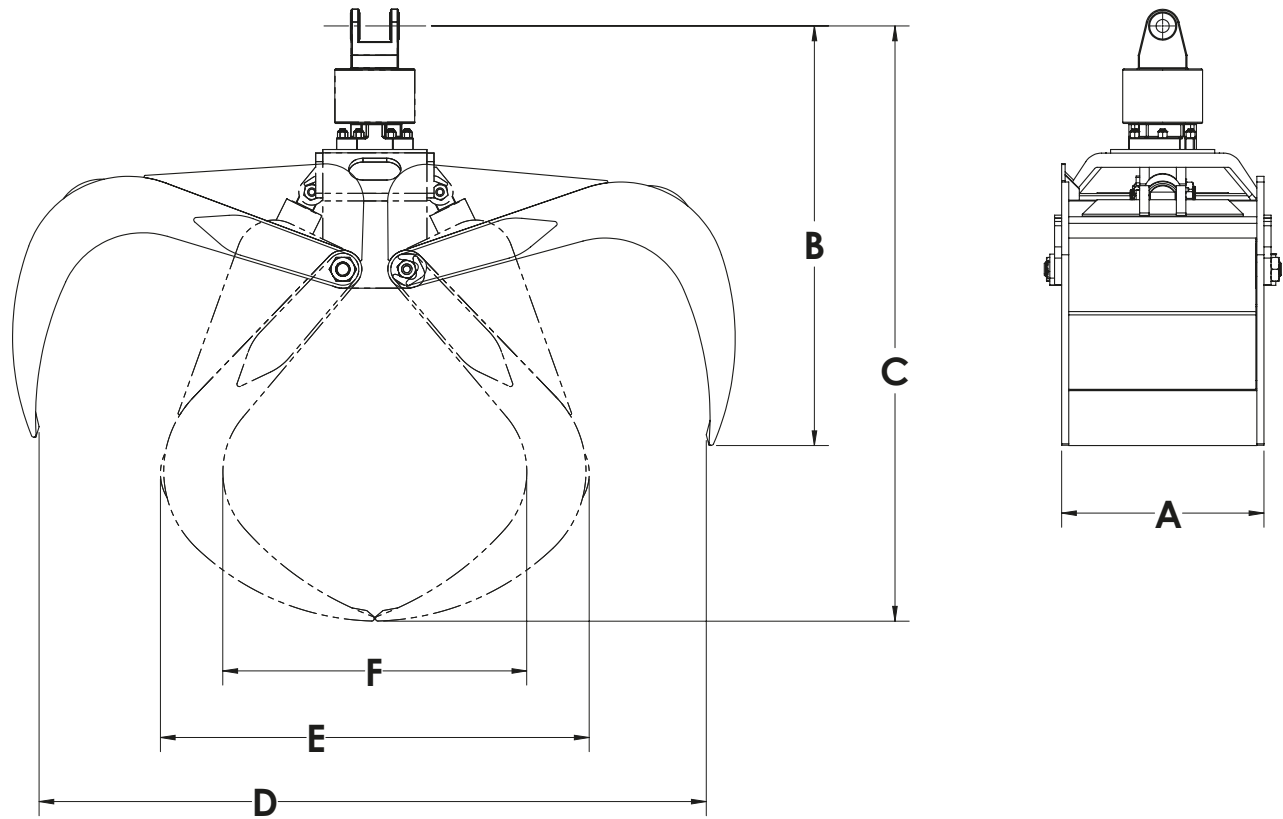
HEIDENCRANE.COM





BLT SERIES GRAPPLES

HC20-BL T-2.5 / HC20-BLT-3



Specifications	HC20-BLT-2.5	HC20-BLT-3
A	21 1/2"	21 1/2"
B	46"	45"
C	67"	63"
D	79"	70"
E	49"	46"
F	34"	32"

*Heiden Inc., reserves the right to change these specifications without notice and without incurring any obligation relating to such changes.

OUR RELIABILITY, DELIVERY, AND INTERCHANGEABLE CUSTOM DESIGNS WILL IMPROVE YOUR BOTTOM LINE.



Interchangeable Components



Exceptional Durability



Fast Turnaround



Made in USA

4624 Expo Dr. Manitowoc, WI 54220
 Toll Free: 888.682.5779 Phone: 920.682.6111
 Fax: 920.682.3174
 Email: heiden@heidenco.com

HEIDENCRANE.COM



HEIDEN, INC IS AN ISO 9001-2015 CERTIFIED COMPANY



PROUDLY MADE IN THE U.S.A.