



CRANE ATTACHMENTS

LOG AND PULP GRAPPLES

20-B SERIES

BUTT STYLE (B)



PROUDLY MADE
IN THE U.S.A.

FEATURES 20-B SERIES

- Head design good for "bucking" logs
- High tensile steel throughout
- Jaws are replaceable and exchangeable to other sizes/models
- Heavy duty 1 1/4" cylinder pins
- Openings from 62"- 93"
- Custom sizes available

920.682.6111

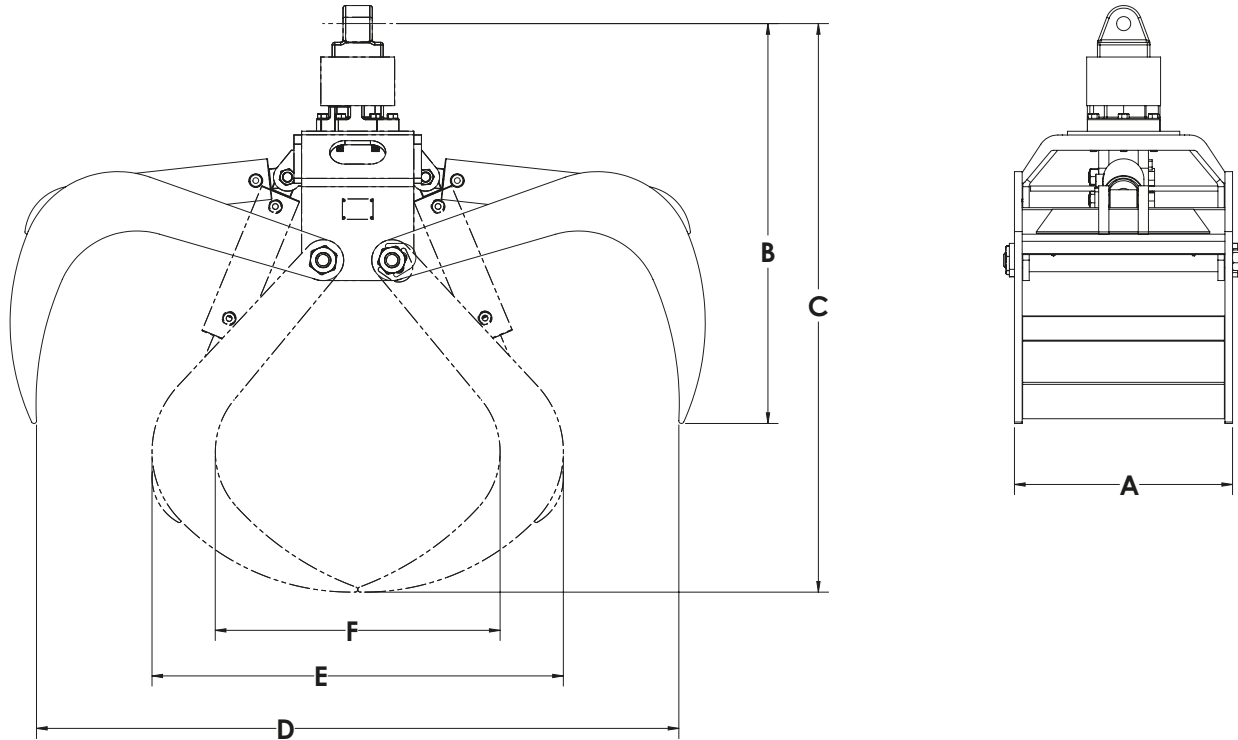
HEIDENCRANE.COM





20 SERIES LOG AND PULP GRAPPLES

HC20-B-2 / HC20-B-2.5 / HC20-B-35 / HC20-B-4



Specifications	HC20-B-2	HC20-B-2.5	HC20-B-3	HC20-B-4
A	21.5"	21.5"	21.5"	21.5"
B	48"	44"	42"	39"
C	74"	64"	60"	56"
D	92"	78"	70"	62"
E	55"	49"	45"	41"
F	41"	34"	32"	28"
Weight (Without Rotator)	810 lb	800 lb	720 lb	700 lb
Weight (With Rotator)	920 lb	875 lb	790 lb	770 lb
Capacity	1/2 cord	2/5 cord	1/3 cord	1/4 cord

*Heiden Inc., reserves the right to change these specifications without notice and without incurring any obligation relating to such changes.

OUR RELIABILITY, DELIVERY, AND INTERCHANGEABLE CUSTOM DESIGNS WILL IMPROVE YOUR BOTTOM LINE.



Interchangeable Components



Exceptional Durability



Fast Turnaround



Made in USA

4624 Expo Dr. Manitowoc, WI 54220
Toll Free: 888.682.5779 Phone: 920.682.6111
Fax: 920.682.3174
Email: heiden@heidenco.com

HEIDENCRANE.COM



HEIDEN, INC IS AN ISO 9001-2015 CERTIFIED COMPANY



PROUDLY MADE IN THE U.S.A.