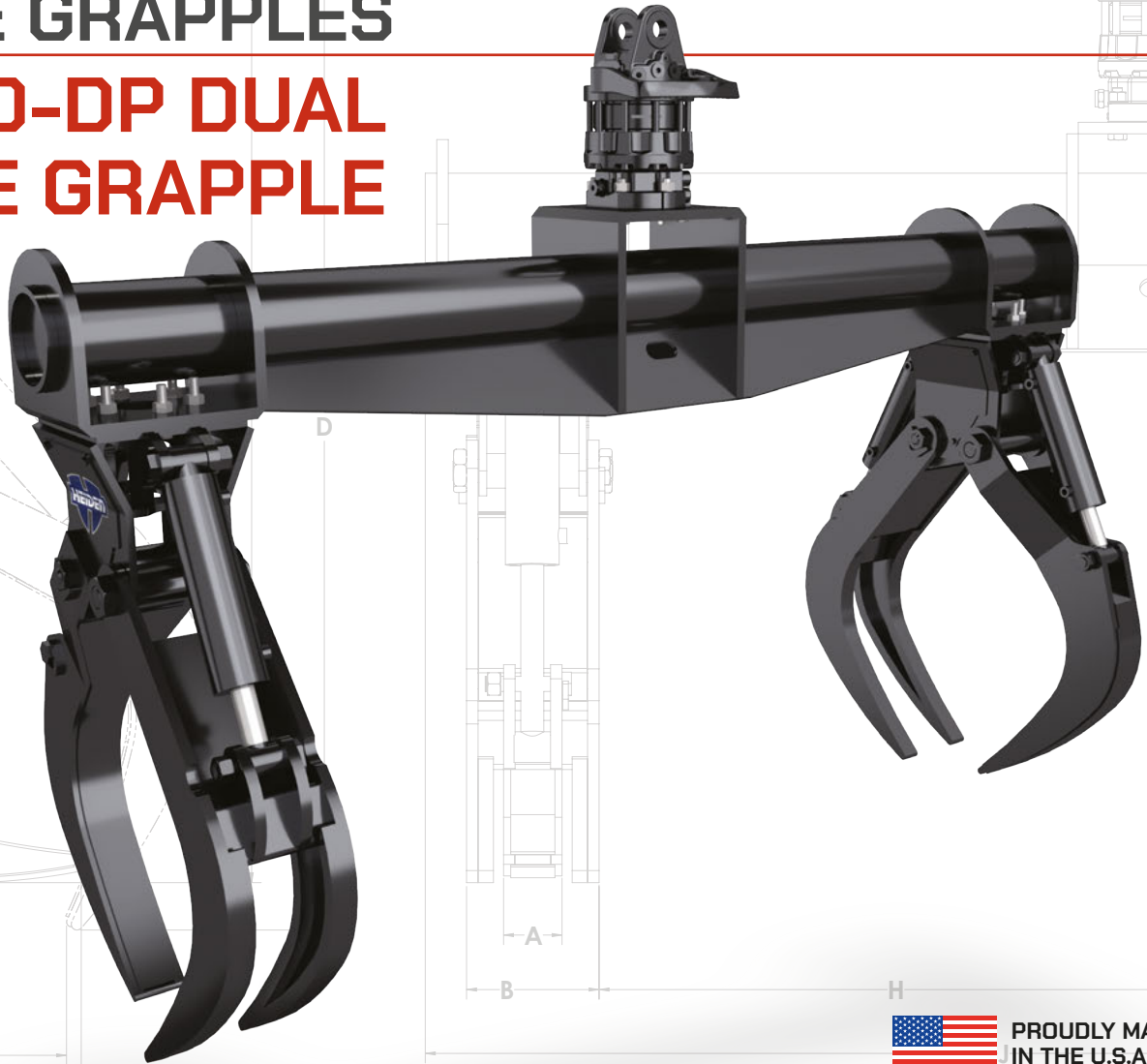




CRANE ATTACHMENTS

COMPACT PIPE AND POLE GRAPPLES

HC60-DP DUAL POLE GRAPPLE



PROUDLY MADE
IN THE U.S.A.

FEATURES

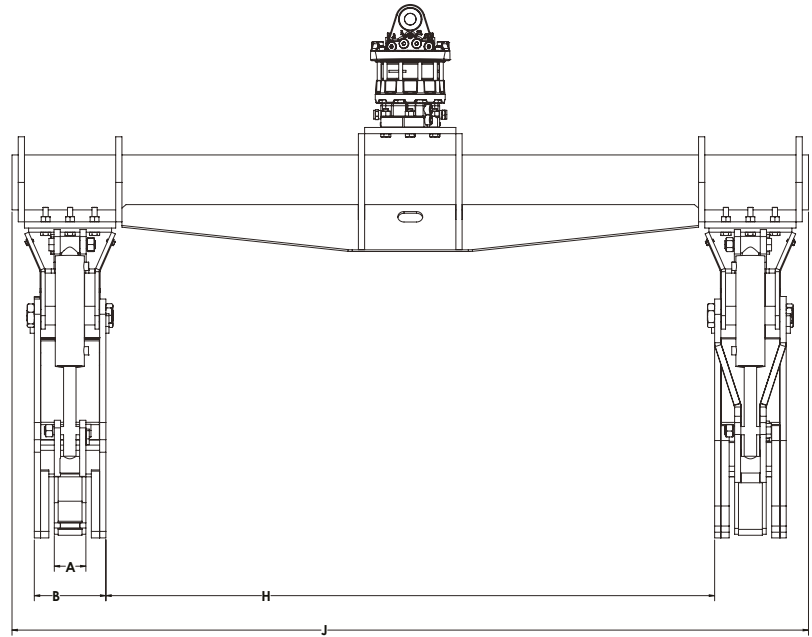
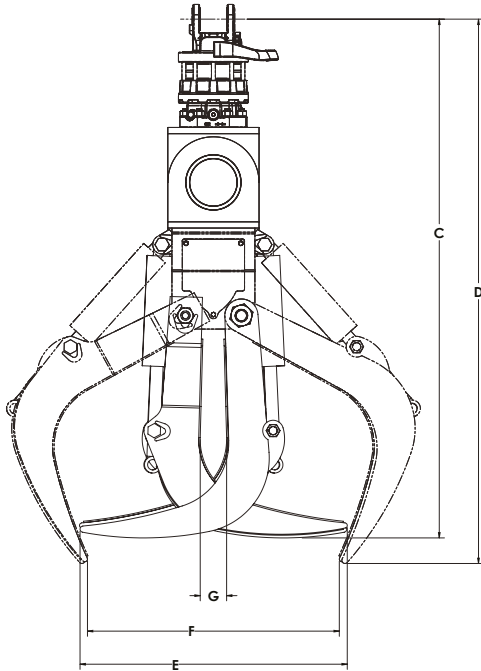
HC60-DP DUAL POLE GRAPPLE

- Greater control of longer pipes and poles
- Pole grapples feature fully wrapped tines to protect pole finish
- Proven grapple design
- Improved operator and field safety



60 SERIES COMPACT PIPE AND POLE GRAPPLES

HC60-DP



Specifications	HC60-DP
A	4"
B	8.63"
C	62.50"
D	65.63"
E	32"
F	31"
G	3.50"
H	73.88"
J	96"
Weight (Without Rotator)	1,350 lb
Weight (With Rotator)	1,480 lb
Capacity	16"-24" dia

*Heiden Inc., reserves the right to change these specifications without notice and without incurring any obligation relating to such changes.

OUR RELIABILITY, DELIVERY, AND INTERCHANGEABLE CUSTOM DESIGNS WILL IMPROVE YOUR BOTTOM LINE.



Interchangeable Components



Exceptional Durability



Fast Turnaround



Made in USA

4624 Expo Dr., Manitowoc, WI 54220
Toll Free: 888.682.5779 Phone: 920.682.6111
Fax: 920.682.3174
Email: heiden@heidenco.com

HEIDENCRANE.COM



HEIDEN, INC IS AN ISO 9001-2015 CERTIFIED COMPANY



PROUDLY MADE IN THE U.S.A.