



CRANE ATTACHMENTS

COMPACT PIPE AND POLE GRAPPLES

60 SERIES

BYPASS [A]
POLE [P]



PROUDLY MADE
IN THE U.S.A.

FEATURES 60 SERIES

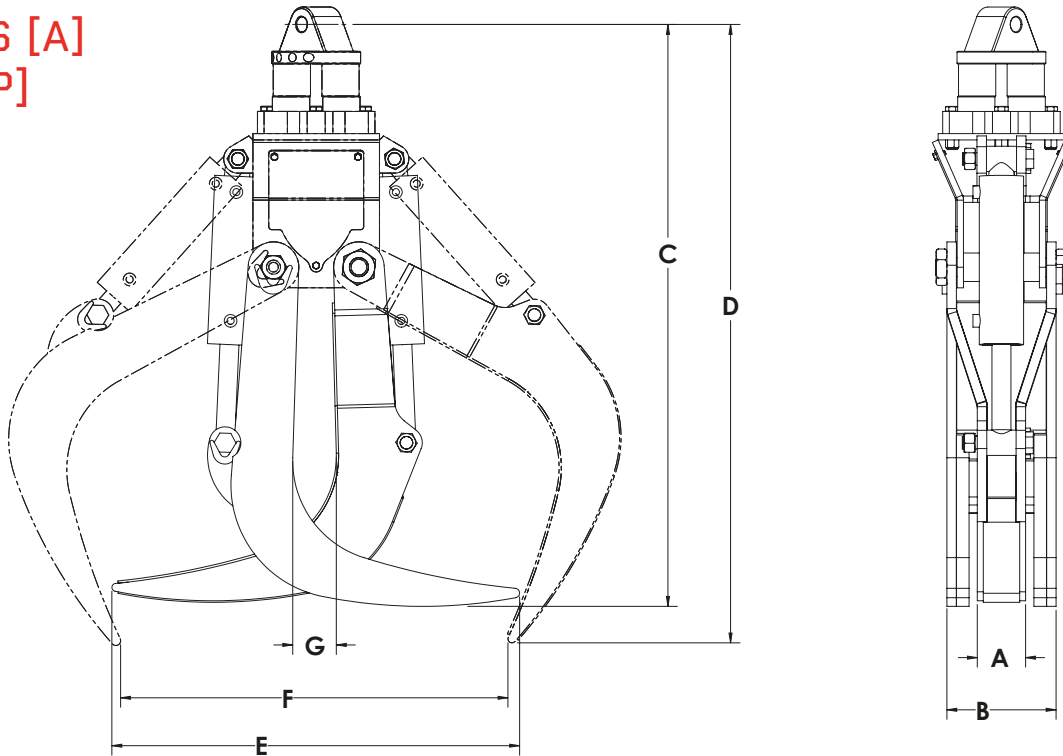
- Compact, easy to store, lightweight and durable
- Pole grapples feature fully wrapped tines to protect pole finish
- Also available in non-rotating models
- "Time Tested" design



60 SERIES COMPACT PIPE AND POLE GRAPPLES

HC60-A-6 / HC60-A-3 / HC60-P-9 / HC60-P-8

**BYPASS [A]
POLE [P]**



Specifications	HC60-A-6	HC60-A-3	HC60-P-9	HC60-P-8
A	6"	6"	4"	4"
B	13"	13"	8.63"	8.63"
C	48"	51"	38"	46"
D	45"	48"	36"	41"
E	32"	36"	26"	32"
F	48"	60"	26"	31"
G	4"	4"	3.50"	3.50"
Weight (Without Rotator)	390 lb	440 lb	290 lb	420 lb
Capacity	1/6 cord	1/3 cord	10"-16" dia.	16"-24" dia.

*Heiden Inc., reserves the right to change these specifications without notice and without incurring any obligation relating to such changes.

OUR RELIABILITY, DELIVERY, AND INTERCHANGEABLE CUSTOM DESIGNS WILL IMPROVE YOUR BOTTOM LINE.



Interchangeable
Components



Exceptional
Durability



Fast
Turnaround



Made in
USA

4624 Expo Dr. Manitowoc, WI 54220
Toll Free: 888.682.5779 Phone: 920.682.6111
Fax: 920.682.3174
Email: heiden@heidenco.com

HEIDENCRANE.COM



HEIDEN, INC IS AN ISO 9001-2015 CERTIFIED COMPANY



PROUDLY MADE IN THE U.S.A.