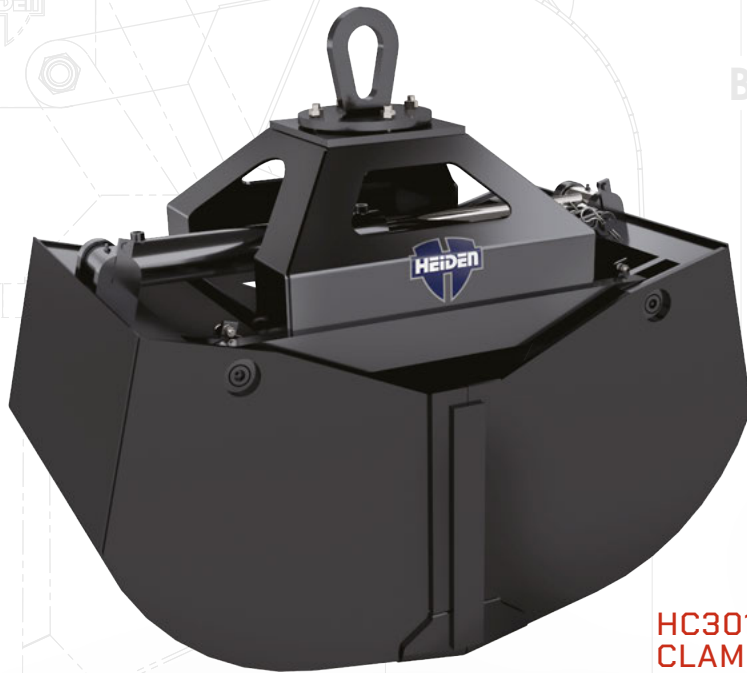




CRANE ATTACHMENTS

CLAM BUCKET SERIES



HC20-S-4
SUPER CLAM
BUCKET



HC30123R
CLAM BUCKET



PROUDLY MADE
IN THE U.S.A.

FEATURES CLAM BUCKET SERIES

Clam Buckets

- Designed for railroad ballast
- Can be fitted with teeth for handling ties
- Widths to 66" available
- Large 75" opening
- Continuous rotation standard

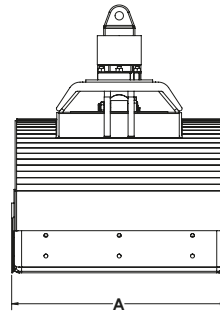
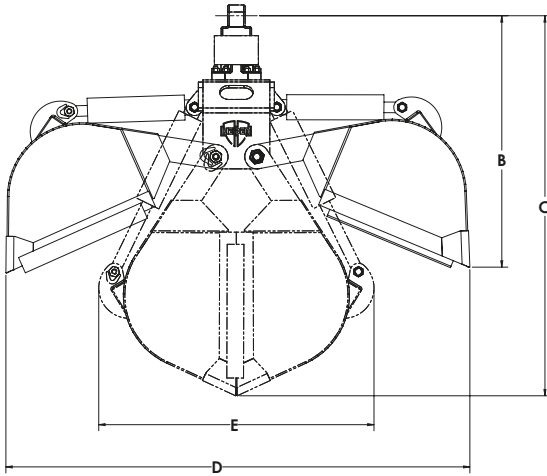
Super Clam Buckets

- Ideal for roofing, wood chips, coal, and other materials
- Fast, effortless loading
- Check valve standard
- Optional continuous rotation



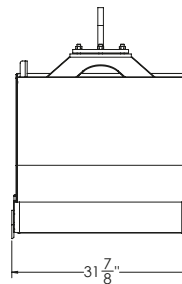
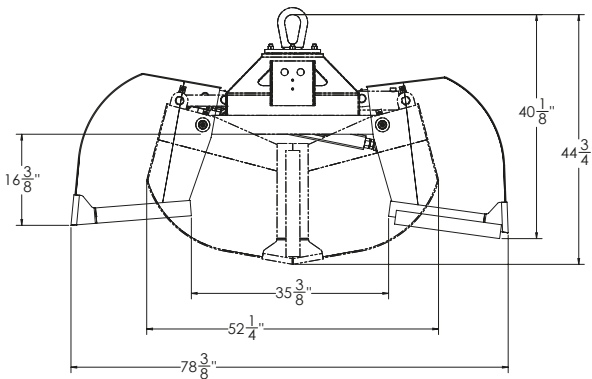
CLAM BUCKET SERIES

HC20-S-3 / HHC20-S-4 / HC20-S-5 / HC20-S-6 / HC20-S-8
HC30112 / HC30123 / HC30133



SUPER CLAM BUCKETS

Specifications	HC20-S-3	HC20-S-4	HC20-S-5	HC20-S-6	HC20-S-8
A	29"	35"	43"	51"	67"
B	42"	42"	45"	45"	45"
C	63"	63"	66"	66"	66"
D	75"	75"	75"	75"	75"
E	46"	46"	46"	46"	46"
Weight	975 lb	1,020 lb	1,100 lb	1,350 lb	1,600 lb
Capacity	1/3 yard	1/2 yard	5/8 yard	3/4 yard	1 yard



CLAM BUCKETS

Specifications	HC30112	HC30123	HC30133
Digging Width	24"	32"	48"
Height Closed	44"	44"	44"
Bite Opening	78 1/4"	78 1/4"	78 1/4"
Weight	615 lb	680 lb	940 lb
Capacity	1/2 cu. yd.	2/3 cu. yd.	1 cu. yd.

*Heiden Inc., reserves the right to change these specifications without notice and without incurring any obligation relating to such changes.

OUR RELIABILITY, DELIVERY, AND INTERCHANGEABLE CUSTOM DESIGNS WILL IMPROVE YOUR BOTTOM LINE.



Interchangeable Components



Exceptional Durability



Fast Turnaround



Made in USA

4624 Expo Dr. Manitowoc, WI 54220

Toll Free: 888.682.5779 Phone: 920.682.6111

Fax: 920.682.3174

Email: heiden@heidenco.com

HEIDENCRANE.COM



HEIDEN, INC IS AN ISO 9001-2015 CERTIFIED COMPANY



PROUDLY MADE IN THE U.S.A.