



CRANE ATTACHMENTS

PALLET FORKS

MANUAL AND
SELF LEVELING



PROUDLY MADE
IN THE U.S.A.

FEATURES PALLET FORKS

HC10096-M54 Manual Fork

- 6,000 lb capacity
- 46" long tines (24" CG)
- Manual level adjustment
- Weight: 405 lb

HC10097-54 Self Leveling Fork

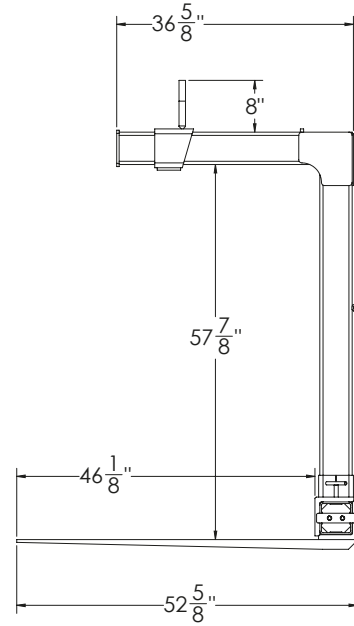
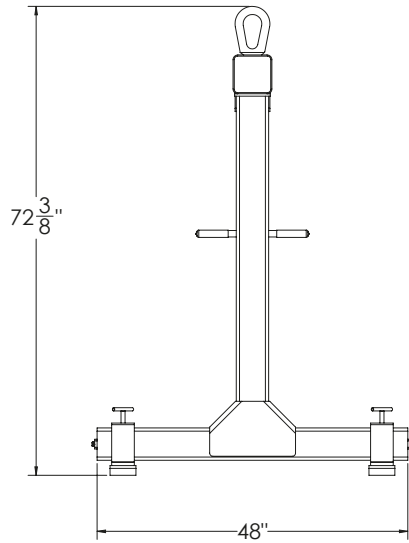
- 6,000 lb capacity
- 46" long tines (24" CG)
- Self levels at any weight
- Gas springs virtually maintenance free
- Weight: 420 lb



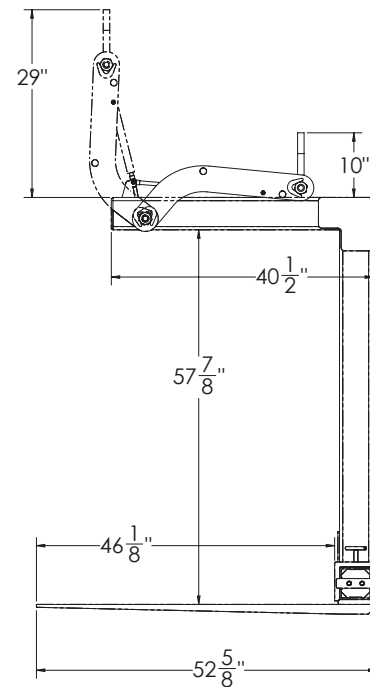
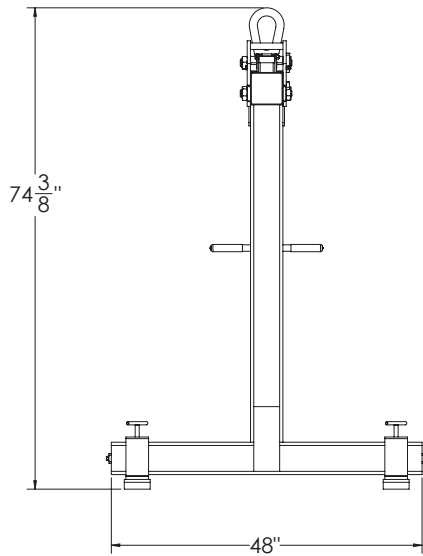
PALLET FORKS

HC10096-M54 / HC10097-54

HC10096-M54
MANUAL FORK



HC10097-54
SELF LEVELING FORK



*Heiden Inc., reserves the right to change these specifications without notice and without incurring any obligation relating to such changes.

OUR RELIABILITY, DELIVERY, AND INTERCHANGEABLE CUSTOM DESIGNS WILL IMPROVE YOUR BOTTOM LINE.



Interchangeable
Components



Exceptional
Durability



Fast
Turnaround



Made in
USA

4624 Expo Dr. Manitowoc, WI 54220
 Toll Free: 888.682.5779 Phone: 920.682.6111
 Fax: 920.682.3174
 Email: heiden@heidenco.com

HEIDENCRANE.COM



HEIDEN, INC IS AN ISO 9001-2015 CERTIFIED COMPANY



PROUDLY MADE IN THE U.S.A.