



Powerful Synergies



# COPMA

130A

**HIGH POWER  
MODEL**



# COPMA 130A

Performance & Power

**130A HAS THE HIGHEST LIFTING RANGE AND TOP POWER-WEIGHT RATIO COMBINING ADVANCED TECHNOLOGY FEATURES FOR MORE PERFORMANCE.**

- **HIGH POWER model, load category - 13 Ton/Mt**
- **Essential in design, powerful in performance**
- **Robust arm system**
- **Simple and reliable**
- **Excellent operational safety**





**THE MOST  
POWERFUL  
CRANE FOR  
THE TOUGHEST  
MARKETS**



# COPMA 130A

More Safety & Security

**DESIGNED WITH THE HIGHEST  
HYDRAULIC SYSTEMS AND THE  
TOUGHEST STRUCTURAL STEEL  
TO PERFORM THE MAXIMUM  
LIFTING CAPACITY.**

- **Optimized and reliable hydraulic technology**
- **Column with high mechanical characteristics**
- **High Degree of User Friendliness**
- **Efficiency and Reliability thanks to essential design**
- **Excellent weight/performance ratio**





**DESIGNED  
FOR FLEXIBLE  
SERVICES**



# COPMA 130A

## Technical Features

**CUTTING EDGE FEATURES  
FOR MAXIMUM LIFTING  
POWER, STABILITY AND  
OPERATIONAL SAFETY IN EVERY  
WORKING CONDITION.**

### Standard features

▪ control



▪ structure



### optional features

▪ easy use



▪ control



\*E.C. market specific equipment



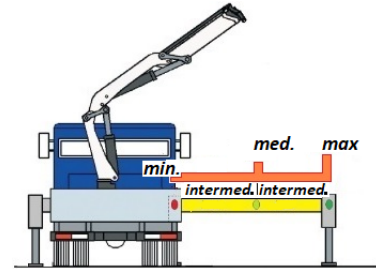
**TAD**  
control  
**Transport Alert Device**

Sensors on the basement control the correct closing of the beams and a column switch sensor indicates if the crane is in a folded position, no more than 4 Mt in height. The operator is warned with light and sound signals in the truck cabin.



**TES 2.0**  
control  
**Truck Electronic Stability 2.0**

Active stability control for performance optimization according to the type of stabilization (2) to guarantee maximum safety in all working conditions. Mandatory in the CE market, it helps a better vehicle-crane configuration.



**CMS 1.0**  
control  
**Crane Monitoring System 1.0**

Crane stability control system TES1-TES2, with safety control and overload control for medium-small cranes. Controls the crane in 4 work areas, and each zone can have custom lifting settings depending on the vehicle stability.



**CMS 2.0**  
control  
**Crane Monitoring System 2.0**

Crane stability control system TES2-TES3 with safety and overload controls and HPVE lifting speed management. Active control on 4-8 working areas according to the model and vehicle stability requirements.



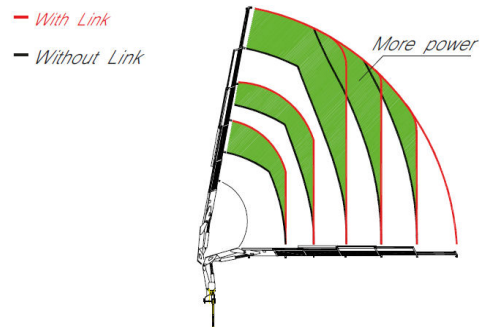
**RRP**  
structure  
**Rotation Rack Pinion**

Radio remote control with the electro-hydraulic actuator connected directly to the standard control valve. The remote control allows operating the crane while continually monitoring the areas of operation.



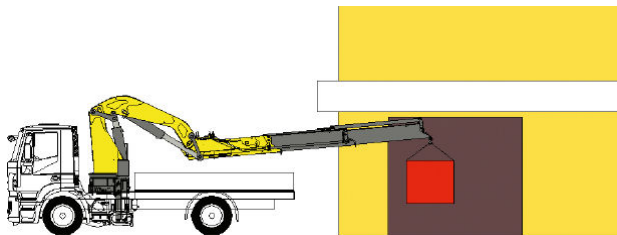
**CCLS**  
structure  
**Constant Control Link**

The cranes equipped with connecting rods on the articulations, with a constant lifting moment over the entire working arc, allow to 100% optimize the crane's capacity in positions close to the maximum vertical.



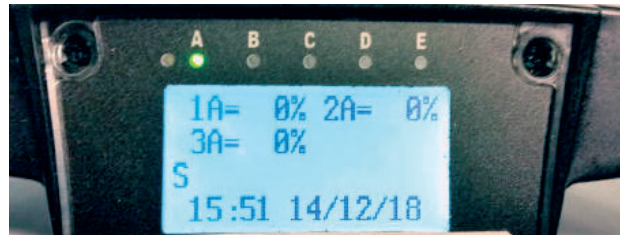
**NBS**  
structure  
**Negative Boom System**

The linkage on the articulation of the secondary boom permits the introduction of loads within restricted spaces. It enables the recovery of the deflection of the extension boom group due to the weight and the load raised on the extensions.



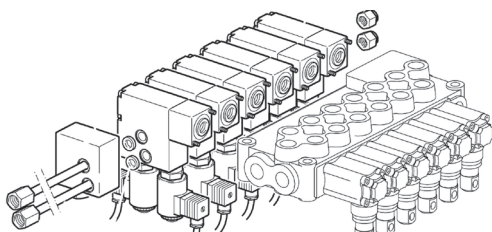
**ERD**  
easy use  
**Electronic Radio Display**

A display on the remote control allows the operator to maintain the total control of all the crane functions in real time by managing the work mode, the stability control, and oversee any maintenance and diagnostic messages.



**RRC 2.0**  
control  
**Radio Remote Control 2.0**

The rotation system with rack and pinion is the best optimal solution for the most performative lifting capacity, it reduce the weights and crane dimension for the most compact configuration.



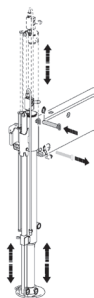
**RRC 3.0**  
control  
**Radio Remote Control 3.0**

Radio control with directly flanged actuation electronics with proportional distribution. The remote control allows operating the crane while constantly monitoring the areas of operation.



**HLS 1.0**  
easy use  
**Hydraulic Lifting Stabilizers 1.0**

Radio control with directly flanged actuation electronics with proportional distribution. This system assists the operator with the possibility of using the radio control for stabilizing the crane and save operative time in increasing the security of the setup.

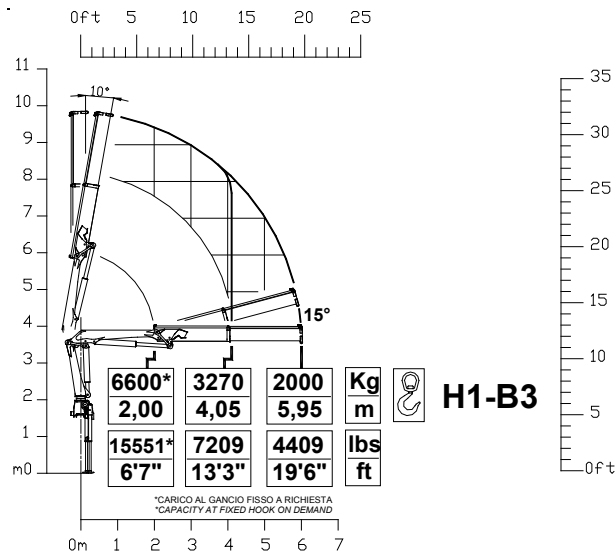




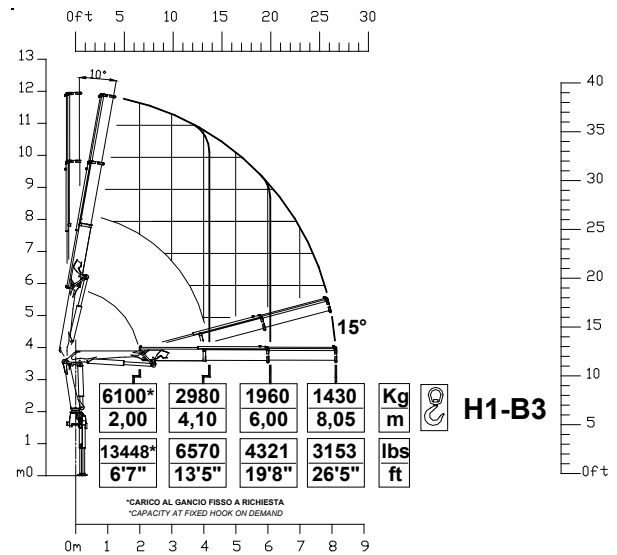
# 130A HIGH POWER

## Load Charts

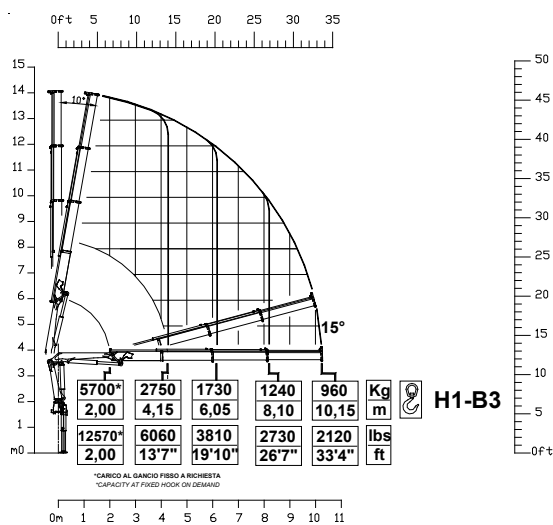
### 1 extensions



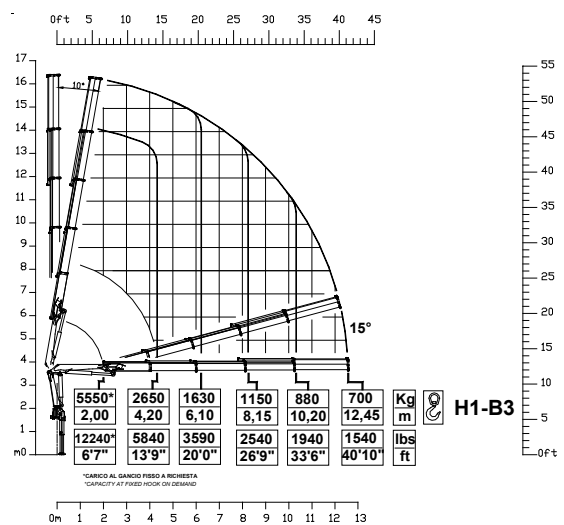
### 2 extensions



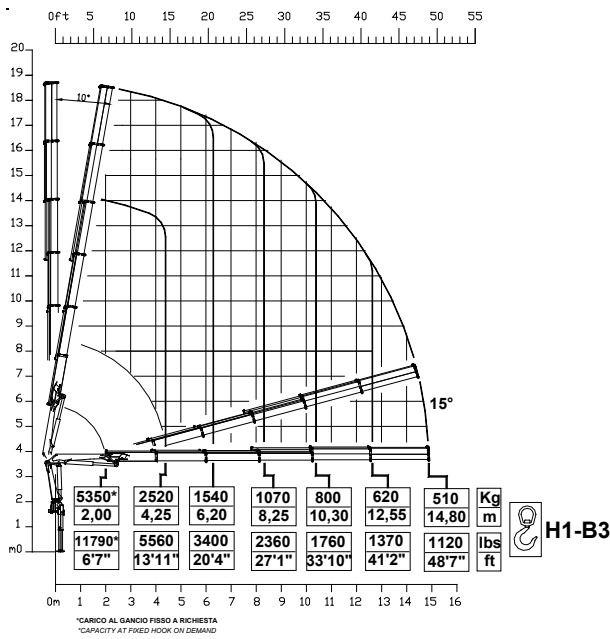
### 3 extensions



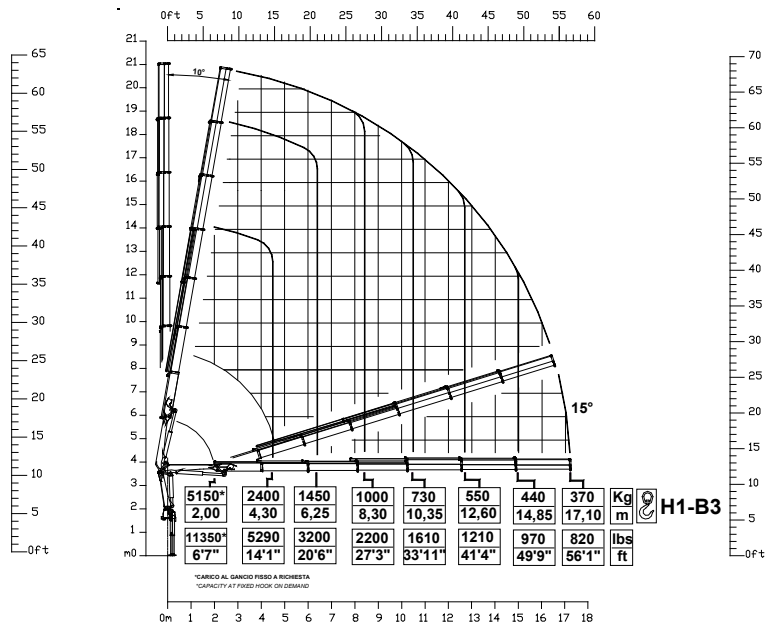
### 4 extensions



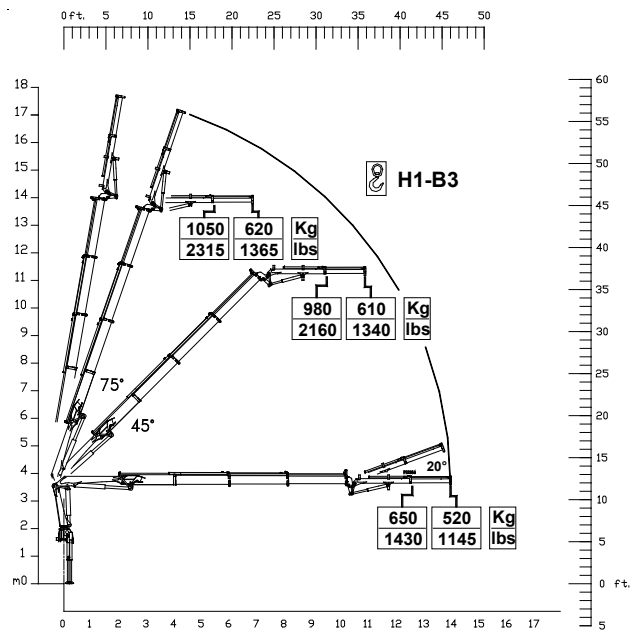
### 5 extensions



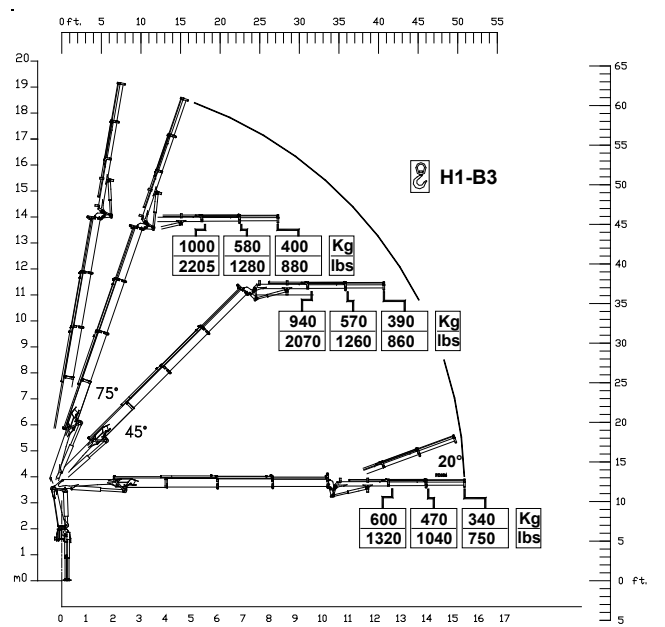
### 6 extensions



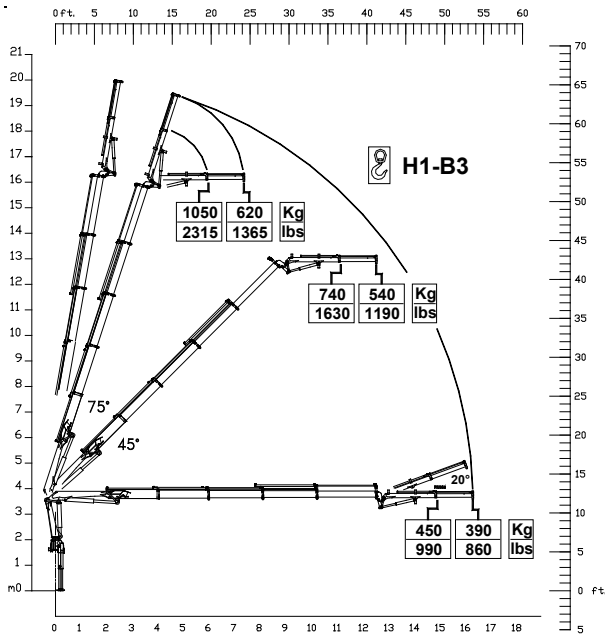
### 130A.3 + J1



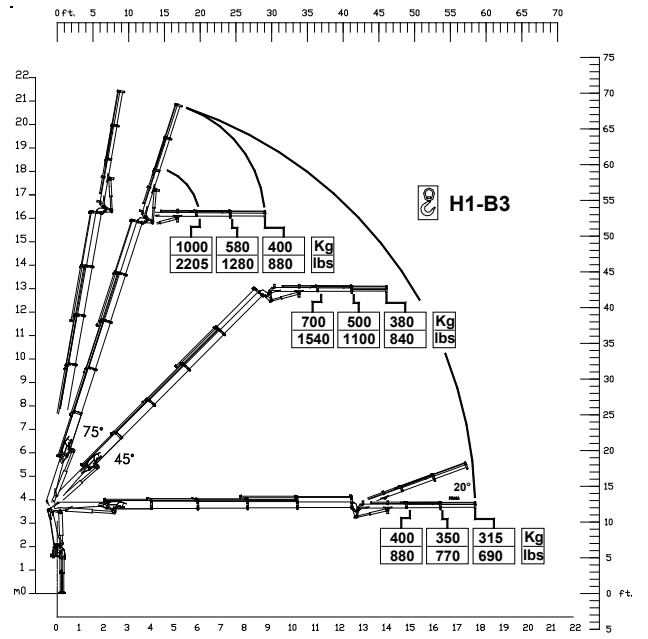
### 130A.3 + J2



130A.4 + J1



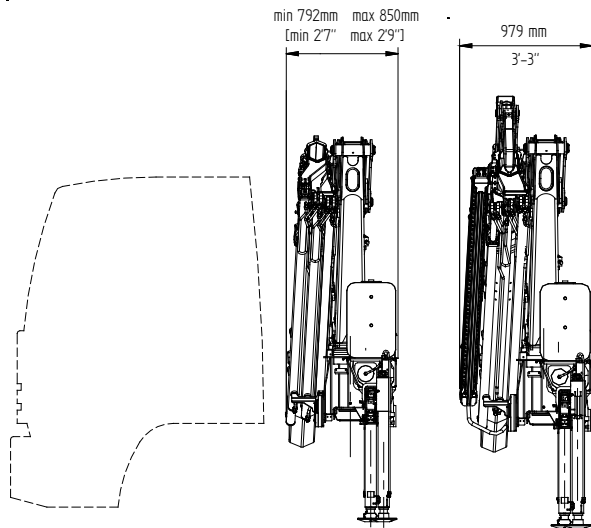
130A.4 + J2



# 130A HIGH POWER

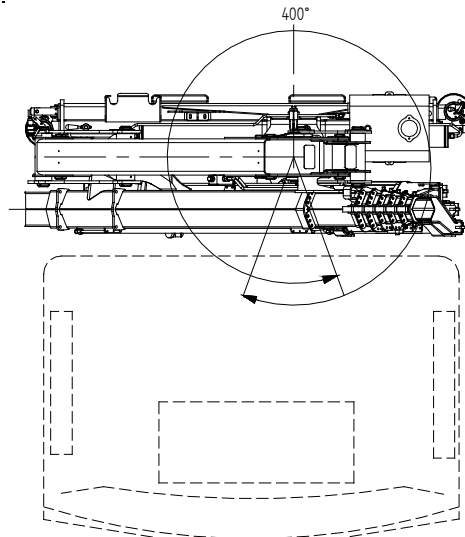
## Crane Dimensions

back cabin left

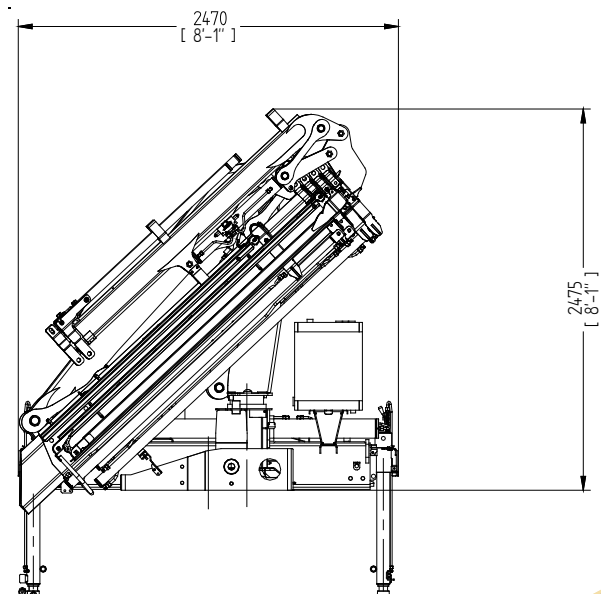
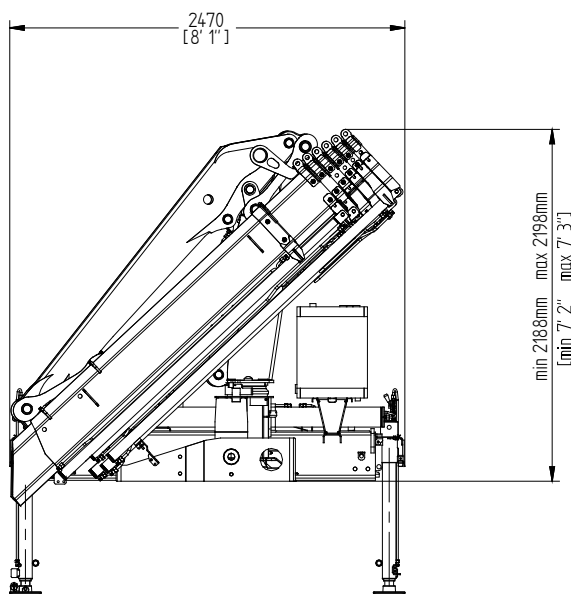


with TRACK CHAIN

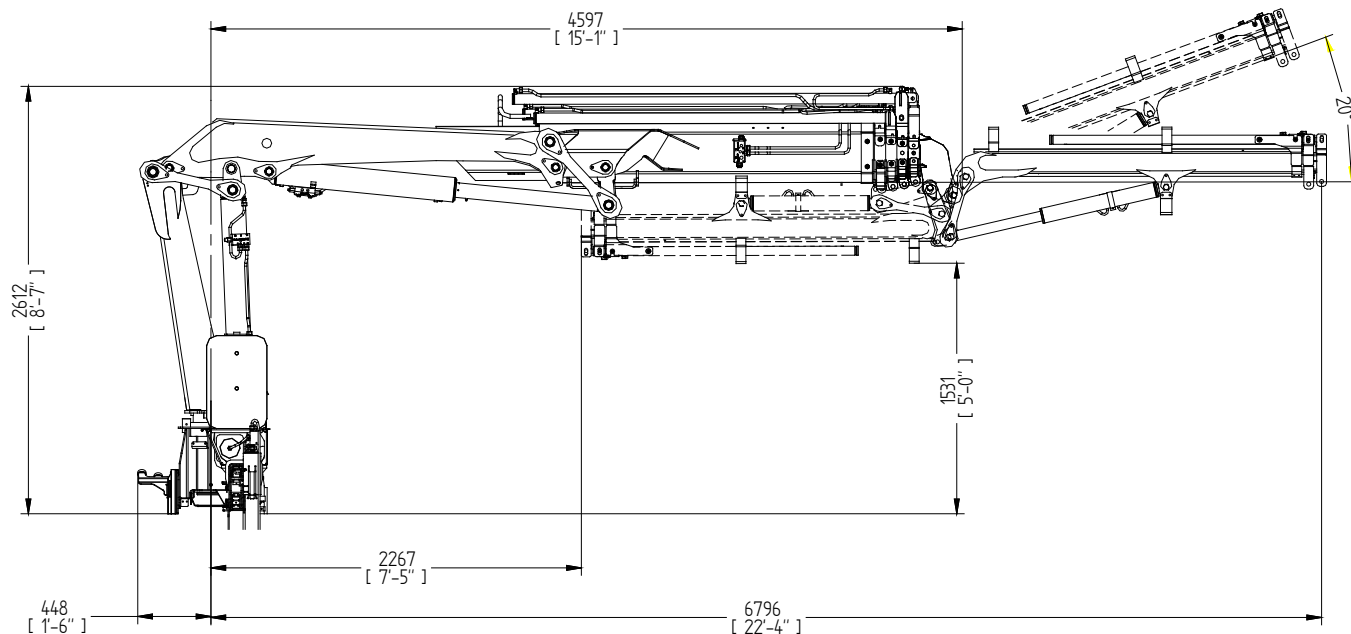
top cabin



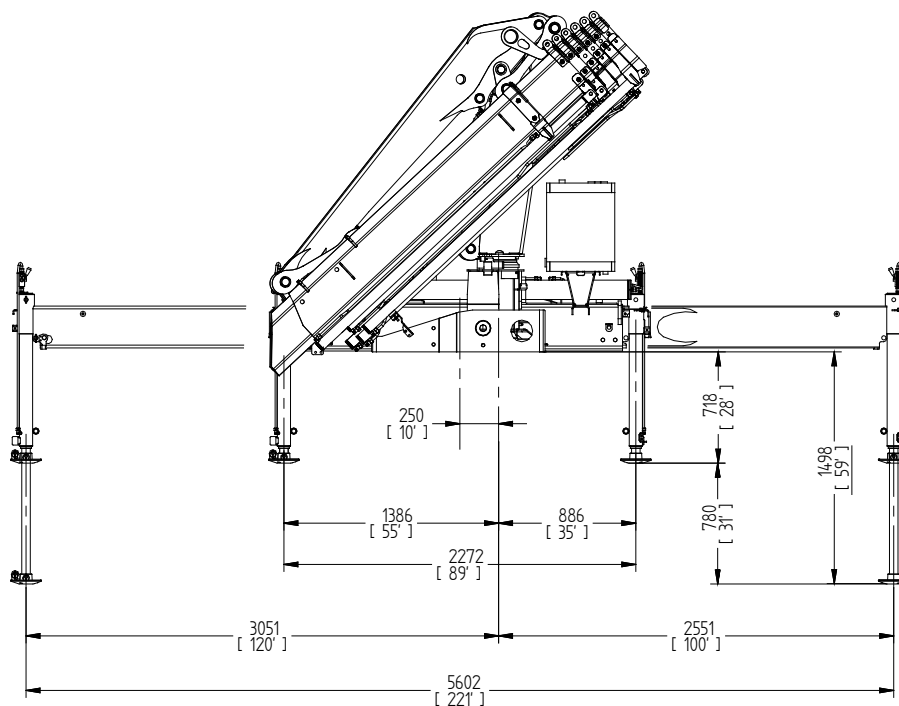
rear truck



**operational**



**extended outriggers**












\* Note:  
 Technical features are not binding.  
 The company reserves itself the right to any modification without notice












# 130A HIGH POWER

## Technical Data

### summarized data

	 kN.m	 bar	 l/min	 kg	 °	 mm	 mm	 mm	 mm
130A.1	130	280	40	1520	400	2472	792	2185	4600/5600
130A.2	120	280	40	1630	400	2472	792	2185	4600/5600
130A.3	112	305	40	1730	400	2468	850	2185	4600/5600
130A.3J1	112	305	40	1950	400	2470	979	2475	4600/5600
130A.3J2	112	305	40	1990	400	2470	979	2475	4600/5600
130A.4	109	305	40	1830	400	2468	850	2185	4600/5600
130A.4J1	109	305	40	2070	400	2470	979	2475	4600/5600
130A.4J2	109	305	40	2105	400	2470	979	2475	4600/5600
130A.5	105	305	40	1920	400	2468	850	2185	4600/5600
130A.6	101	305	40	2000	400	2468	850	2185	4600/5600

	 lbs.ft	 psi	 gal/min	 lbs	 °	 ft/inc	 ft/inc	 ft/inc	 ft/inc
130A.1	94030	4060	10.5	3350	400	8'1"	2'7"	7'2"	15' 1"/18'4"
130A.2	88507	4060	10.5	3590	400	8'1"	2'7"	7'2"	15' 1"/18'4"
130A.3	81009	4423	10.5	3810	400	8'1"	2'9"	3'3"	15' 1"/18'4"
130A.3J1	81009	4423	10.5	4300	400	7'12"	3'3"	8'1"	15'1"/18'4"
130A.3J2	81009	4423	10.5	4390	400	7'12"	3'3"	8'1"	15'1"/18'4"
130A.4	80394	4423	10.5	4030	400	7'12"	2'9"	7'2"	15' 1"/18'4"
130A.4J1	80394	4423	10.5	4340	400	7'12"	3'3"	8'1"	15'1"/18'4"
130A.4J2	80394	4423	10.5	4430	400	7'12"	3'3"	8'1"	15'1"/18'4"
130A.5	77444	4423	10.5	4230	400	7'12"	2'9"	7'2"	15' 1"/18'4"
130A.6	73219	4423	10.5	4410	400	7'12"	2'9"	7'2"	15' 1"/18'4"

### technical data

Max. lifting moment	130 kNm	95883 ft.lbs
Max. hydraulic outreach	17.1 m	56'1"
Slewing angle	400°	400°
Slewing torque	1650 daNm	12150 ft.lbs
Stabilizer spread	4.6/5.6 mt	15'1"/18'4"
Fitting space required (min./max)	0.79/0.97 m	2'7"/3'3"
Width folded	2.47 m	7'12"
Max. operating pressure	280 bar	4060 psi
Recommended pump capacity	40 l/min	10.5 US gal./min
Dead weight (vers .1)	1520 kg	3350 lbs

\* Note:  
 Technical features are not binding.  
 The company reserves itself the right to any modification without notice





**GET READY TO A  
BETTER LIFTING  
EXPERIENCE**



# COPMA 130A



knuckle  
boom  
cranes



Powerful Synergies



**CPS**



**CPS  
STEEL**

## CPS GROUP S.P.A.

281 Via Emilia , Castel Bolognese (RA) , 48018  
Italy

T +39 0546 653 711

[sales.cpsgroup@cps-group.com](mailto:sales.cpsgroup@cps-group.com)

[service.cpsgroup@cps-group.com](mailto:service.cpsgroup@cps-group.com)

[cps-group.com](http://cps-group.com)



COPMA MODEL 130A HIGH POWER 6-2019 all rights reserved CPS GROUP

UNICERT  
ISO 9001:2008

