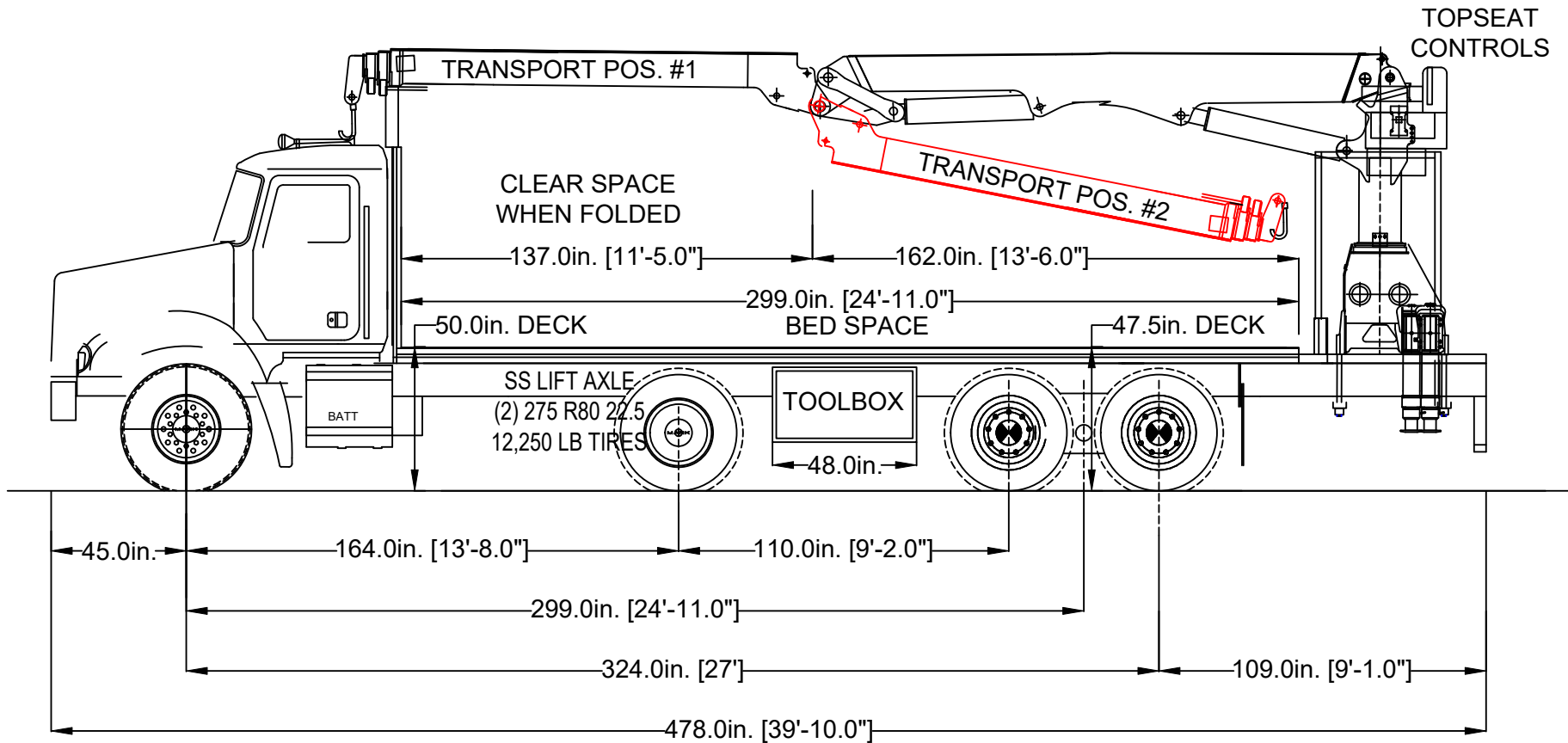


**KW T800SH  
6x4**

**24'-11"  
BED (steel deck)**

**PALFINGER PW400  
2,000 LBS @ 60'-0"**



DRAWING AND ALL INFORMATION IN IT IS COPYRIGHTED AND BELONGS TO IRVING EQUIPMENT LLC DO NOT COPY/ SEND TO OTHERS UNDER PENALTY OF LAW  
**Sample drawing some items removed. All weights/ dimensions +/- 3%**

Itemref	Quantity	Title/Name, designation, material, dimension etc			Article No./Reference	
Designed by IELLC/ MI	Checked by 127	Approved by - date MI xx-xx-xx	Filename update	Date 5-13-2020	Scale FULL	
PW 400 , 24'-11" BED, T800SH PRELIMINARY SAMPLE ONLY				IRVING EQUIPMENT LLC ©2020		
TIFFIN, OH PH: 419-448-9891				Edition 1.0	Sheet 0100	

**LENGTH: 39'-10"**  
**WIDTH: 8'-6"**  
**HEIGHT: 13'-6"**

**5-1-2020 PRELIMINARY**