

**HEIDEN  
INC**

# **Crane Attachments Log and Pulp Grapples 20 Series Bypass Style (A)**

- **Head Design Good For “Bucking” Logs**
- **High Tensile Steel Throughout**
- **Jaws Are Replaceable And Exchangeable**
- **Heavy Duty 1 1/4” Cylinder Pins**
- **Custom Sizes Available**
- **Made in the USA**



**Heiden Inc.    4624 Expo Drive    Manitowoc, WI 54220**

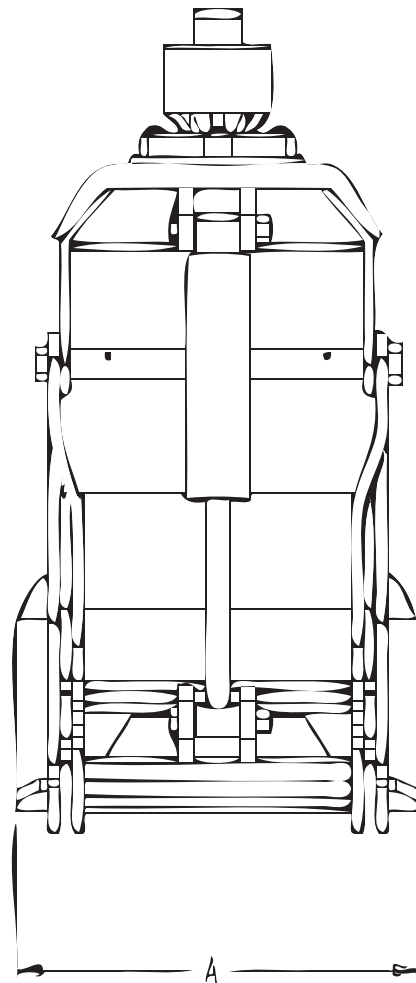
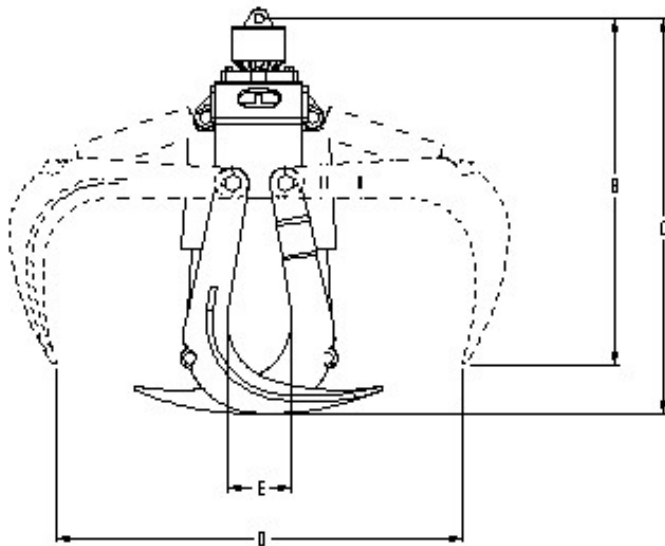
**Phone: 888-682-5779**

**Fax: 920-682-3174**

**[www.heidenco.com](http://www.heidenco.com)**

# 20 Series Bypass Style (A)

Part #	A	B	C	D	E	(Lbs)	Capacity
HC20-A	25.5"	56"	65"	86"	5"	820	1/2 cord
HC20-A-2.5	25.5"	54"	60"	67"	6"	780	2/5 cord
HC20-A-3	25.5"	47"	54"	60"	6"	685	1/3 cord
HC20-A-4	25.5"	44"	50"	50"	6"	645	1/4 cord



Heiden Inc. 4624 Expo Drive Manitowoc, WI 54221

Phone: 888-682-5779

Fax: 920-682-3174

www.heidenco.com