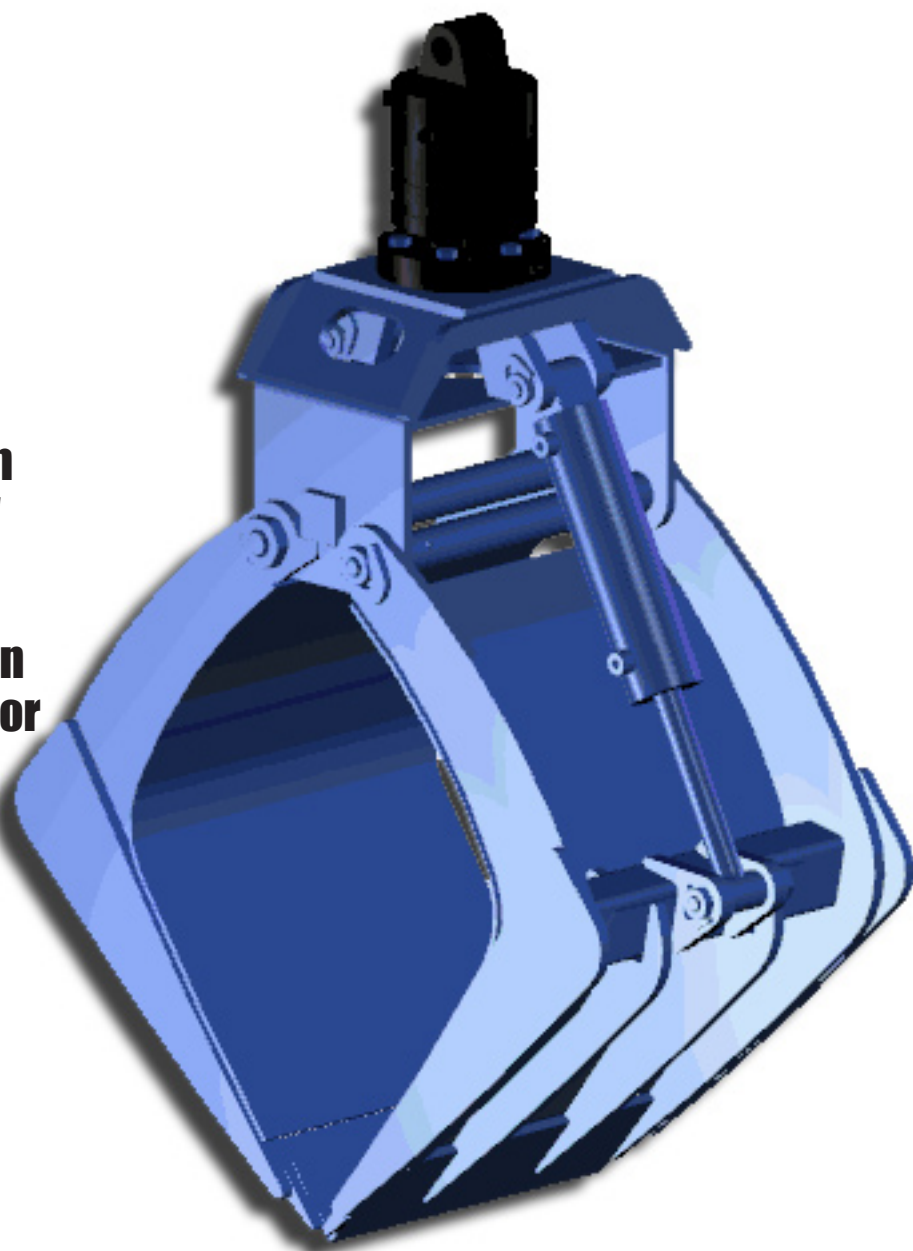


# **Crane Attachments**

## **Butt Railroad Tie Grapple**

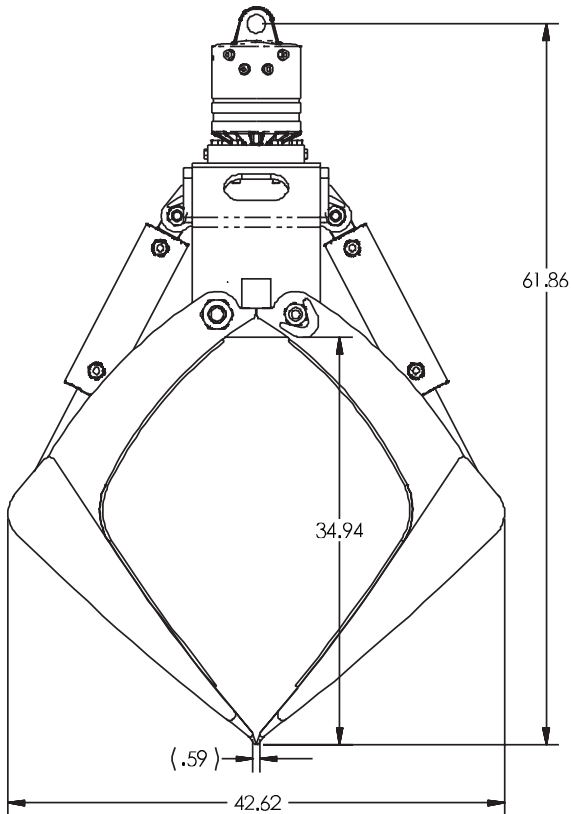
### **20 Series**

- **Straight, reinforced jaw with full wrap design specifically for 4' bundles of ties.**
- **Heiden's Proven Head Design works well for "bucking" ties or logs**
- **Weight appx. 895 lbs.**
- **15 ton rotator standard**
- **Made in USA**

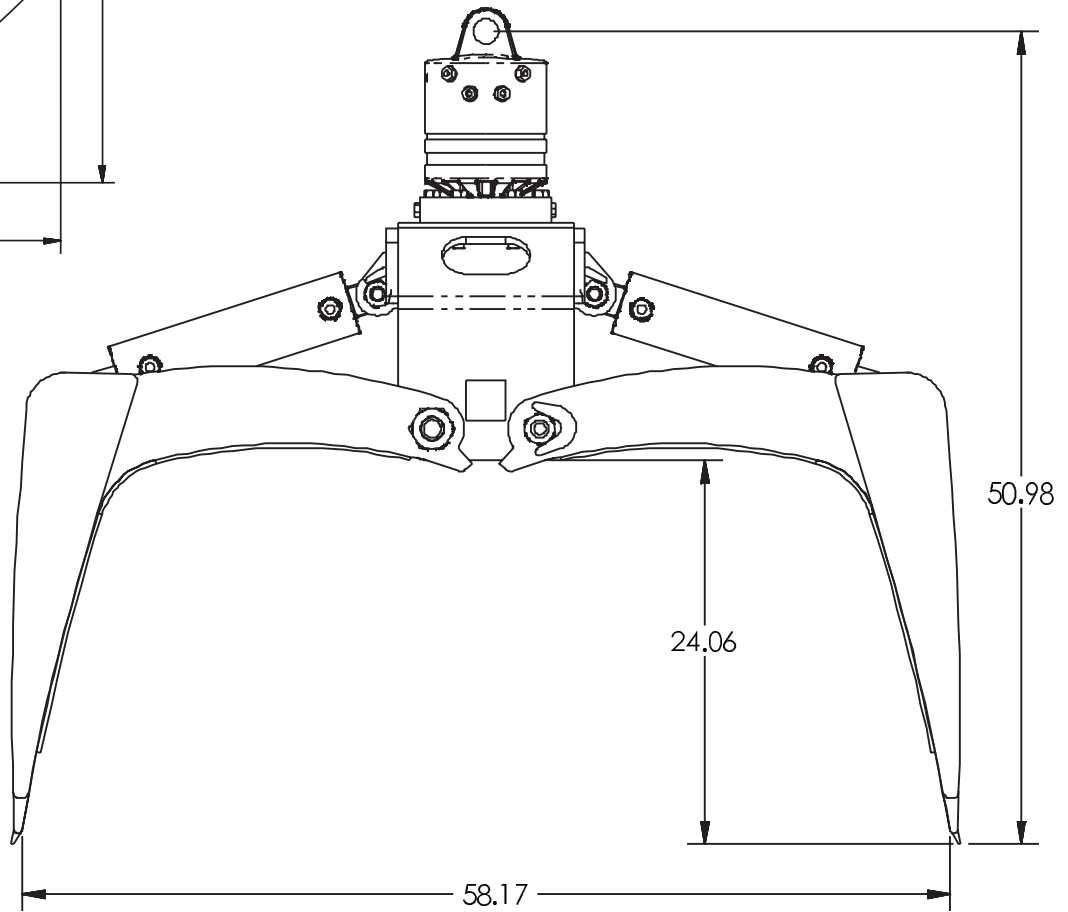
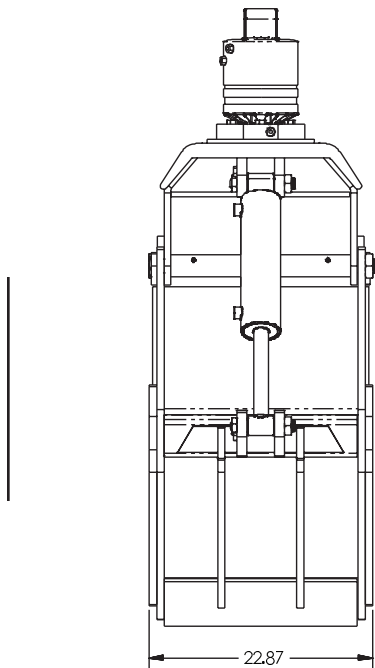


**Heiden Inc.    4624 Expo Drive    Manitowoc, WI 54220**

# Butt Railroad Tie Grapple



•Jaws can be swapped with existing units in field. (Requires stop block as shown on head)



**Heiden Inc. 4624 Expo Drive Manitowoc, WI 54220**

**Phone: 888-682-5779**

**Fax: 920-682-3174**

**www.heidenco.com**