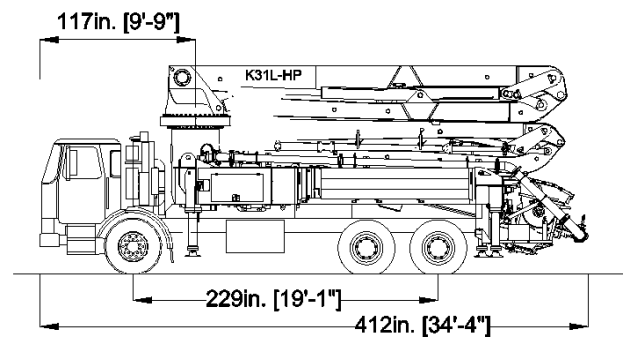
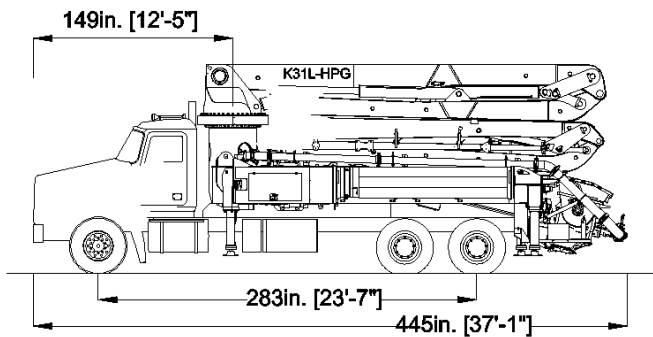


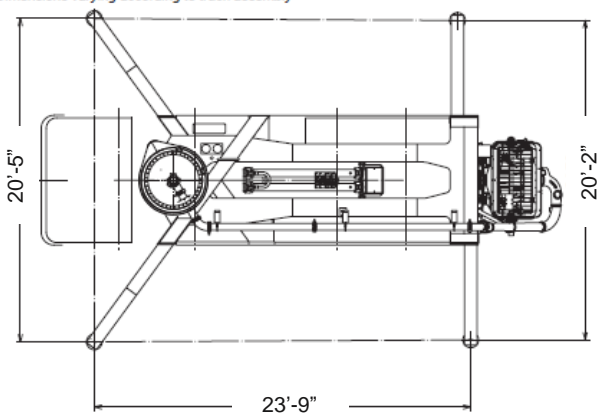
K31L

TRUCK MOUNTED CONCRETE BOOM PUMP

Placing Boom	HRZ-5 31 (31 meter)
Boom Material	Steel
Pumping Cell	HP 1608 EC
Chassis Style	6x4 8x6



Dimensions varying according to truck assembly



K31L

Pumping unit technical data

Model		HP1608EC
Maximum concrete output*	yd ³ /hr	215
Maximum pressure on concrete	psi	1,200
Concrete cylinders (dia. x stroke)	inch	9" x 83"
Concrete hopper capacity	yard	0.72
Hydraulic circuit		Closed

Placing boom technical data

Model		BZ-5 31
Pipeline diameter (125mm)	std	5" m
Maximum vertical reach (30.5m)	feet	100'-0"
Maximum horizontal distance from center of turret (32.2m)	feet	86'-0"
Minimum unfolding height (5.7m)	feet	18'-9"
Number of sections (Z+ fold)		5
1st section opening angle		90
2nd section opening angle		180
3rd section opening angle		240
4th section opening angle		180
5th section opening angle (worm drive)		endless
Rotating angle (ERS)	deg.	540
End hose length (4m)	feet	13'-0"

*Technical data and characteristics subject to modifications without notice



CIFA S.p.A.
A ZOOMLION COMPANY
Senago (Milan), Italy
cfa.com



Irving Equipment LLC.
ph: 419-448-9891
Tiffin, Ohio USA 44883
irvingequipment.net