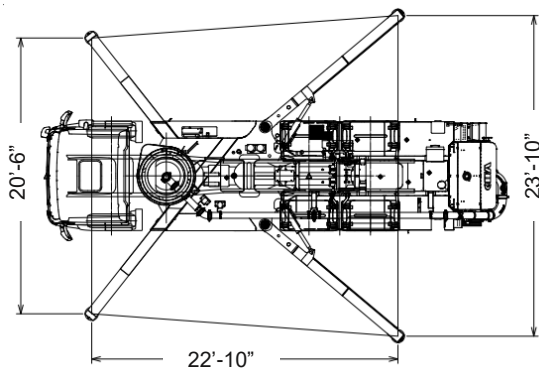
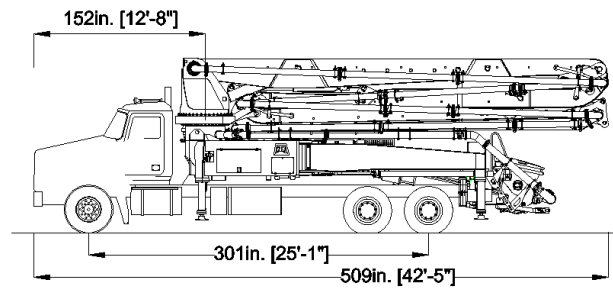
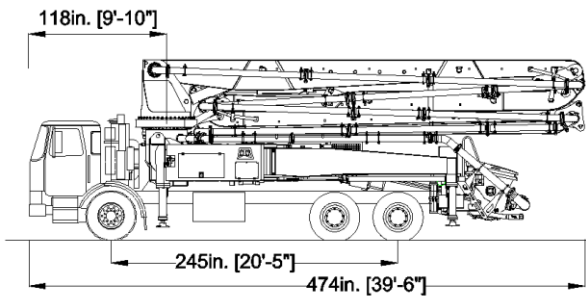


K38L

TRUCK MOUNTED CONCRETE BOOM PUMP

| | |
|---------------|-------------------|
| Placing Boom | X4Z 38 (38 meter) |
| Boom Material | Steel |
| Pumping Cell | HP 1608 EC |
| Chassis Style | 6x4 8x6 |



K38L

Pumping unit technical data

| | | |
|------------------------------------|--------------------------|-----------------|
| Model | | HP1608EC |
| Maximum concrete output* | <i>yd³/hr</i> | 215 |
| Maximum pressure on concrete | <i>psi</i> | 1,200 |
| Concrete cylinders (dia. x stroke) | <i>inch</i> | 9" x 83" |
| Concrete hopper capacity | <i>yard</i> | 0.72 |
| Hydraulic circuit | | Closed |

Placing boom technical data

| | | |
|-----------------------------------------------------------|-------------|---------------|
| Model | | X4Z 38 |
| Pipeline diameter (125mm) | <i>std</i> | 5" m |
| Maximum vertical reach (37.6m) | <i>feet</i> | 123'-5" |
| Maximum horizontal distance from center of turret (33.4m) | <i>feet</i> | 109'-7" |
| Minimum unfolding height (9.1m) | <i>feet</i> | 29'-9" |
| Number of sections (Z fold) | | 4 |
| 1st section opening angle | | 90 |
| 2nd section opening angle | | 180 |
| 3rd section opening angle | | 240 |
| 4th section opening angle | | 245 |
| Rotating angle (ERS) | <i>deg.</i> | 540 |
| End hose length (3m) | <i>feet</i> | 10'-0" |

*Technical data and characteristics subject to modifications without notice



CIFA S.p.A.
A ZOOMLION COMPANY
Senago (Milan), Italy
cfa.com



Irving Equipment LLC.
ph: 419-448-9891
Tiffin, Ohio USA 44883
irvingequipment.net