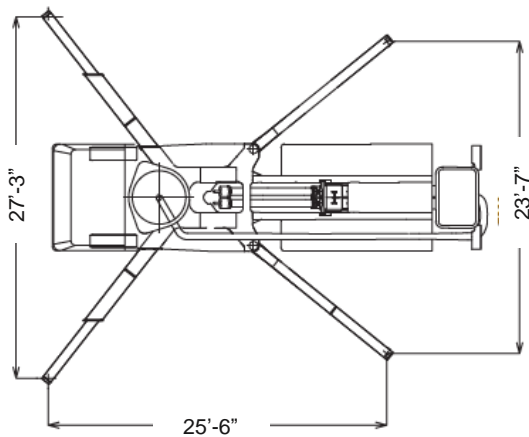
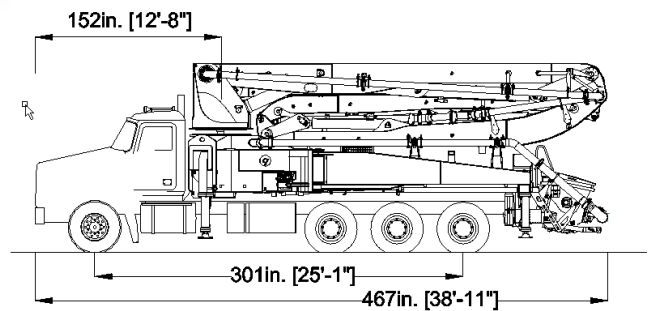
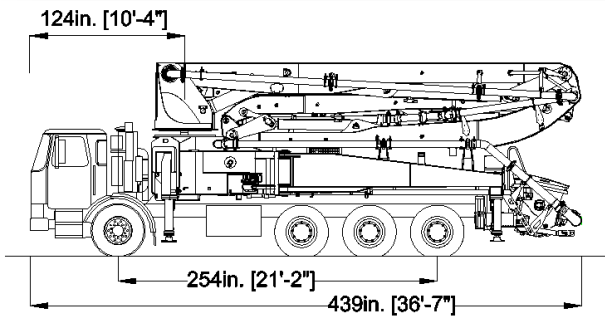


K42L

TRUCK MOUNTED CONCRETE BOOM PUMP

Placing Boom	HRZ-5 42 (42 meter)
Boom Material	Steel
Pumping Cell	HP 1608 EC
Chassis Style	8x4 8x6



K42L

Pumping unit technical data

Model		HP1608EC
Maximum concrete output*	yd ³ /hr	215
Maximum pressure on concrete	psi	1,200
Concrete cylinders (dia. x stroke)	inch	9" x 83"
Concrete hopper capacity	yard	0.72
Hydraulic circuit		Closed

Placing boom technical data

Model		HRZ-5 42
Pipeline diameter (125mm)	std	5" m
Maximum vertical reach (41.1m)	feet	134'-10"
Maximum horizontal distance from center of turret (36.8m)	feet	120'-8"
Minimum unfolding height (8.8m)	feet	28'-9"
Number of sections (Z-R fold)		5
1st section opening angle		90
2nd section opening angle		180
3rd section opening angle		180
4th section opening angle		240
5th section opening angle		245
Rotating angle (ERS)	deg.	540
End hose length (4m)	feet	13'-0"

*Technical data and characteristics subject to modifications without notice



CIFA S.p.A.
A ZOOLION COMPANY
Senago (Milan), Italy
cfa.com



Irving Equipment LLC.
ph: 419-448-9891
Tiffin, Ohio USA 44883
irvingequipment.net