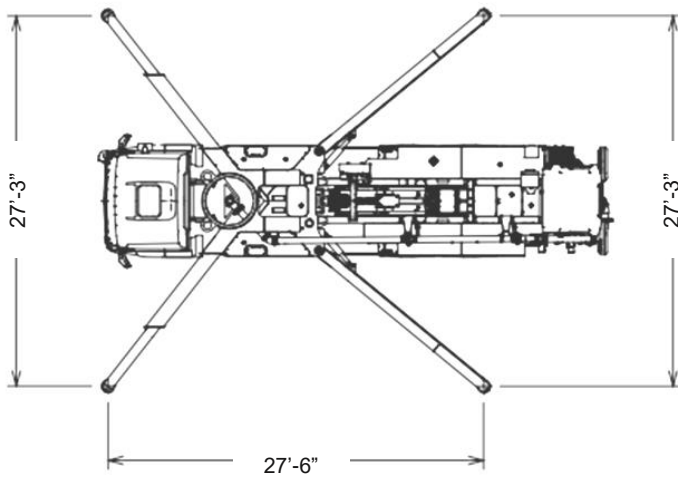
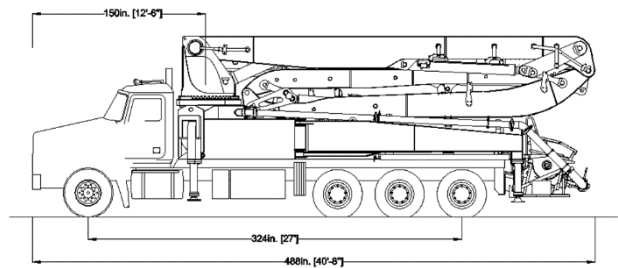
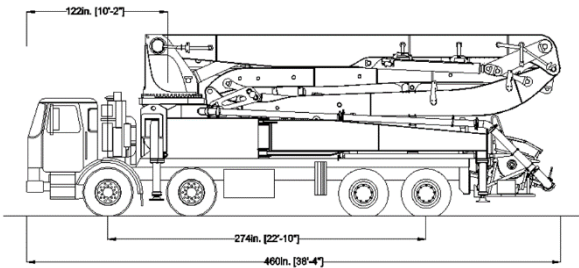


K45H

TRUCK-MOUNTED CONCRETE BOOM PUMP

Placing Boom	HRZ-5 45
Boom Material	Steel/ Carbon Fiber
Pumping Cell	HP 1608 EC
Chassis Style	8x4 8x6



K45H

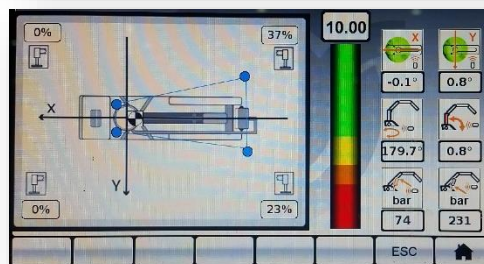
Pumping unit technical data

Model		HP1608EC
Maximum concrete output*	<i>yd³/hr</i>	21Z5
Maximum pressure on concrete	<i>psi</i>	1,200
Concrete cylinders (dia. x stroke)	<i>inch</i>	9" x 83"
Concrete hopper capacity	<i>yard</i>	0.72
Hydraulic circuit		Closed

Placing boom technical data

Model		HRZ-5 45
Pipeline diameter (125mm)	<i>std</i>	5" m
Maximum vertical reach (44.5m)	<i>feet</i>	144'-7"
Maximum horizontal distance from center of turret (41.0m)	<i>feet</i>	130'-6"
Minimum unfolding height (8.0m)	<i>feet</i>	26'-6"
Number of sections (Z-R fold)		5
1st section opening angle		90
2nd section opening angle		180
3rd section opening angle		180
4th section opening angle		240
5th section opening angle		230
Rotating angle (ERS)	<i>deg.</i>	540
End hose length (3m)	<i>feet</i>	10'-0"

Technical data and characteristics subject to modifications without notice



CIFA S.p.A.
A ZOOMLION COMPANY
Senago (Milan), Italy
cfa.com



Irving Equipment LLC.
PH: 419-448-9891
Tiffin, Ohio USA 44883
irvingequipment.net