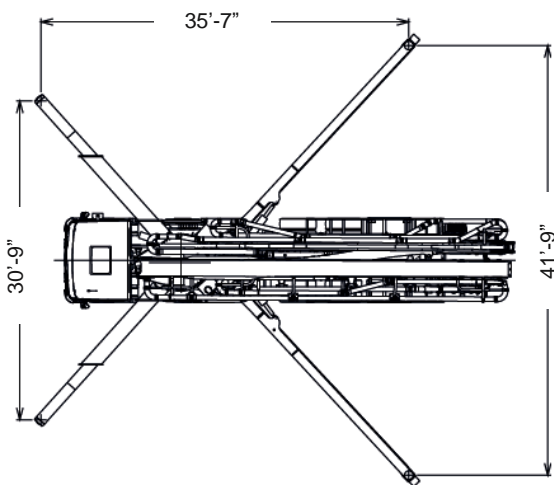


K60H

TRUCK-MOUNTED CONCRETE BOOM PUMP

Placing Boom	HRRZ-6 60
Boom Material	Steel/ Carbon Fiber
Pumping Cell	HP 1608 ECX
Chassis Style	14x8 12x6



K60H



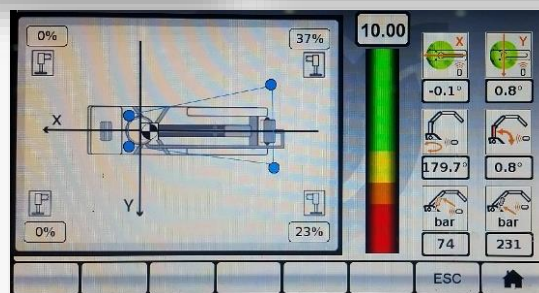
Pumping unit technical data

Model	HP1608ECX	
Maximum concrete output*	<i>yd³/hr</i>	240
Maximum pressure on concrete	<i>psi</i>	1,200
Concrete cylinders (dia. x stroke)	<i>inch</i>	10" x 83"
Concrete hopper capacity	<i>yard</i>	0.72
Hydraulic circuit	Closed	

Placing boom technical data

Model	HRRZ 6-60	
Pipeline diameter (125mm)	<i>std</i>	5" m
Maximum vertical reach (59.1m)	<i>feet</i>	193'-10"
Maximum horizontal distance from center of turret (55.1m)	<i>feet</i>	177'-6"
Minimum unfolding height (14.1m)	<i>feet</i>	46'-6"
Number of sections (R-R-Z fold)	6	
1st section opening angle	90	
2 nd , 3 rd 4 th , 5 th section opening angle	180	
6 th section opening angle	210	
Double wall pipe (CLLP)	Yes	
Stability control	Yes	
Rotating angle (ERS)	<i>deg.</i>	540
End hose length (3m)	<i>feet</i>	10'-0"

Technical data and characteristics subject to modifications without notice



CIFA S.p.A.
 A ZOOMLION COMPANY
 Senago (Milan), Italy
 cfa.com



Irving Equipment LLC.
 PH: 419-448-9891
 Tiffin, Ohio USA 44883
 irvingequipment.net